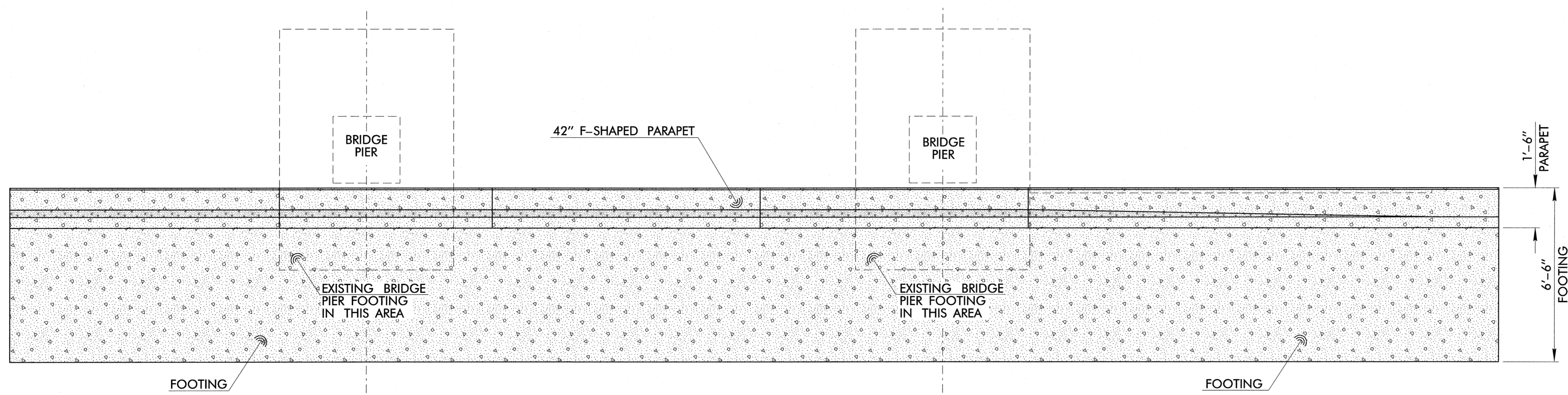
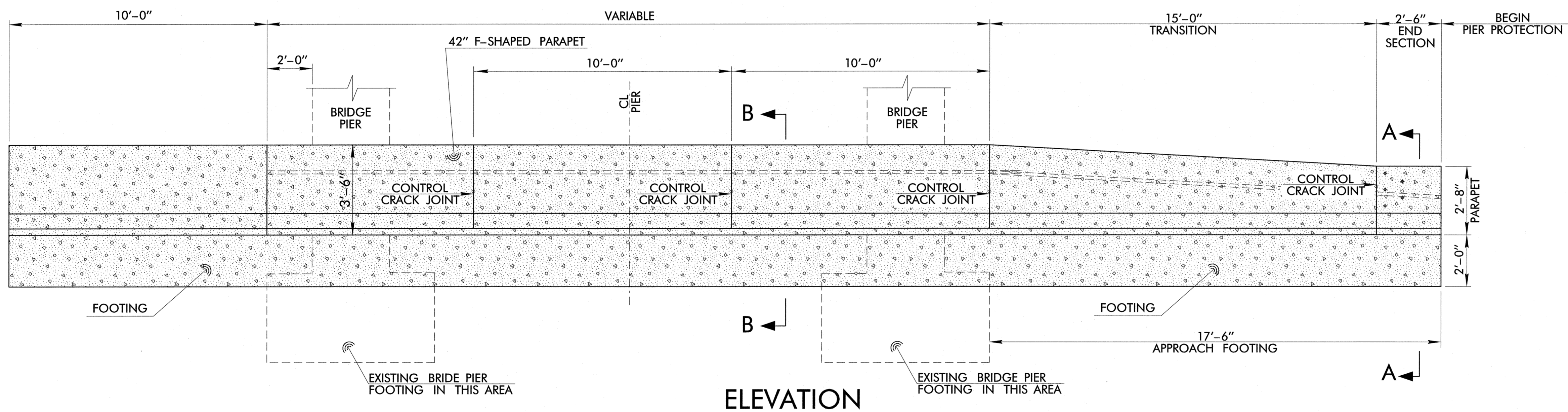


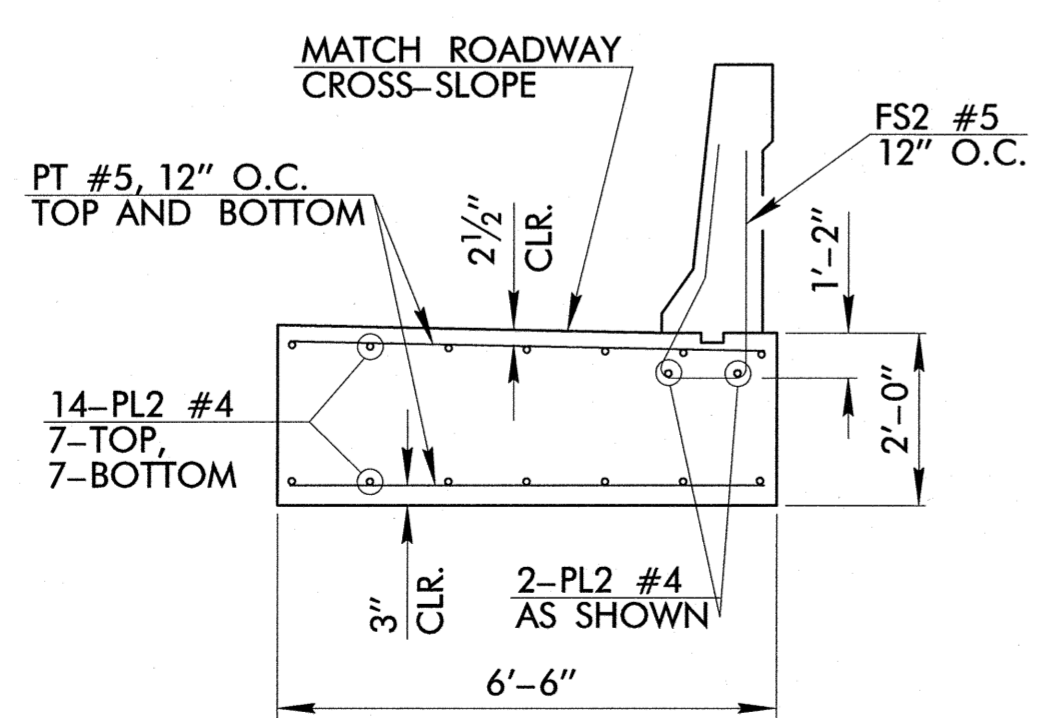
DESCRIPTION	REVISIONS	DATE



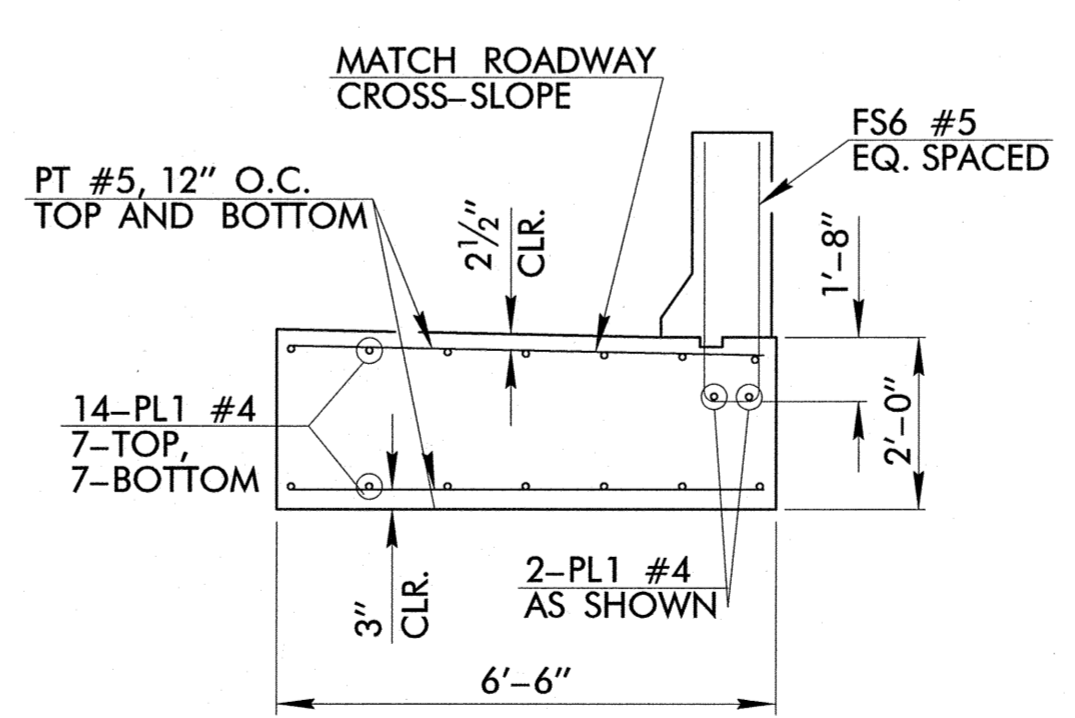
PLAN



ELEVATION



SECTION B-B



SECTION A-A

PIER PROTECTION NOTES

CONSTRUCT THE CONCRETE PARAPET AND FOOTING TO MEET THE REQUIREMENTS OF THE STANDARD SPECIFICATIONS FOR HIGHWAY CONSTRUCTION IN A MANNER APPROVED BY THE ENGINEER, AS WELL AS THE FOLLOWING REQUIREMENTS.

ALL FOOTING BELOW THE 42" F-SHAPED PARAPET WILL BE PAID FOR WITH UNCLASSIFIED EXCAVATION, CLASS AA CONCRETE, EPOXY COATED REINFORCING STEEL.

ALL COSTS ASSOCIATED WITH SAW-CUTTING, EXCAVATION, CONTROL CRACK JOINTS, EXPANSION JOINT, AND OTHER INCIDENTALS SHALL BE INCLUDED IN THE PRICE BID OF 42" F-SHAPED PARAPET".

FORM OR DRILL HOLES, AS SHOWN, FOR THE CONNECTION OF THE GUARDRAIL BRIDGE CONNECTION BEAM (31" END SHOE) AT LOCATION SHOWN IN THE PLANS OR AS DIRECTED BY THE ENGINEER. SEE STD GBCA-1-(LATEST REVISION).

ALL DIMENSIONS OF EXISTING STRUCTURES MUST BE FIELD VERIFIED.

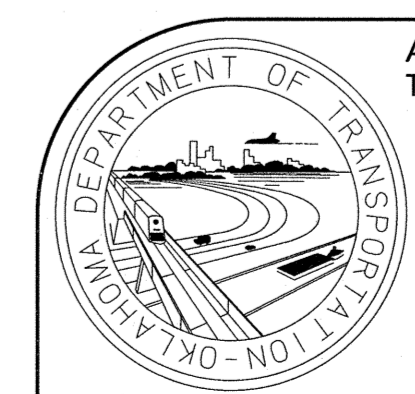
FOR DETAILS OF F-SHAPED PARAPET, INCLUDING FS2 AND FS6 BAR DETAILS, SEE STD. FSHP-42-2

BAR LIST ONE PARAPET

MARK	SIZE	NUMBER	FORM	LENGTH
EPOXY COATED				
PL1	#4	16	STR.	17'-2"
PL2	#4	16	STR.	14'-8"
PT	#5	62	STR.	6'-4"
FS1	#5	10	BNT.	6'-3"
FS2	#5	34	BNT.	7'-4"
FS3	#5	10	BNT.	4'-9"
FS6	#5	28	BNT.	7'-6 1/2"

BASIS OF PAYMENT

ITEM NO.	ITEM	UNIT
202 (A)	UNCLASSIFIED EXCAVATION	CY
504 (E)	42" F-SHAPED PARAPET	LF
509 (A)	CLASS AA CONCRETE	CY
511 (B)	EPOXY COATED REINF. STEEL	LB



APPROVED BY TRAFFIC ENGINEER: *David Smith* DATE: 4/9/12

TRAFFIC STANDARD

CONCRETE PIER PROTECTION (4-LANE DIVIDED ONLY)