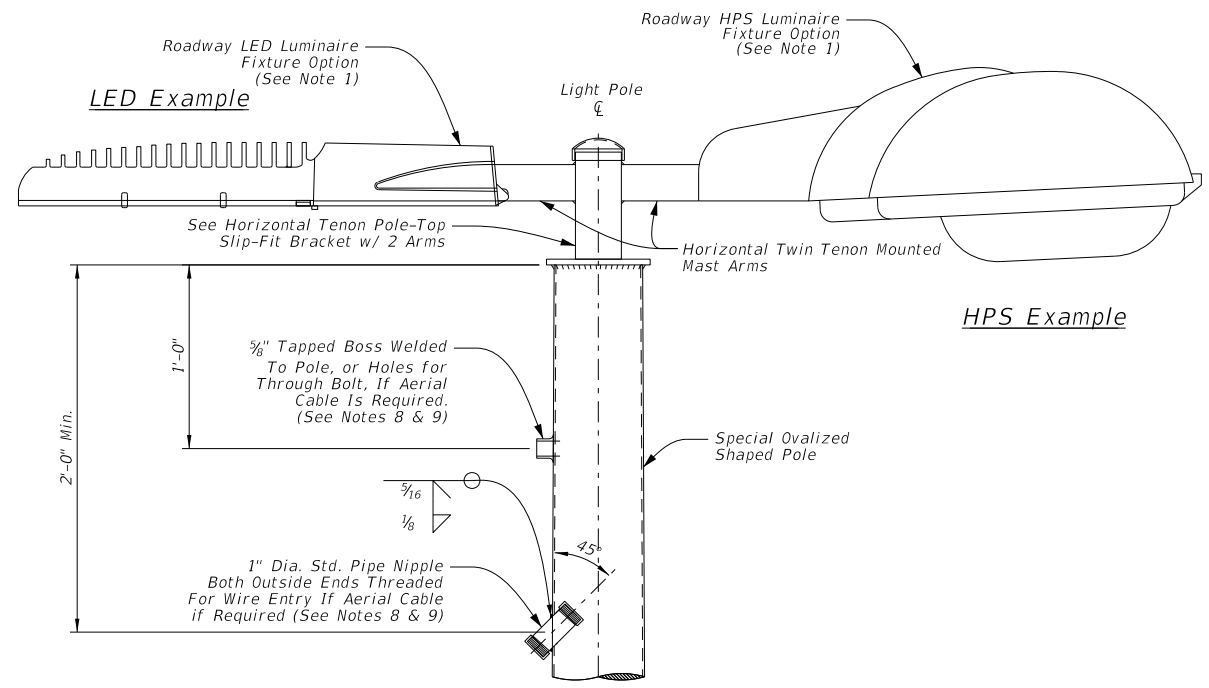


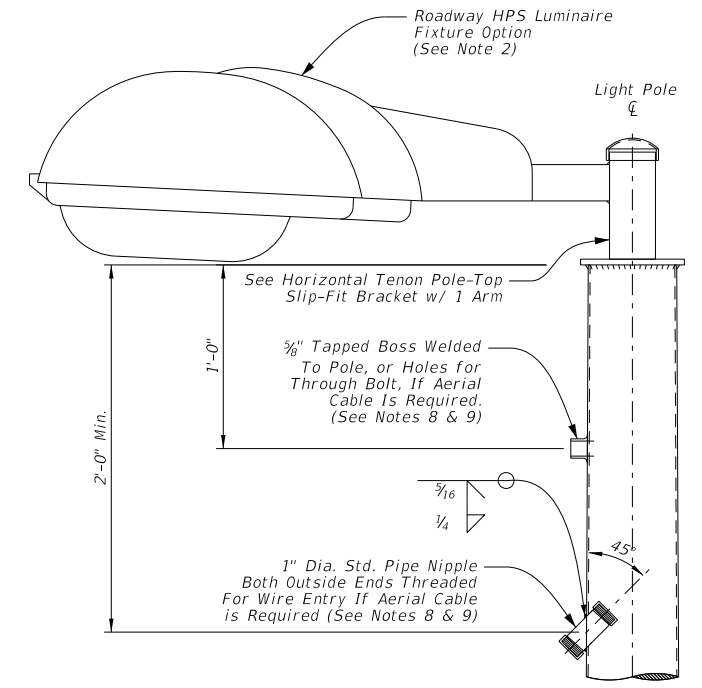
REVISIONS		
REV. NO.	DESCRIPTION	DATE
various		09/05/2018

**General Notes:**

- Luminaires shall be 400 W HPS Type IV, or LED equivalent, roadway luminaires similar to the Holophane Mongoose luminaire Model G400HP48LSCHGB, or approved equal for freeway applications. See Standard HLD1-2 and HLD2-2 (Latest Revision) for more details.
- Luminaires shall be 250 W HPS Type IV, or LED equivalent, roadway luminaires similar to the Holophane Mongoose luminaire Model G250HP48LSCHGB, or approved equal for ramp applications. See Standard HLD1-2 AND HLD2-2 (Latest Revision) for more details.
- Handholes on centerline poles shall be mounted on the same side as pole number. All pole numbers and handholes shall face the same direction.
- Dimensional limits are given to show acceptable variation in design. All of a fabricator's production of a particular arm length shall have the same dimensions within specified tolerances.
- Each pole arm plate shall be supplied with bolts and lock washers of the size specified. The bolts and lock washers shall be secured to the pole with the other hardware items called for in the plans.
- Proposed deviations in arm connector dimensions or materials must be submitted to the Department for approval.
- The handhole reinforcement shall be welded to the pole shaft in the 0 deg. location unless otherwise specified, prior to galvanizing the pole shaft.
- When aerial conductors are required, the pole shall be designed to meet the loading requirements of the National Electric Safety Code (NESC Latest Edition) for the aerial cable specified. Submit design and calculations for approval confirming the standard pole design is adequate for aerial cable installation or submit design and calculations for an optional pole design for approval.
- All poles with aerial conductors shall be equipped with a handhole and should not be installed on a breakaway base.
- If aerial conductors are specified, construct the items as shown.



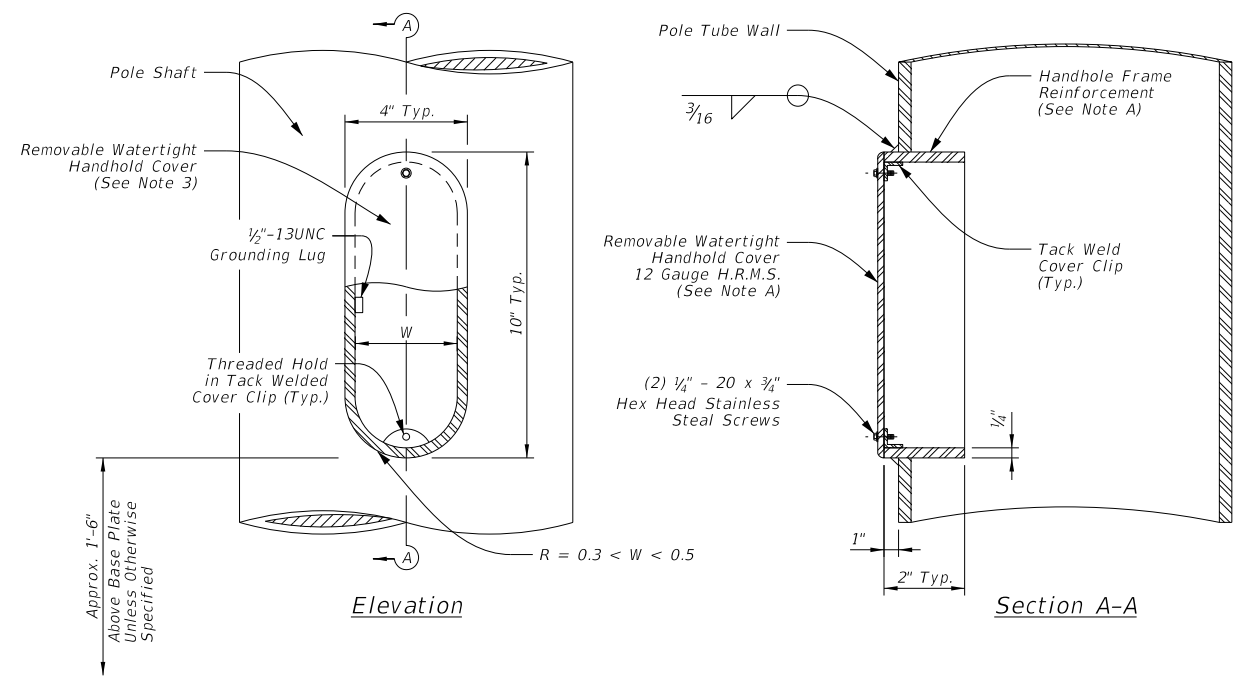
Typical Mongoose Fixtures Mounted On Twin Horizontal Tenon Mast Arm Light Pole Details



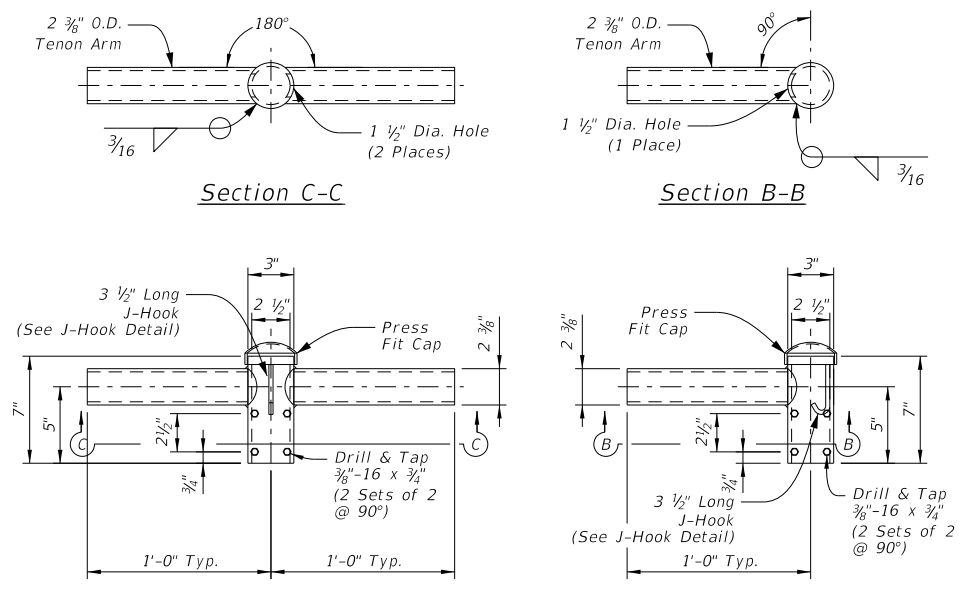
Typical Mongoose Fixtures Mounted On Single Horizontal Tenon Mast Arm Light Pole Details

**Material Specifications**

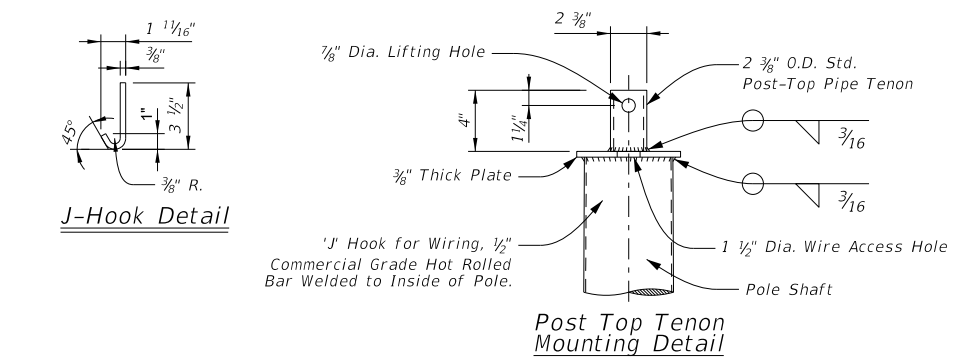
- The handhole reinforcement shall be forged from steel conforming to ASTM A-576, Grade 1021; fabricated from 1/4" wall tubing conforming to ASTM A-36; or cast from steel conforming to ASTM A-27, Grade 65-35. The handhole cover shall be 12 gauge H.R.M.S. galvanized according to ASTM A-153, and equipped with two (2) AISI 302 stainless steel 1/4" - 20 x 3/4" hex cap screws and two (2) captive washers. Handhole cover to have neoprene gasket.
- Any of the materials listed for plates may be used where the drawings do not specify a particular ASTM designation.
- A576 must be suitable for forging and also meet minimum tensile strength of 65 ksi, minimum yield of 35 ksi, and elongation in 2 inches of 22 percent.
- A572, A1008 HSLAS-F, and A1011 HSLAS-F, materials may have higher yield strengths but shall not have less elongation than the grade indicated.



Handhole Details Approx. Size (10" X 4")



Horizontal Tenon Pole-Top Slip-Fit Bracket w/ 2 Arms and Horizontal Tenon Pole-Top Slip-Fit Bracket w/ 1 Arm



Post Top Tenon Mounting Detail

Approved By Bridge Engineer: *SK* Date: 9-14-18  
 Approved By Traffic Engineer: *CJ* Date: 9/28/18

**DOT** Traffic Standard  
 Typical Highway Light Pole Tenon Arm with Mongoose Fixture