

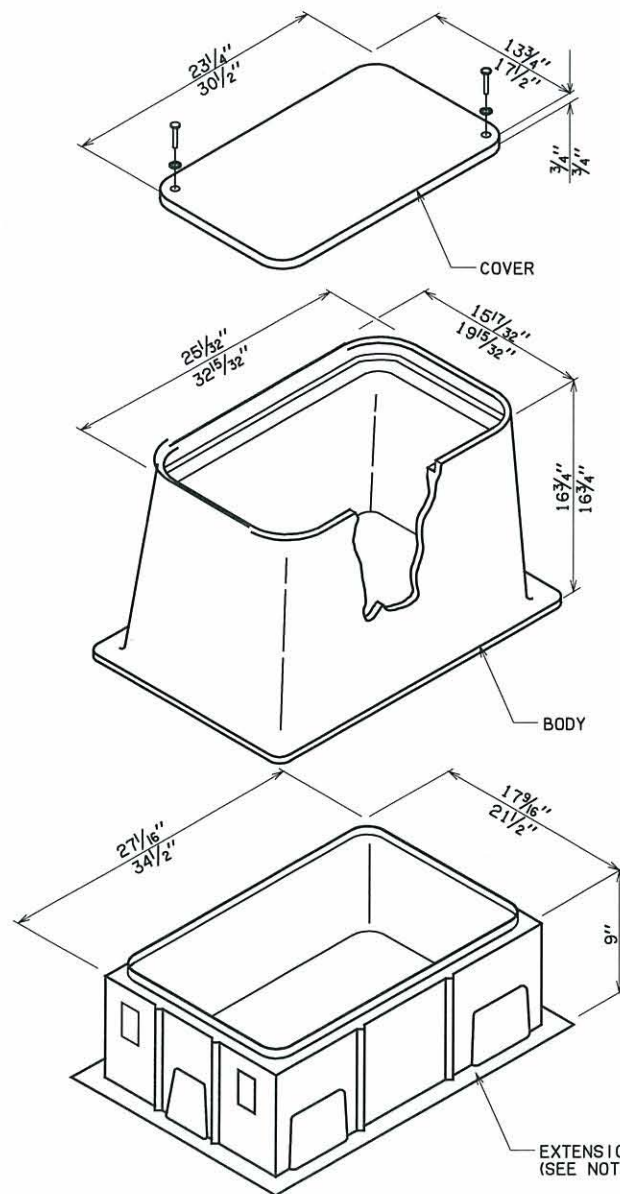
DESCRIPTION	REVISIONS	DATE
-------------	-----------	------

**MATERIAL SPECIFICATIONS**

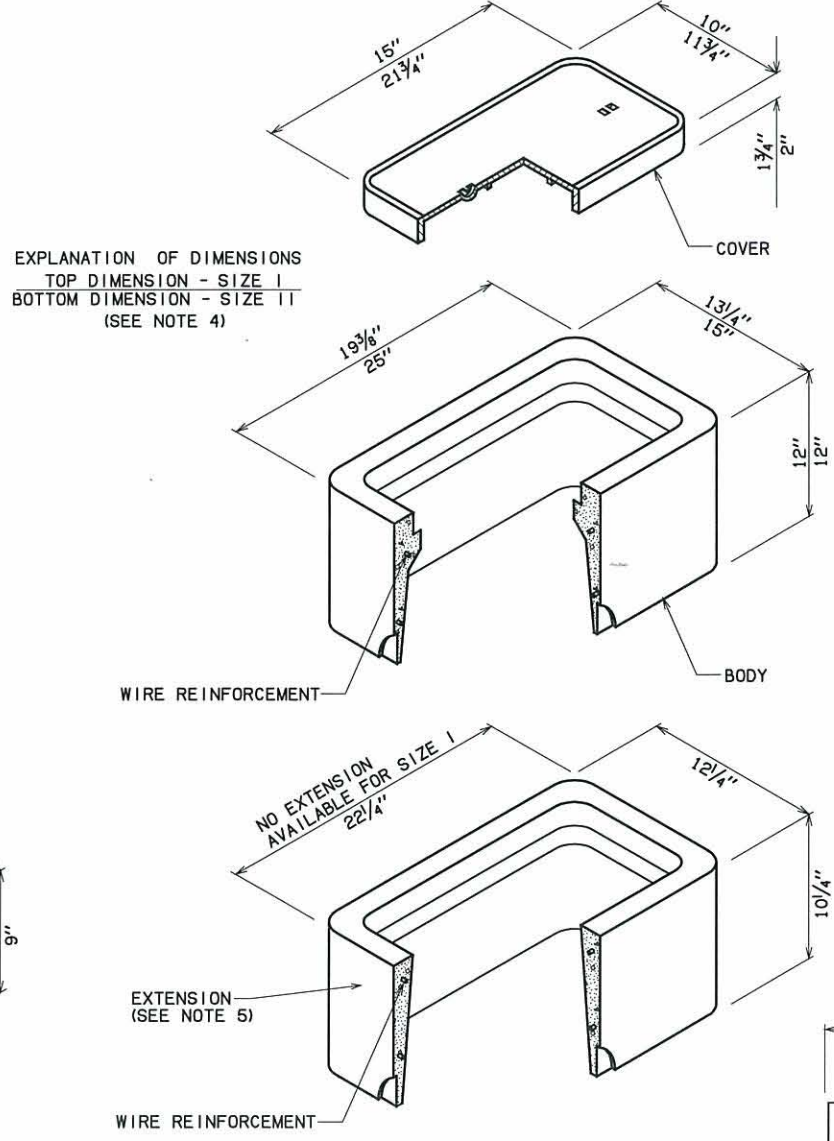
- A. THE PRE-CAST CONCRETE BODY AND THE PRE-CAST REINFORCED PLASTIC PULL BOX BODY AND COVER SHALL CONFORM TO THE 2009 STANDARD SPECIFICATIONS OR SPECIAL PROVISIONS.
- B. THE GRAY IRON CAST COVER & ELECTRICAL CONDUITS SHALL CONFORM TO THE 2009 STANDARD SPECIFICATIONS.
- C. THE CONCRETE APRON SHALL BE CLASS "A" CONCRETE.
- D. THE GRAVEL OR CRUSHED ROCK BASE SHALL BE CLEAN, TOUGH, DURABLE, PRACTICALLY FREE FROM CLAY OR OTHER FOREIGN SUBSTANCES AND SHALL PASS A 5/8" SIEVE 100%.
- E. THE WIRE REINFORCEMENT SHALL BE 9 GAUGE WELDED WIRE FABRIC.

**GENERAL NOTES**

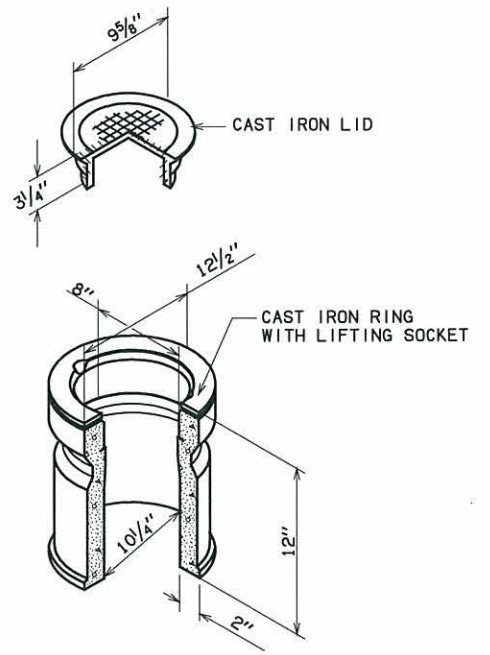
- 1. IF SPECIFIED IN THE PLANS, A GROUND ROD SHALL BE INSTALLED AND ALL COSTS SHALL BE INCLUDED IN THE UNIT PRICE BID FOR THE "PULL BOX".
- 2. THE PULL BOX SHALL BE BUILT TO FIT THE EXISTING FIELD CONDITION AND BE PRESENTED WITH A NEAT WORKMAN LIKE APPEARANCE. EACH PULL BOX SHALL BE INSTALLED WITH THE APPROPRIATE SIZED CONCRETE APRON. IF THE PULL BOX IS TO BE INSTALLED IN A SIDEWALK OR OTHER PAVED AREA, NO APRON WILL BE REQUIRED UNLESS OTHERWISE DIRECTED BY THE ENGINEER.
- 3. THE PULL BOX COVER SHALL HAVE THE APPROPRIATE LEGEND. WHEN A PULL BOX IS INSTALLED BY THE GRADING OR SURFACING CONTRACTOR THE LEGEND FOR THE COVER SHALL READ "TRAFFIC SIGNALS", UNLESS OTHERWISE SPECIFIED IN THE PLANS. OTHER APPROPRIATE LEGENDS ARE: "HIGHWAY LIGHTING", "STREET LIGHTING", "DANGER", ETC... NO ADVERTISING OTHER THAN THE MANUFACTURERS LOGO WILL BE ALLOWED ON THE PULL BOX COVER.
- 4. THE DIMENSIONS FOR THE PULL BOXES ARE NOMINAL AND MAY VARY SLIGHTLY BY THE MANUFACTURER'S DESIGN.
- 5. PULL BOX BODY EXTENSIONS SHALL BE INSTALLED BELOW THE PULL BOX BODY AT THE LOCATION SHOWN IN THE PLANS.
- 6. THE COST OF THE CONCRETE APRON AND GRAVEL SHALL BE INCLUDED IN THE UNIT PRICE BID FOR THE PULL BOX UNLESS OTHERWISE SPECIFIED.
- 7. A CIRCULAR CONCRETE APRON MAY BE USED IN LIEU OF THE SQUARE APRON SHOWN PROVIDING THE 1'-0" MINIMUM CLEARANCE IS MAINTAINED.
- 8. THE CONCRETE APRON THICKNESS AND SIZE MAY BE ALTERED AT THE DIRECTION OF THE ENGINEER. IF ALTERED, THE ADDITIONAL CONCRETE WILL BE PAID FOR AS "STRUCTURAL CONC." C.Y.
- 9. THE NUMBER, SIZE, TYPE AND LOCATION OF THE CONDUIT STUBS FOR FUTURE CONDUIT RUNS SHALL BE AS SHOWN ON THE PLANS, SEE STANDARD CCD1-1-(LATEST REVISION).
- 10. CONDUCTORS HAVING UNLIKE VOLTAGES SHALL HAVE SEPARATE CONDUITS AND PULL BOXES.
- 11. FOR BENDING RADIUS OF CONDUIT, SEE STANDARD CCD1-1-(LATEST REVISION).
- 12. A CONCRETE APRON SHALL BE INSTALLED AROUND ANY RESET PULLBOX OR EXISTING PULLBOX THAT DOES NOT HAVE AN APRON OR IS NOT INSTALLED IN A PAVED AREA. THE CONCRETE AND THE INSTALLATION OF THE APRON SHALL BE PAID FOR IN OTHER ITEMS OF WORK.



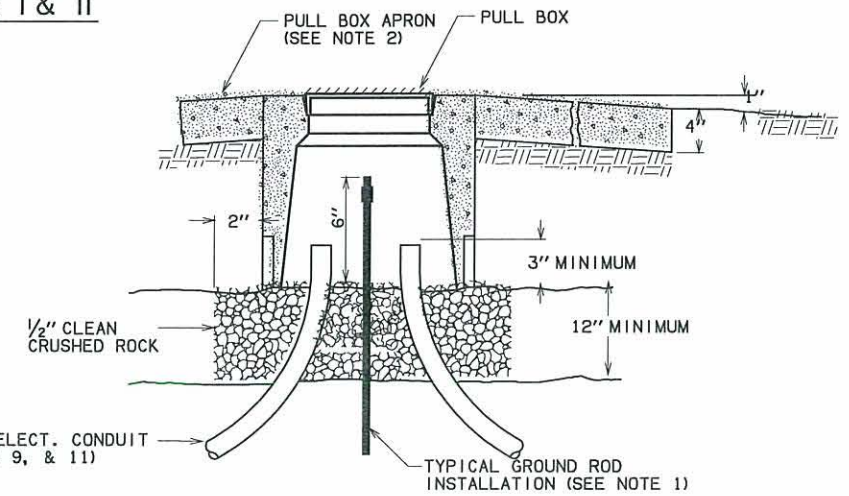
**PLASTIC PULL BOX  
SIZE I & II**



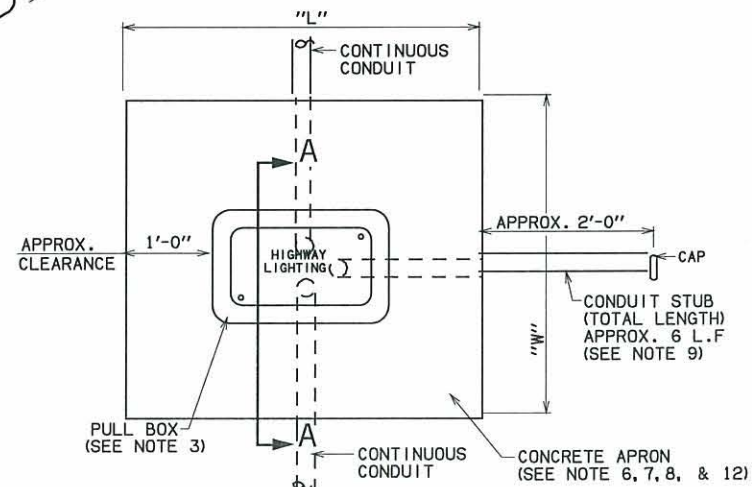
**CONCRETE PULL BOX  
SIZE I & II**



**CONCRETE PULL BOX  
SIZE III**



**SECTION "A-A"**

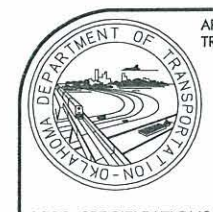


PULL BOX SIZE	"L"	"W"	CLASS "A" CONCRETE C.Y. **
I	3'-6"	3'-6"	.13
II	4'-0"	4'-0"	.17
III	3'-0"	3'-0"	.11

**PULL BOX APRON AND CONDUIT STUB DETAIL**

\*\*FOR INFORMATION ONLY

BASIS OF PAYMENT		
ITEM NO.	ITEM	UNIT
803(A)	PULL BOX	EA



APPROVED BY  
TRAFFIC ENGINEER *David Smart* DATE: 01/15/10  
TRAFFIC STANDARD

**TYPICAL PULL BOX DETAILS**