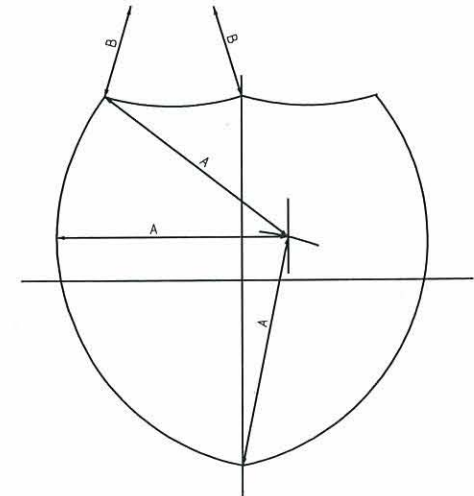
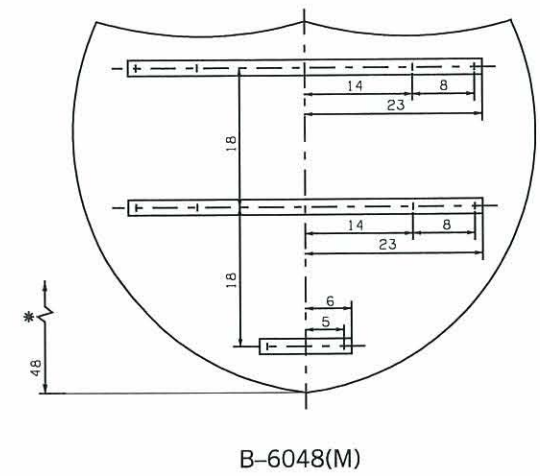
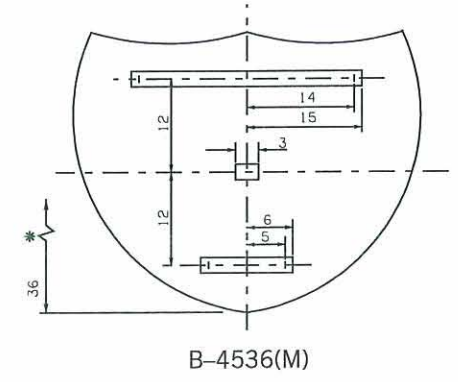
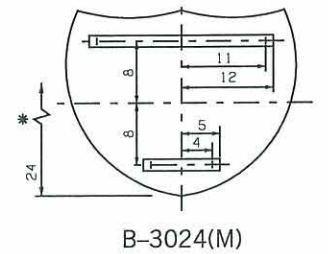
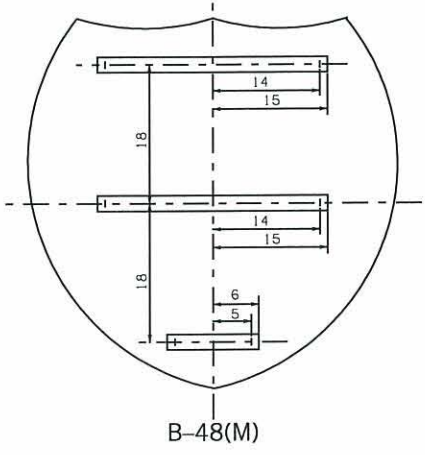
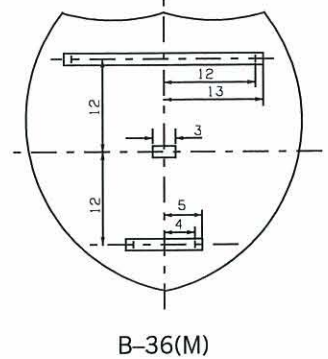
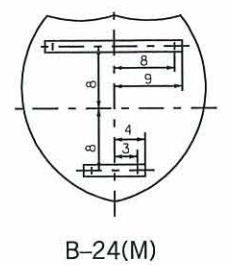
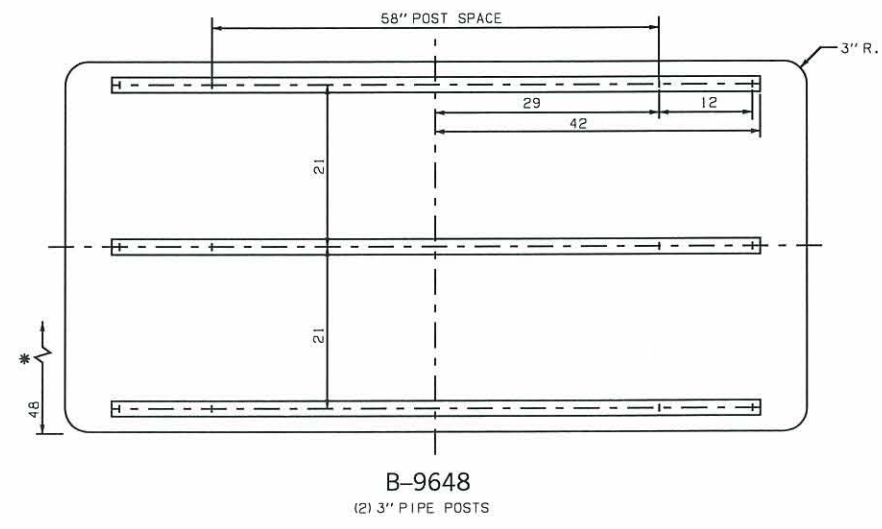
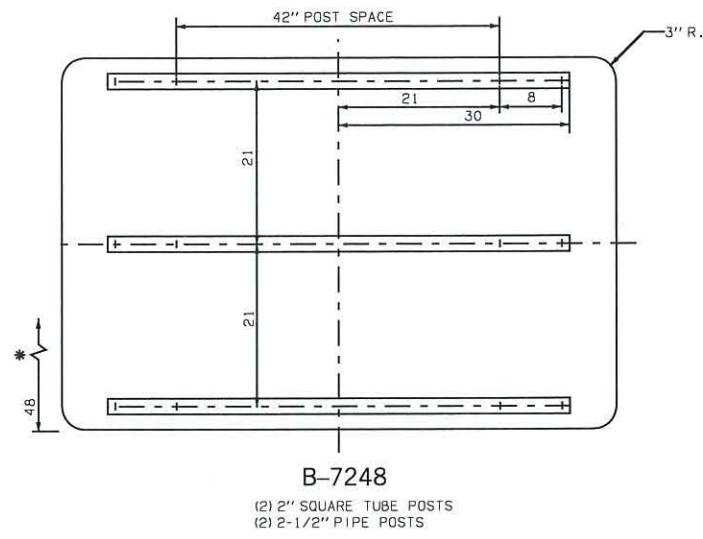
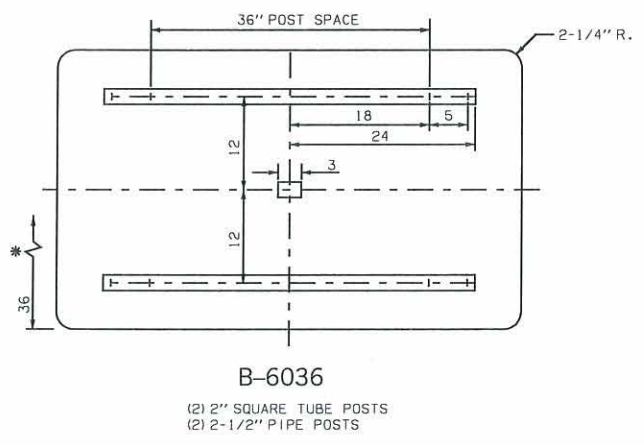
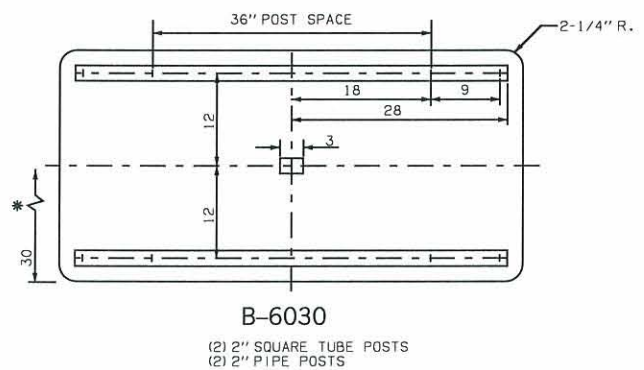
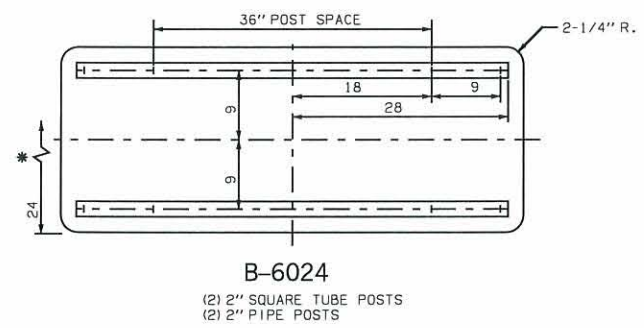
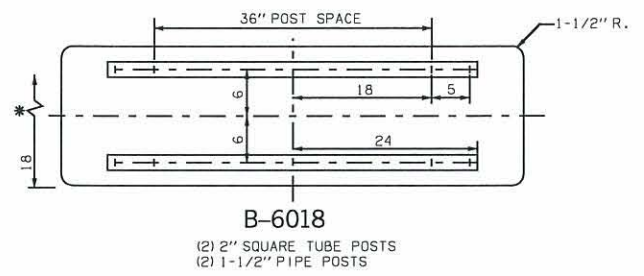
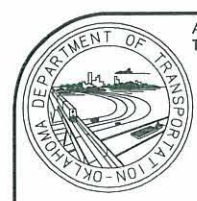


DESCRIPTION	REVISIONS	DATE
-------------	-----------	------



	A (in)	B (in)
24" X 24"	15	15
30" X 24"	17	24
36" X 36"	22-1/2	22-1/2
45" X 36"	25-1/2	36
48" X 48"	30	30
60" X 48"	34	48

NOTES:
 BRACKET ARMS SHOWN ARE FOR SIGNS INDIVIDUALLY MOUNTED.
 * ALL POSTS SHALL EXTEND 2" ABOVE THE TOP SIGN BRACKET, BUT NOT ABOVE THE TOP OF SIGN.
 ALL DIMENSIONS ARE IN INCHES UNLESS OTHERWISE SPECIFIED.



APPROVED BY
 TRAFFIC ENGINEER: *David Smith* DATE: *8/2/10*
 TRAFFIC STANDARD

SIGN BLANK AND BRACKET DETAILS