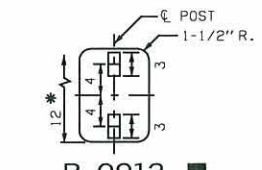
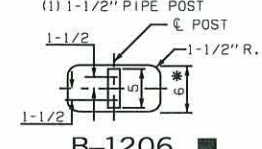


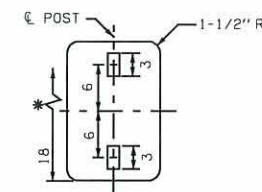
DESCRIPTION	REVISIONS	DATE
-------------	-----------	------



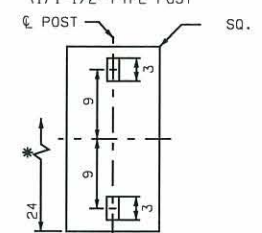
B-0912
 (1) 2" SQUARE TUBE POST
 (1) 1-1/2" PIPE POST



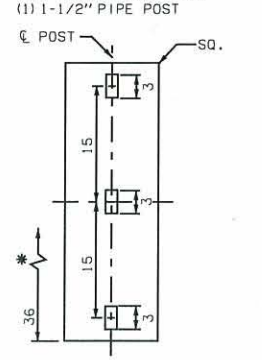
B-1206



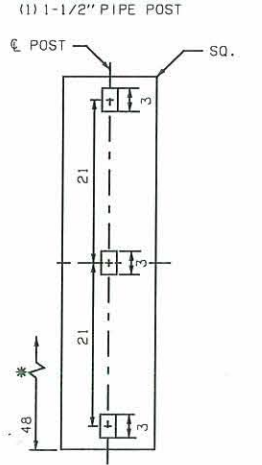
B-1218
 (1) 2" SQUARE TUBE POST
 (1) 1-1/2" PIPE POST



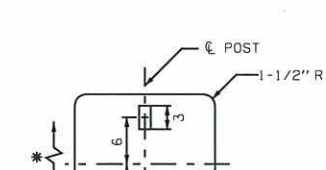
B-1224
 (1) 2" SQUARE TUBE POST
 (1) 1-1/2" PIPE POST



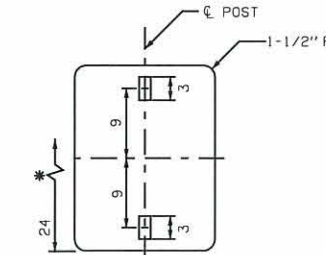
B-1236
 (1) 2" SQUARE TUBE POST
 (1) 1-1/2" PIPE POST



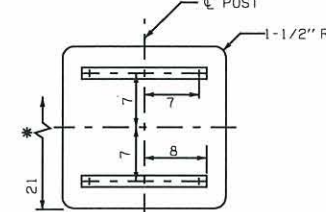
B-1248
 (1) 2" SQUARE TUBE POST
 (1) 1-1/2" PIPE POST



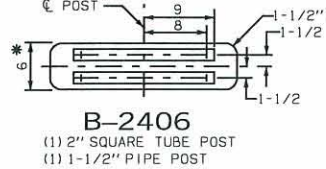
B-18(S)
 (1) 2" SQUARE TUBE POST
 (1) 1-1/2" PIPE POST



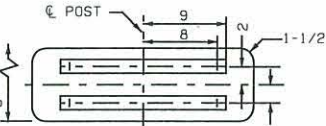
B-1824
 (1) 2" SQUARE TUBE POST
 (1) 1-1/2" PIPE POST



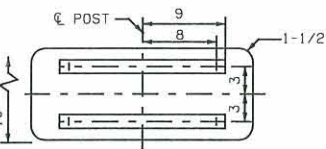
B-21(S)
 (1) 2" SQUARE TUBE POST
 (1) 1-1/2" PIPE POST



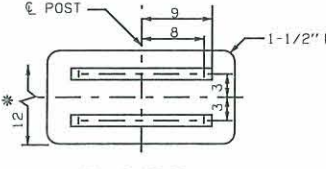
B-2406
 (1) 2" SQUARE TUBE POST
 (1) 1-1/2" PIPE POST



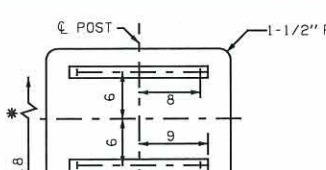
B-2408
 (1) 2" SQUARE TUBE POST
 (1) 1-1/2" PIPE POST



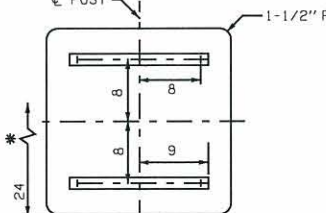
B-2410
 (1) 2" SQUARE TUBE POST
 (1) 1-1/2" PIPE POST



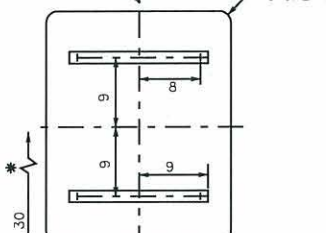
B-2412
 (1) 2" SQUARE TUBE POST
 (1) 1-1/2" PIPE POST



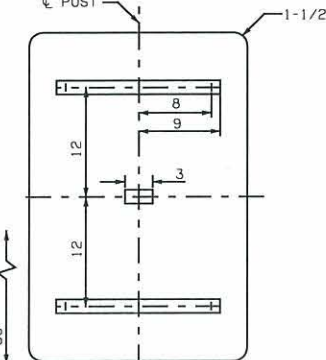
B-2418
 (1) 2" SQUARE TUBE POST
 (1) 1-1/2" PIPE POST



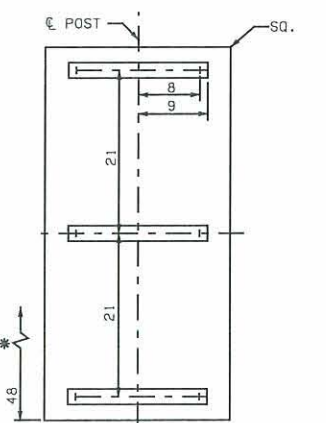
B-24(S)
 (1) 2" SQUARE TUBE POST
 (1) 1-1/2" PIPE POST



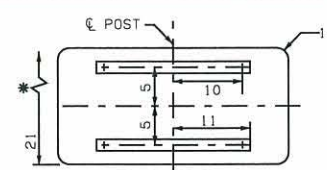
B-2430
 (1) 2" SQUARE TUBE POST
 (1) 1-1/2" PIPE POST



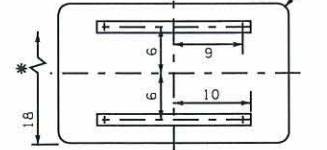
B-2436
 (1) 2" SQUARE TUBE POST
 (1) 1-1/2" PIPE POST



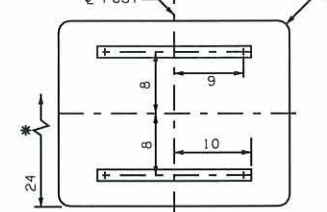
B-2448
 (1) 2" SQUARE TUBE POST
 (1) 1-1/2" PIPE POST



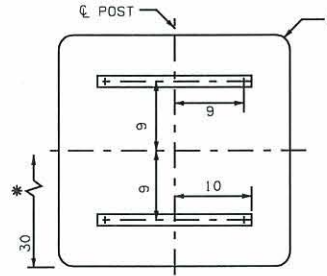
B-3021
 (1) 2" SQUARE TUBE POST
 (1) 1-1/2" PIPE POST



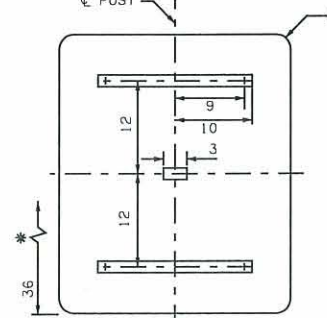
B-3018
 (1) 2" SQUARE TUBE POST
 (1) 1-1/2" PIPE POST



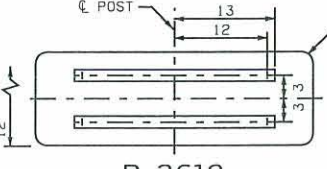
B-3024
 (1) 2" SQUARE TUBE POST
 (1) 1-1/2" PIPE POST



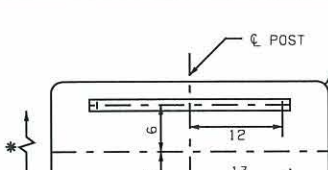
B-30(S)
 (1) 2" SQUARE TUBE POST
 (1) 1-1/2" PIPE POST



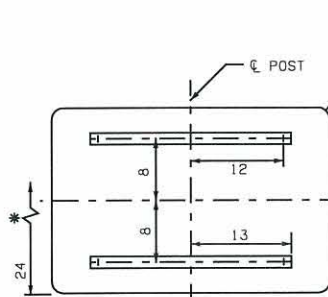
B-3036
 (1) 2" SQUARE TUBE POST
 (1) 1-1/2" PIPE POST



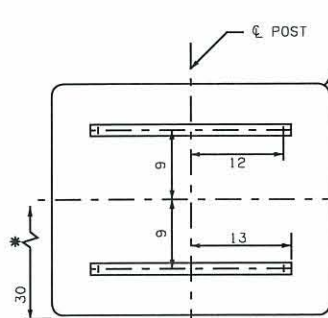
B-3612
 (1) 2" SQUARE TUBE POST
 (1) 1-1/2" PIPE POST



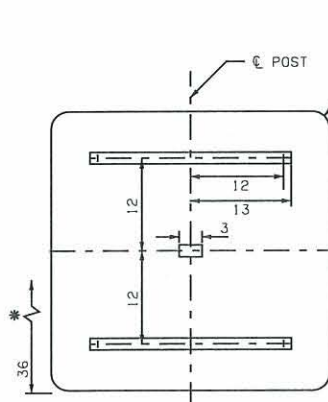
B-3618
 (1) 2" SQUARE TUBE POST
 (1) 2" PIPE POST



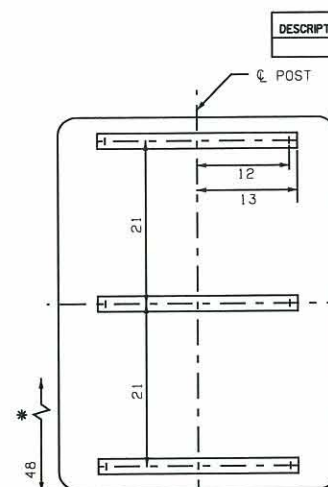
B-3624
 (1) 2" SQUARE TUBE POST
 (1) 2" PIPE POST



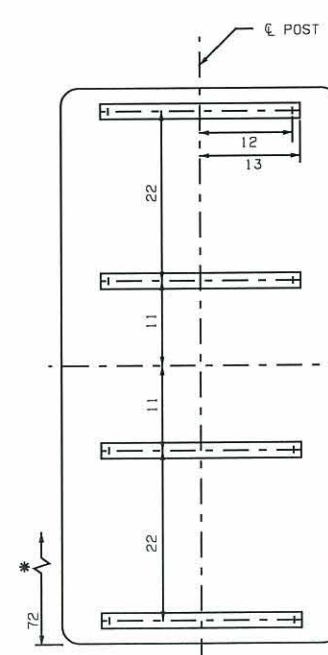
B-3630
 (1) 2" SQUARE TUBE POST
 (1) 1-1/2" PIPE POST



B-36(S)
 (1) 2" SQUARE TUBE POST
 (1) 2-1/4" PIPE POST



B-3648
 (2) 2" SQUARE TUBE POSTS
 (1) 3" PIPE POST



B-3672
 (1) 3-1/2" PIPE POST

NOTES:
 * ALL POSTS SHALL EXTEND 2" ABOVE THE TOP SIGN BRACKET, BUT NOT ABOVE THE TOP OF THE SIGN.
 ▲ SIGN BLANK THICKNESS SHALL BE .060" ALUMINUM OR 16 GAUGE STEEL.
 ■ VERTICAL SIGN BRACKET ONLY.
 ALL DIMENSIONS ARE IN INCHES UNLESS OTHERWISE SPECIFIED.



APPROVED BY
 TRAFFIC ENGINEER: *Charles Smith* DATE: 8/1/10

TRAFFIC STANDARD

SIGN BLANK AND BRACKET DETAILS