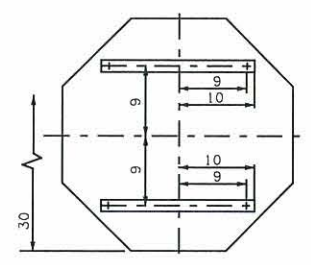
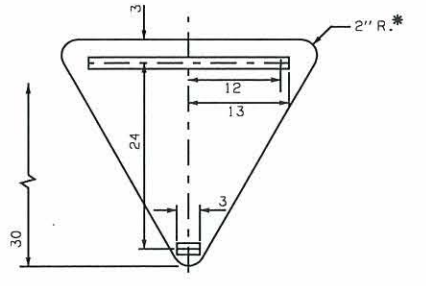


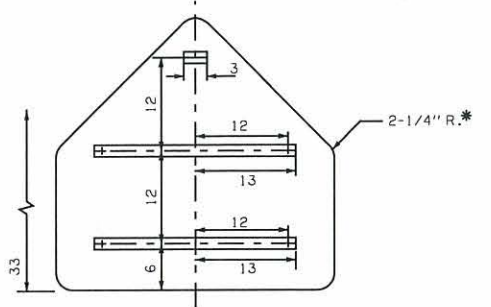
DESCRIPTION	REVISIONS	DATE
-------------	-----------	------



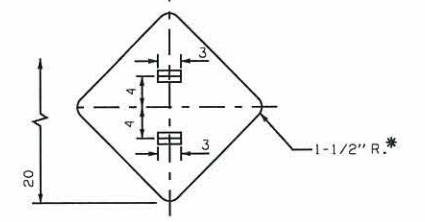
B-30(O)
(1) 2" SQUARE TUBE POST
(1) 2" PIPE POST



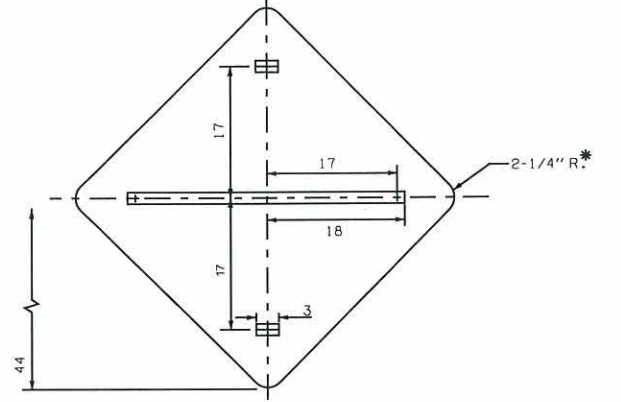
B-36(T)
(1) 2" SQUARE TUBE POST
(1) 2" PIPE POST



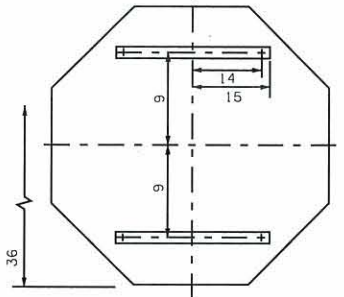
B-36(P)
(1) 2" SQUARE TUBE POST
(1) 2" PIPE POST



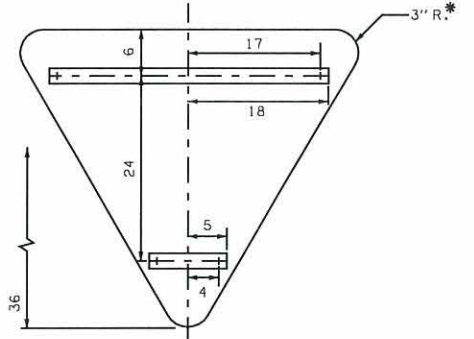
B-18(D)
(1) 2" SQUARE TUBE POST
(1) 1-1/2" PIPE POST



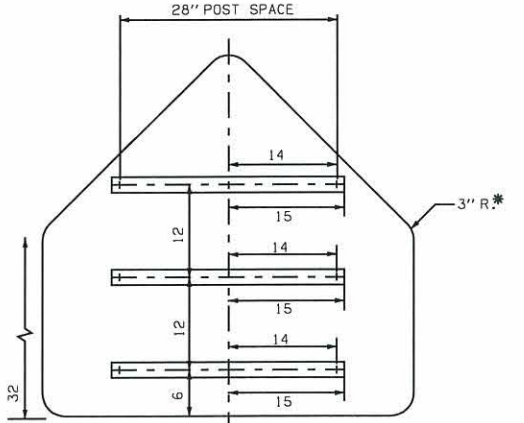
B-36(D)
(1) 2" SQUARE TUBE POST
(1) 1-1/2" PIPE POST



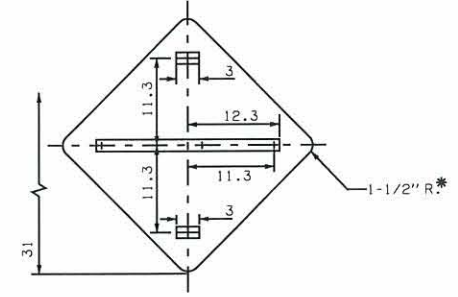
B-36(O)
(1) 2" SQUARE TUBE POST
(1) 1-1/2" PIPE POST



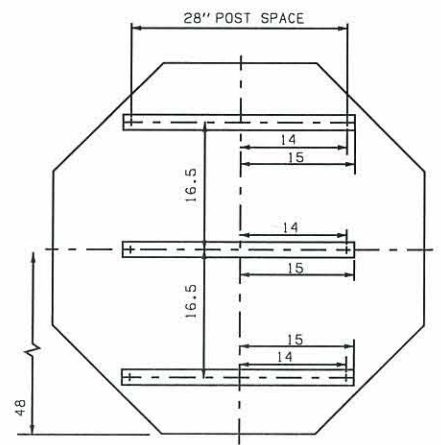
B-48(T)
(2) 2" SQUARE TUBE POSTS
(1) 1-1/2" PIPE POST



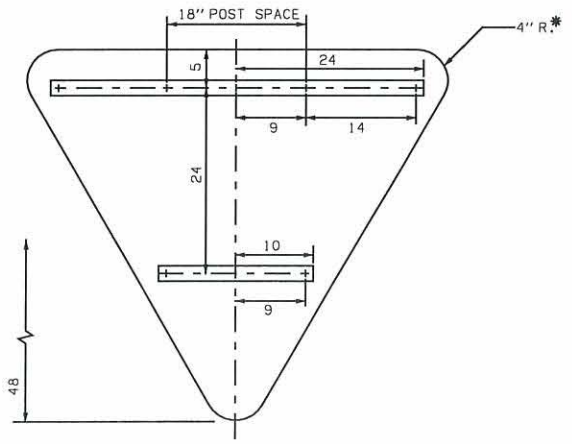
B-48(P)
(2) 2" SQUARE TUBE POSTS
(2) 2" PIPE POSTS



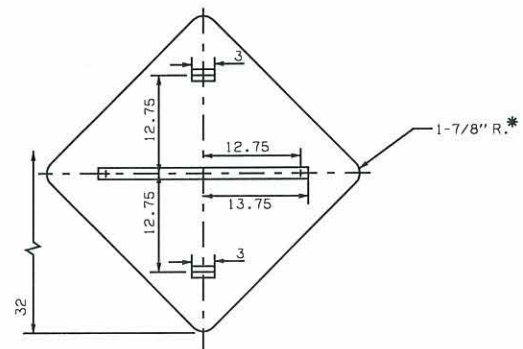
B-24(D)
(1) 2" SQUARE TUBE POST
(1) 2" PIPE POST



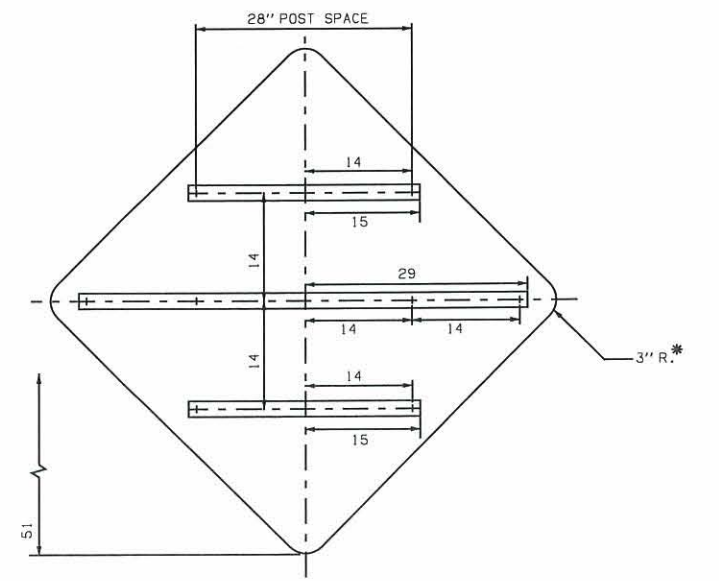
B-48(O)
(2) 2" SQUARE TUBE POSTS
(2) 1-1/2" PIPE POSTS



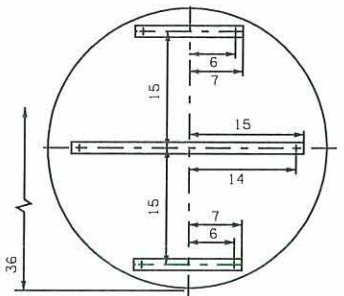
B-60(T)
(2) 2" SQUARE TUBE POSTS
(2) 2" PIPE POSTS



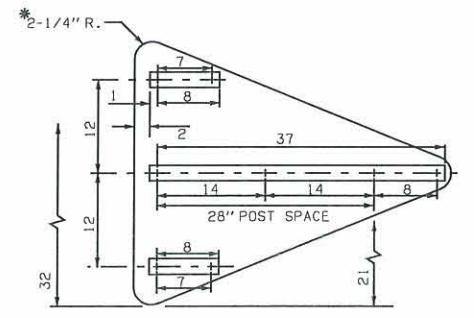
B-30(D)
(1) 2" SQUARE TUBE POST
(1) 2" PIPE POST



B-48(D)
(2) 2" SQUARE TUBE POSTS
(2) 1-1/2" PIPE POSTS



B-36(R)
(1) 2" SQUARE TUBE POST
(1) 1-1/2" PIPE POST

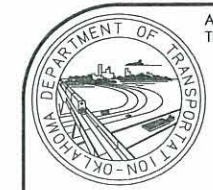


B-4836(T)
(2) 2" SQUARE TUBE POSTS
(2) 2" PIPE POSTS

CONSTRUCTION NOTES:

- (1) ALL FLAT SHEET SIGNS SHALL USE GALVANIZED STEEL POSTS.
- (2) THICKNESS OF MATERIALS FOR FLAT SHEET SIGNS SHALL BE AS FOLLOWS, DETERMINED BY THE LONGEST DIMENSION OF THE SIGN UNLESS OTHERWISE SPECIFIED.

ALUMINUM ALLOY 6061-T6 OR 5052-H38	GALVANIZED STEEL
0.063" FOR SIGNS THROUGH 24"	16 GAUGE FOR SIGNS THROUGH 24"
0.080" FOR SIGNS 25" THROUGH 35"	14 GAUGE FOR SIGNS 25" THROUGH 35"
0.100" FOR SIGNS 36" AND LARGER	12 GAUGE FOR SIGNS 36" AND LARGER
- (3) SIGN BRACKETS SHALL BE GALVANIZED STEEL OR ALUMINUM. HOLES FOR MOUNTING BRACKETS TO SIGN SHALL BE 5/16" D. HOLES FOR MOUNTING SIGN AND BRACKETS TO POST SHALL BE 3/8" D. HOLES SHALL BE PUNCHED BEFORE GALVANIZING. SIZE OF BRACKETS SHALL BE AS FOLLOWS: SIGNS THROUGH 36" SHALL USE A GALVANIZED STEEL OR ALUMINUM CHANNEL 1-1/2" X 1/2" X 1/8". SIGNS LARGER THAN 36" SHALL USE A GALVANIZED STEEL OR ALUMINUM CHANNEL 2" X 1/2" X 1/8". ALUMINUM SIGN BRACKETS SHALL BE ALLOY 6061-T6, 6062-T6 OR 6063-T6.
- (4) ALL BOLTS, NUTS AND WASHERS SHALL BE GALVANIZED STEEL OR CADMIUM PLATED. ALL BOLT ENDS SHALL BE SUFFICIENTLY BRADDED AFTER INSTALLATION TO MINIMIZE REMOVAL BY VANDALISM.
- (5) ALL POSTS SHALL EXTEND 2" ABOVE THE TOP SIGN BRACKET, BUT NOT ABOVE THE TOP OF THE SIGN.
- * (6) CORNER RADIUS FOR ALL FLAT SHEET SIGNS SHALL BE AS SHOWN.
- (7) ALL DIMENSIONS ARE IN INCHES UNLESS OTHERWISE SPECIFIED.



APPROVED BY
TRAFFIC ENGINEER: *David Smith* DATE: 8/13/10
TRAFFIC STANDARD

SIGN BLANK AND BRACKET DETAILS