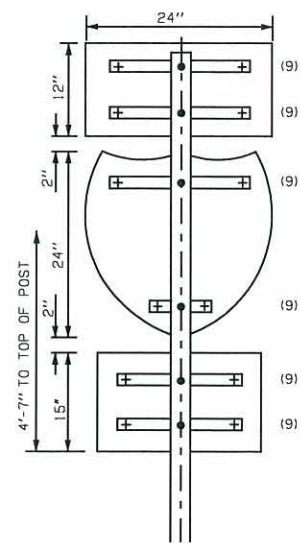
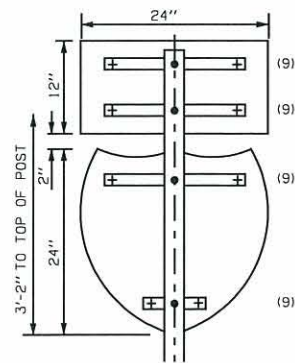


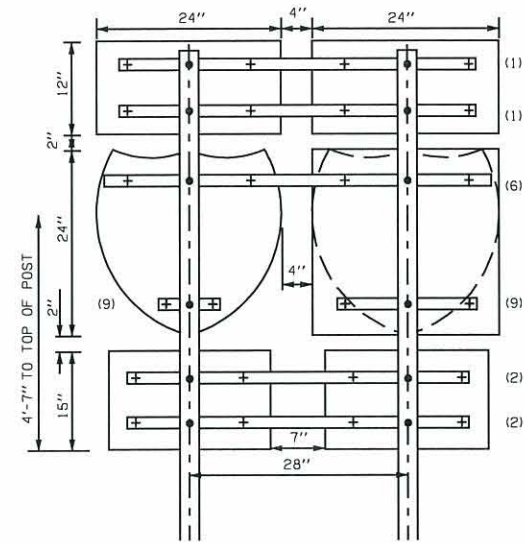
DESCRIPTION	REVISIONS	DATE
-------------	-----------	------



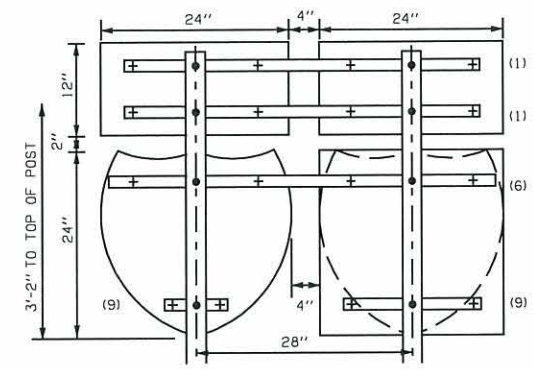
(1) 2" SQUARE TUBE POST
(1) 2-1/2" PIPE POST
24" ROUTE MARKER ASSEMBLY



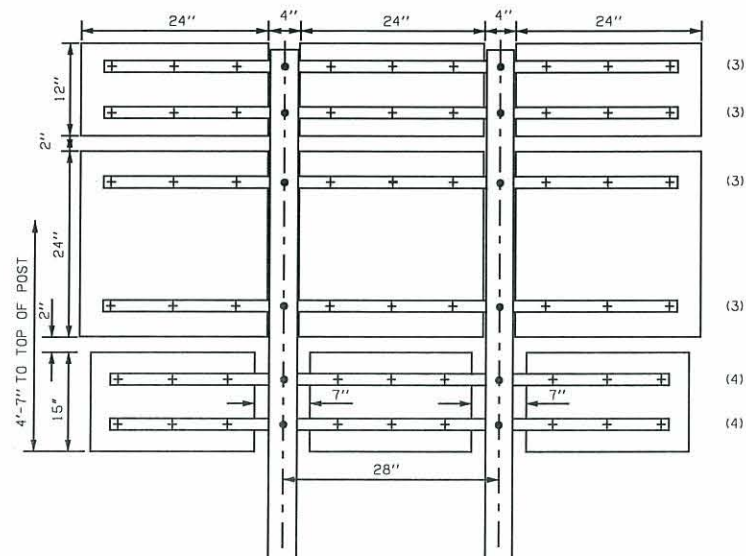
(1) 2" SQUARE TUBE POST
(1) 2-1/2" PIPE POST
24" ROUTE MARKER ASSEMBLY



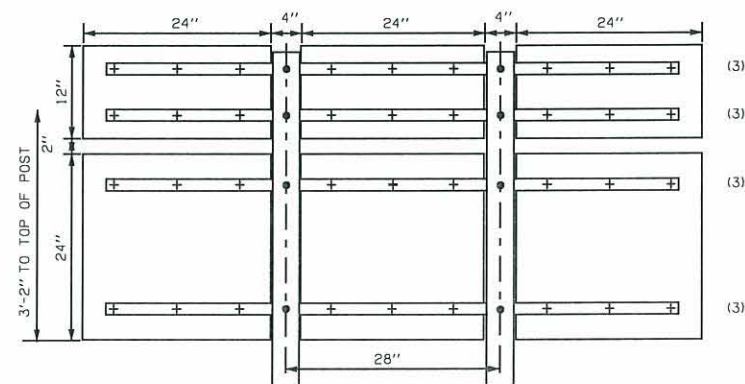
(2) 2" SQUARE TUBE POSTS
(2) 2-1/2" PIPE POSTS
TYPICAL ROUTE MARKER ASSEMBLY FOR TWO (2) 24" ROUTE MARKERS



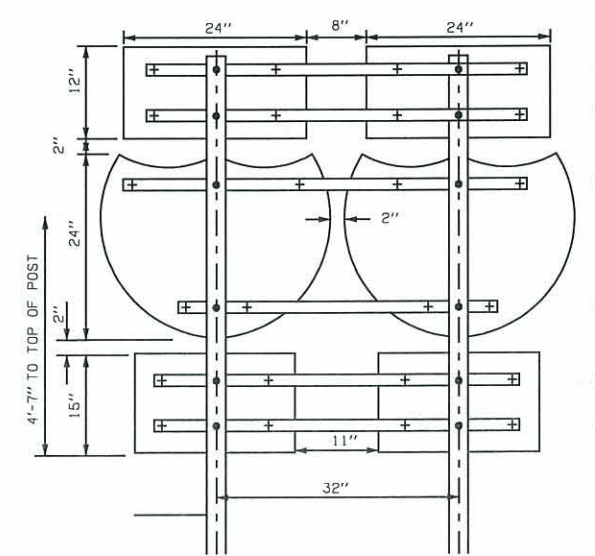
(2) 2" SQUARE TUBE POSTS
(2) 2-1/2" PIPE POSTS
TYPICAL ROUTE MARKER ASSEMBLY FOR TWO (2) 24" ROUTE MARKERS



(2) 2" SQUARE TUBE POSTS
(2) 2-1/2" PIPE POSTS
TYPICAL MOUNTING DETAILS FOR THREE (3) 24" ROUTE MARKERS



(2) 2" SQUARE TUBE POSTS
(2) 2-1/2" PIPE POSTS
TYPICAL MOUNTING DETAILS FOR THREE (3) 24" ROUTE MARKERS



(2) 2" SQUARE TUBE POSTS
(2) 2-1/2" PIPE POSTS
TYPICAL MOUNTING DETAILS FOR TWO (2) 24" ROUTE MARKERS USING 24" X 30" SHIELDS

BRACKET ARM NO.	BRACKET LENGTH
1	46"
2	44"
3	74"
4	72"
5	26"
6	50"
7	56"
8	42"
9	SEE STDS. SBS2-1, & SBS4-1 (LATEST REVISION)



APPROVED BY TRAFFIC ENGINEER: *David Smay* DATE: 8/5/10

TRAFFIC STANDARD

ROUTE MARKER SIGN DETAILS
(POST & BRACKET DETAILS)