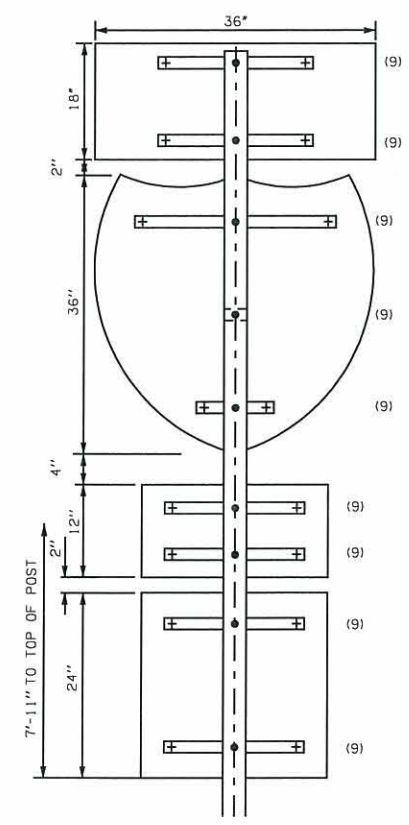
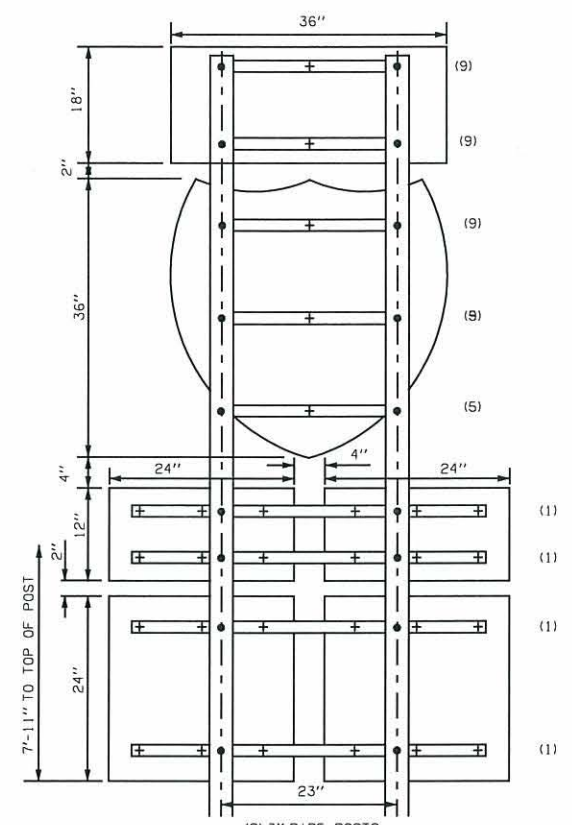


DESCRIPTION	REVISIONS	DATE
-------------	-----------	------

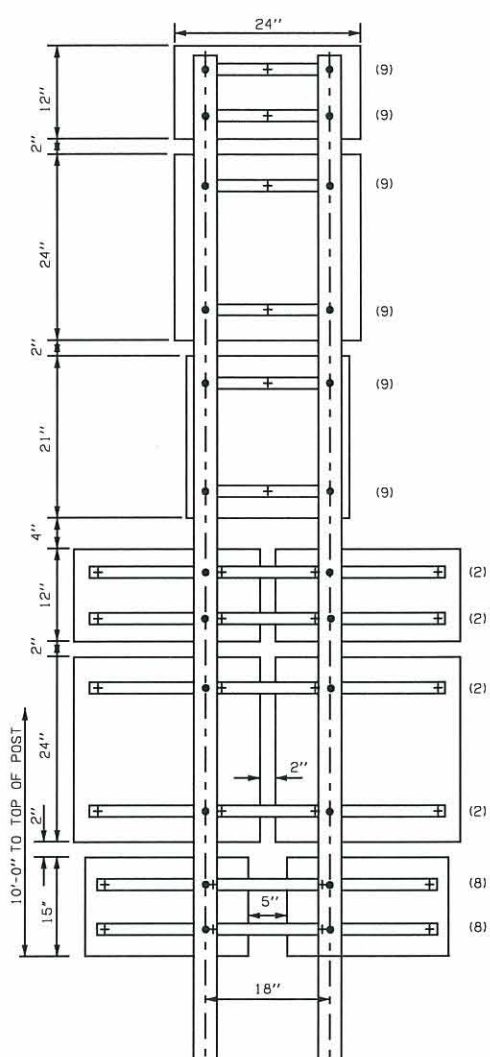


(1) 3" PIPE POST

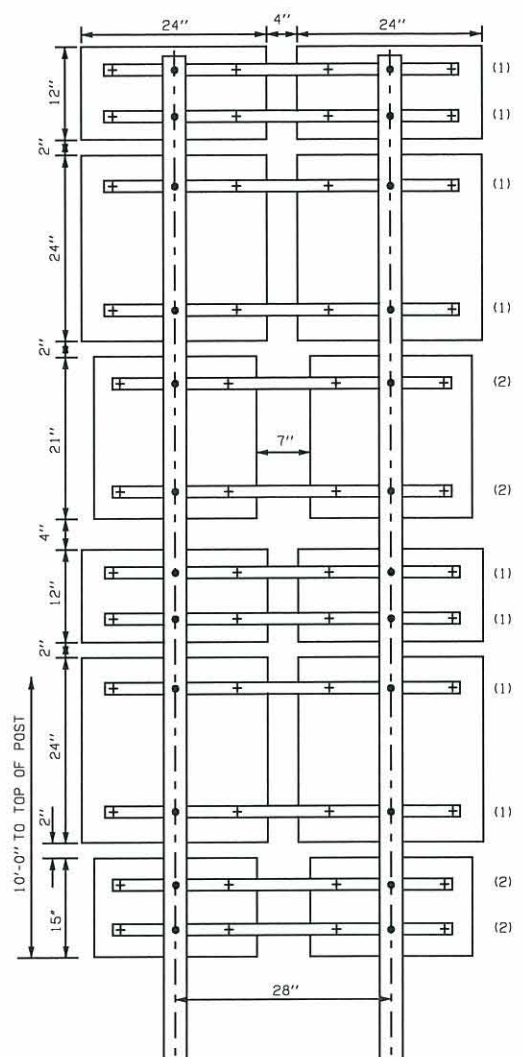
TYPICAL DETAIL FOR MOUNTING
36" ROUTE MARKER WITH 24"
ROUTE MARKER



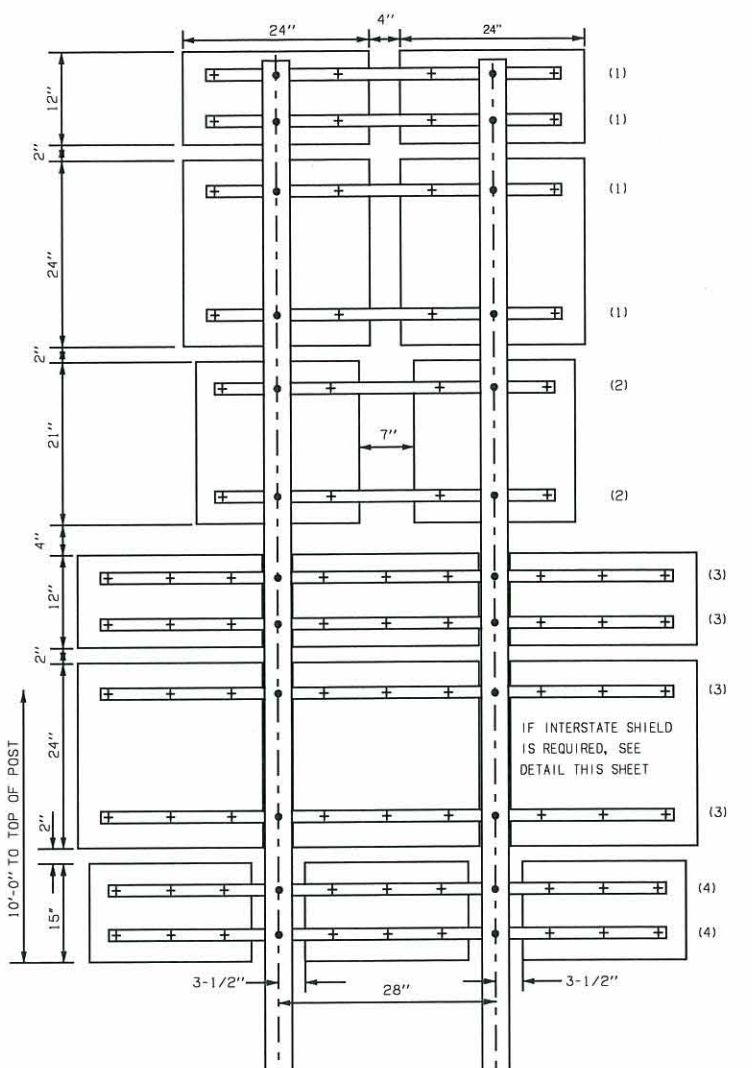
(2) 3" PIPE POSTS



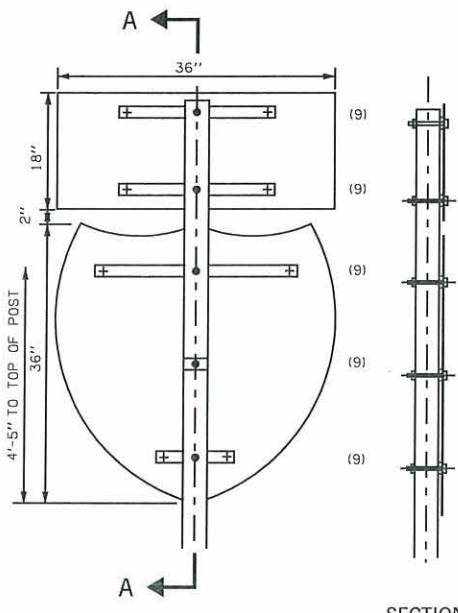
(2) 3" PIPE POSTS
TYPICAL MOUNTING DETAILS FOR
THREE (3) 24" ROUTE MARKERS



(2) 3-1/2" PIPE POSTS
TYPICAL MOUNTING DETAILS FOR
FOUR (4) 24" ROUTE MARKERS



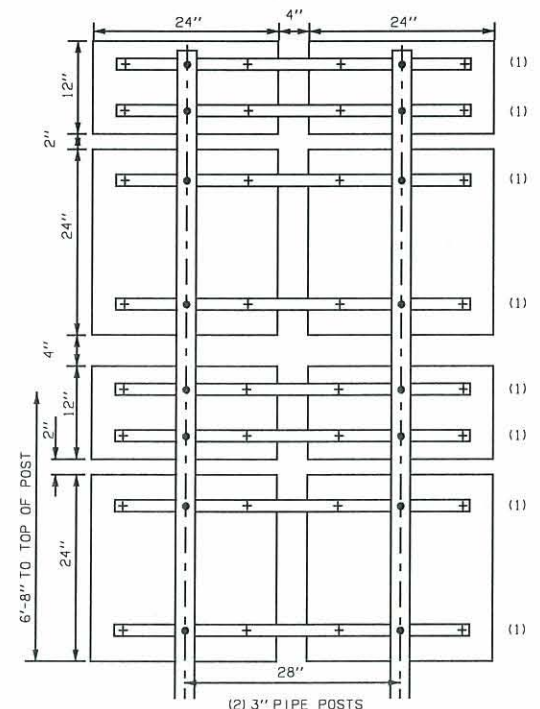
(2) 4" PIPE POSTS
TYPICAL MOUNTING DETAILS FOR
FIVE (5) 24" ROUTE MARKERS



(1) 3" PIPE POST

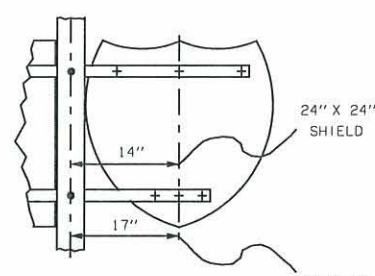
36" ROUTE MARKER
ASSEMBLY

SECTION
"A-A"



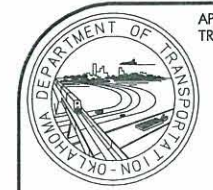
(2) 3" PIPE POSTS

TYPICAL MOUNTING DETAIL
FOR FOUR (4) 24" ROUTE MARKERS



TYPICAL MOUNTING DETAILS FOR
24" INTERSTATE SHIELD ON THREE
ROUTE MARKER ASSEMBLY

BRACKET ARM NO.	BRACKET LENGTH
1	46"
2	44"
3	74"
4	72"
5	26"
6	50"
7	56"
8	42"
9	SEE STDS. SBS2-1, & SBS4-1 (LATEST REVISION)



APPROVED BY
TRAFFIC ENGINEER: *Charles Umphrey* DATE: 8/15/10

TRAFFIC STANDARD

ROUTE MARKER SIGN DETAILS
(POSTS & BRACKET DETAILS)