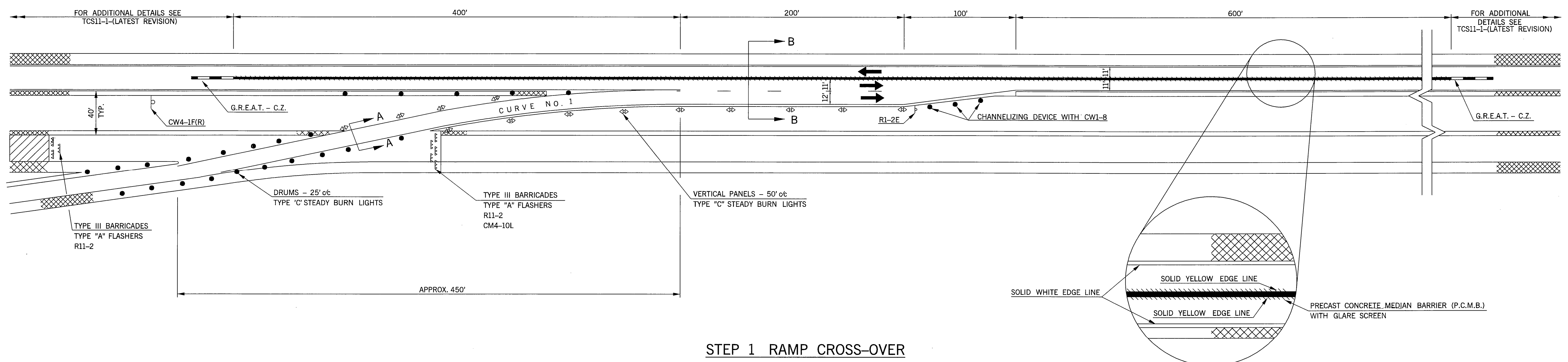
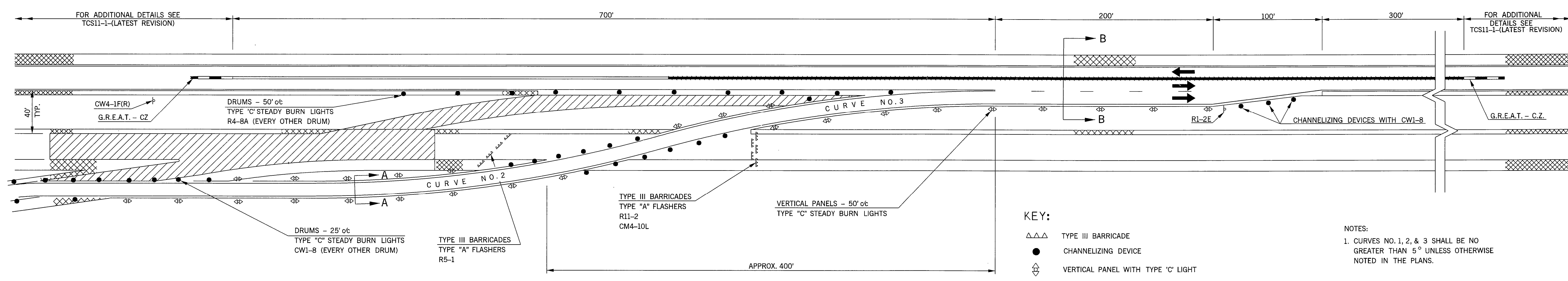


DESCRIPTION	REVISIONS	DATE



STEP 1 RAMP CROSS-OVER

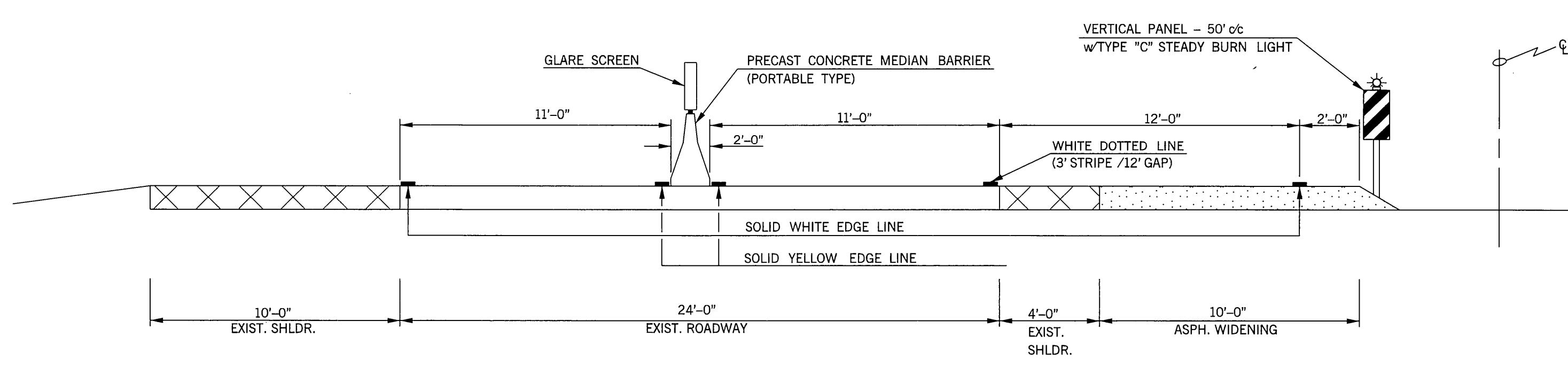


STEP 2 RAMP CROSS-OVER

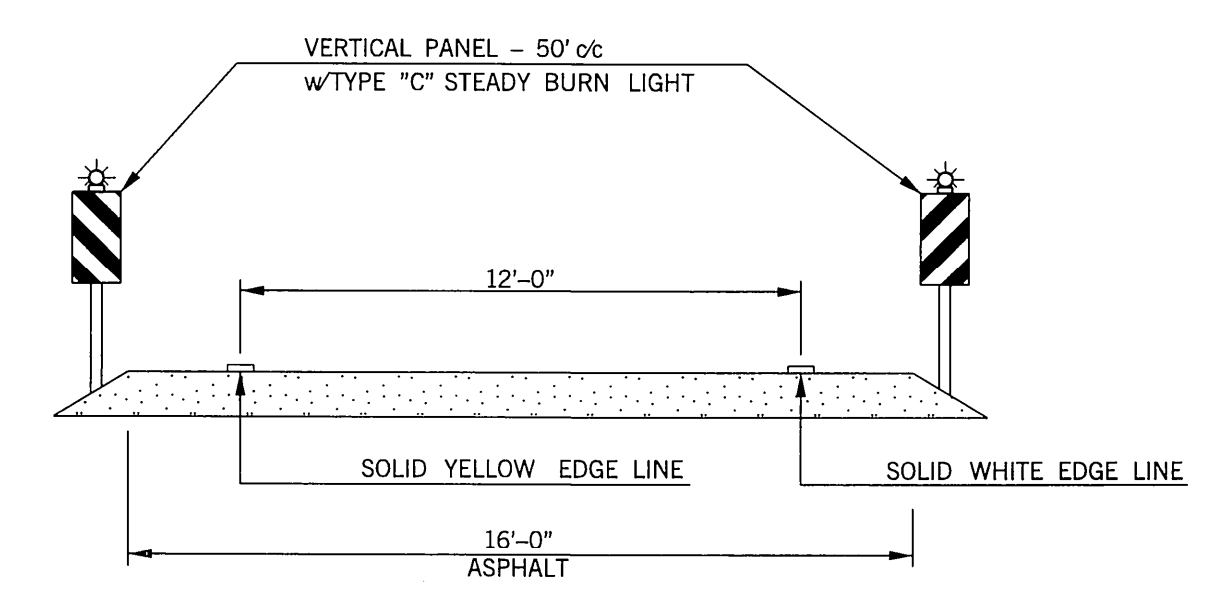
- KEY:
- △△△ TYPE III BARRICADE
 - CHANNELIZING DEVICE
 - ⊕ VERTICAL PANEL WITH TYPE 'C' LIGHT
 - ▨ PAVEMENT REMOVAL
 - ▩ PRECAST CONCRETE MEDIAN BARRIER (PORT. TYPE) (WITH GLARE SCREEN)

NOTES:

1. CURVES NO. 1, 2, & 3 SHALL BE NO GREATER THAN 5° UNLESS OTHERWISE NOTED IN THE PLANS.



SECTION B - B



SECTION A - A
RAMP

TYPICAL APPLICATION
MEDIAN CROSS-OVER FOR ON RAMP

APPROVED BY TRAFFIC ENGINEER *H. J. Umab* DATE 10.1.99

OKLAHOMA DEPT. OF TRANSPORTATION
TRAFFIC STANDARD (ENGLISH)
TRAFFIC CONTROL STANDARD
TYPICAL APPLICATION
MEDIAN CROSS-OVER FOR ON RAMP

1999 SPECIFICATIONS TCS79-1 00E
T-579E

1/19/99 11:57:36 AM 4:05:36 PM 10/15/99