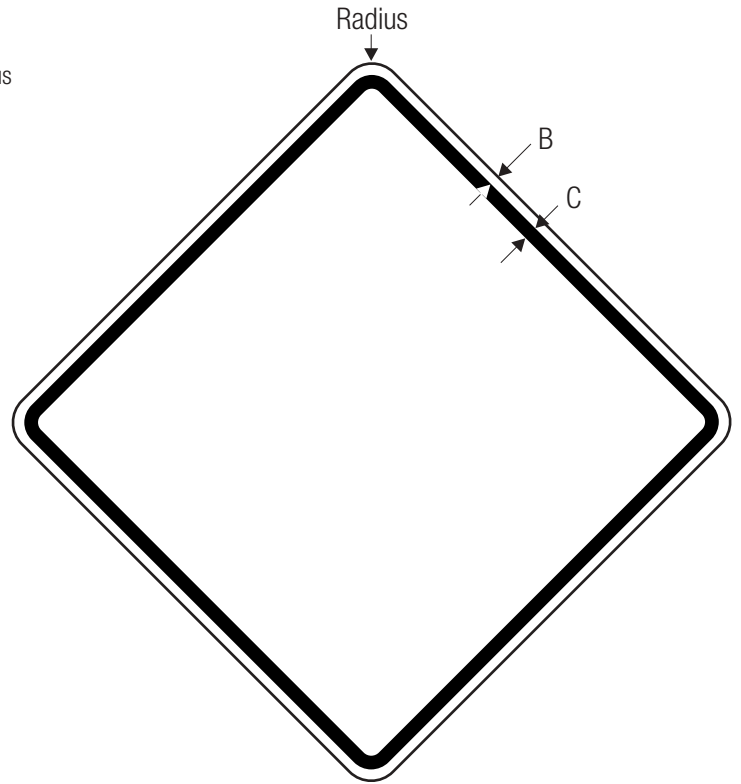
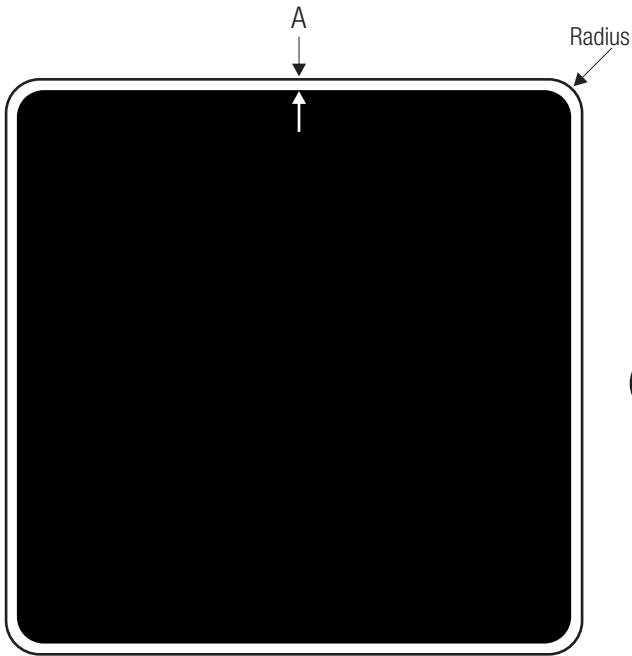
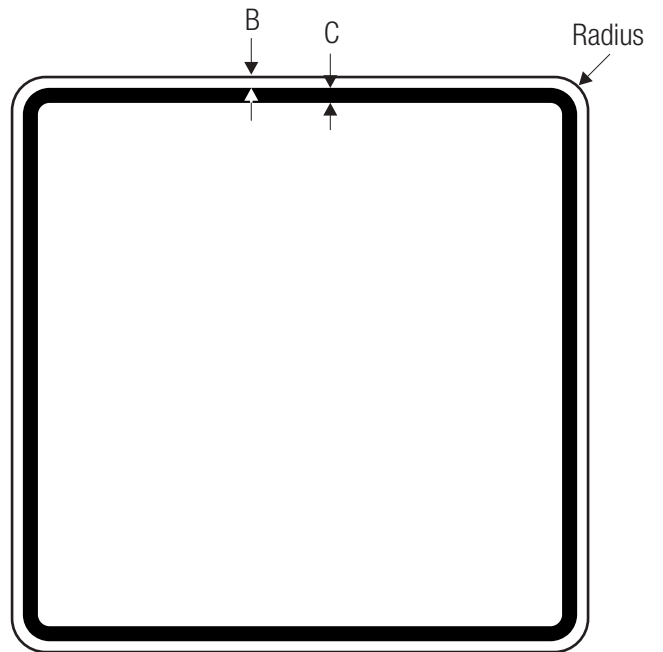


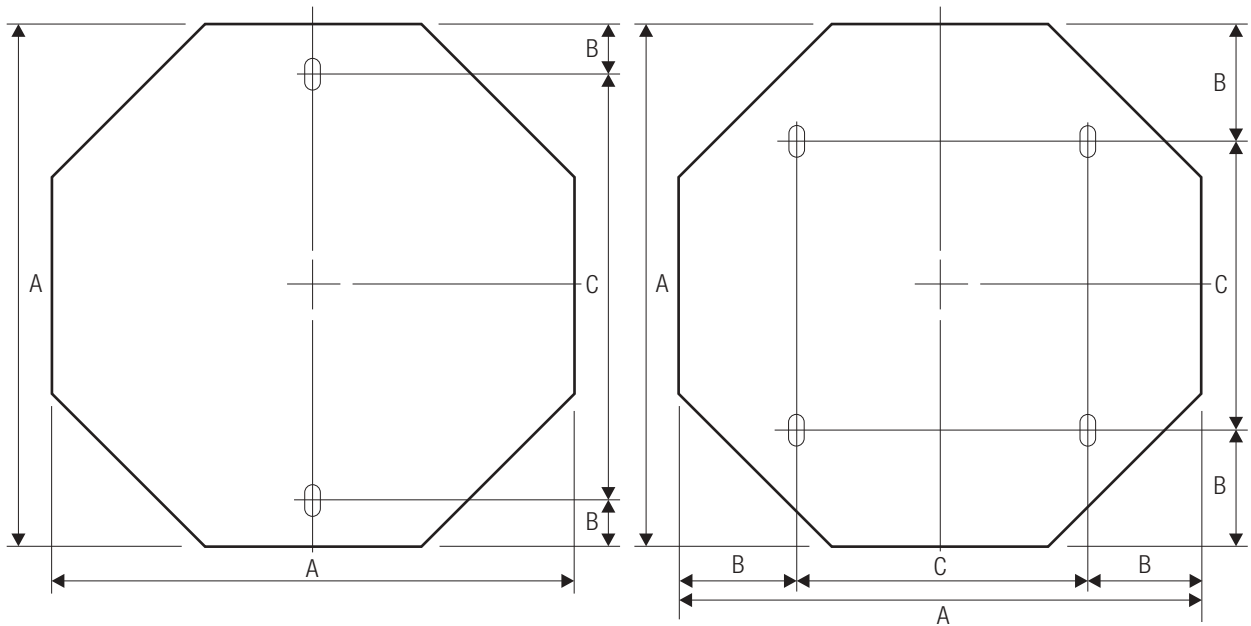
## Standard Highway Sign Border Specifications



SIGN SIZE (mm)	EQUIVALENT (in)	BORDER WIDTHS (mm)			RADIUS (mm)
		A	B	C	
225	9	10	10	10	30
300	12	10	10	15	40
450	18	10	10	15	40
600	24	15	10	15	50
750	30	20	13	20	50
900	36	25	15	25	60
1200	48	30	20	30	70
1500	60	30	20	30	70

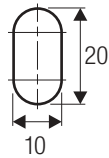


# BLANK STANDARDS



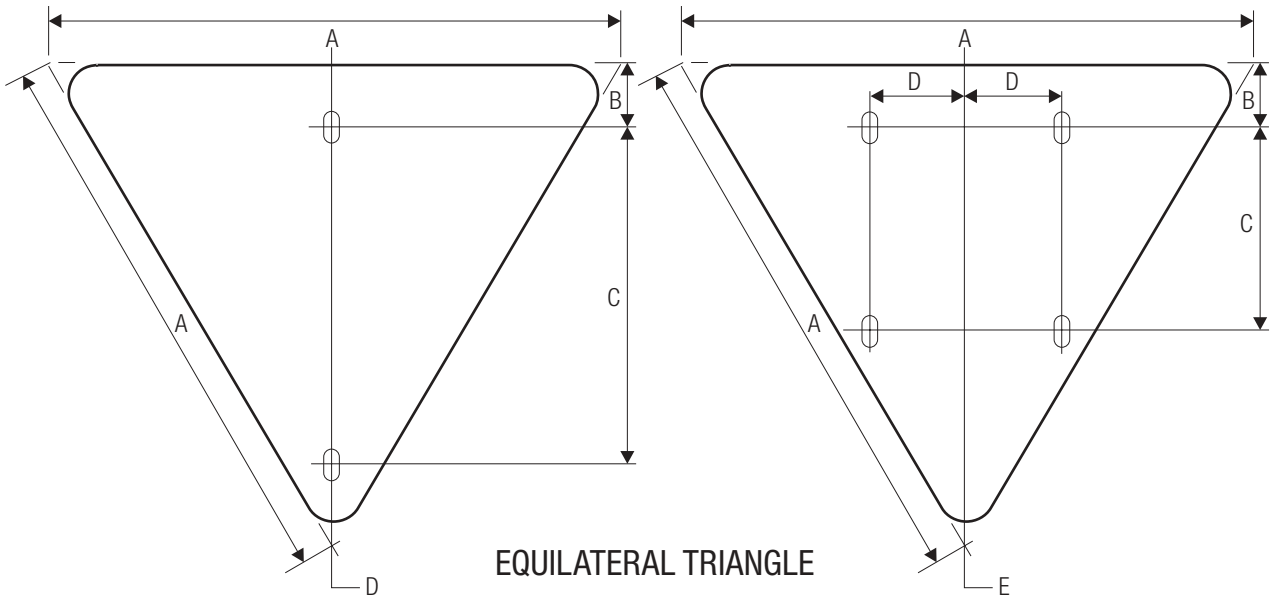
OCTAGON

A	B	C
600	75	450
750	75	600
900	75	750



Hole Detail

A	B	C
1200	225	750

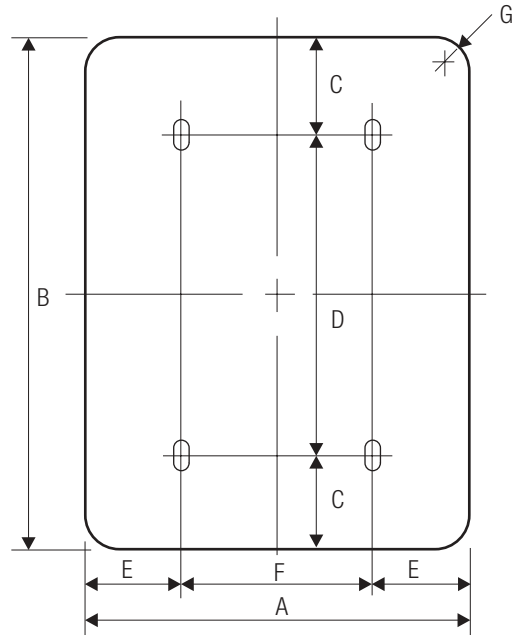
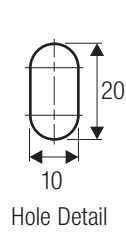
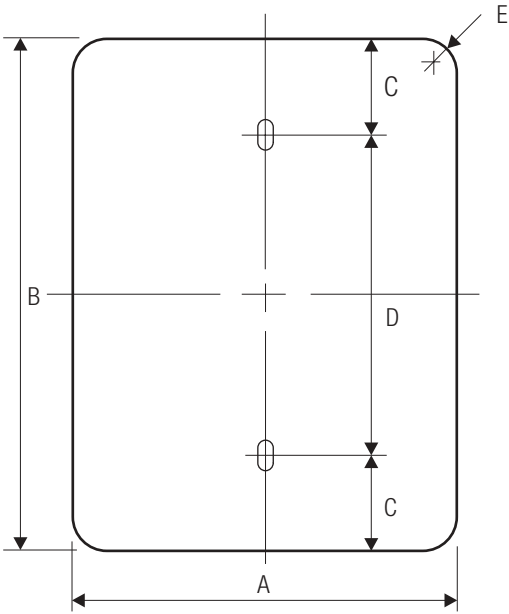


EQUILATERAL TRIANGLE

A	B	C	D
750	75	450	50
900	75	525	60

A	B	C	D	E
1200	75	300	300	70
1500	75	450	375	70

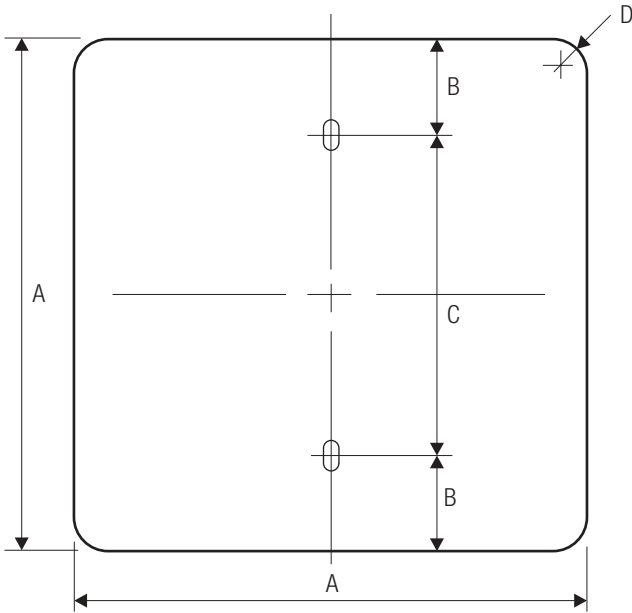
## VERTICAL RECTANGLE



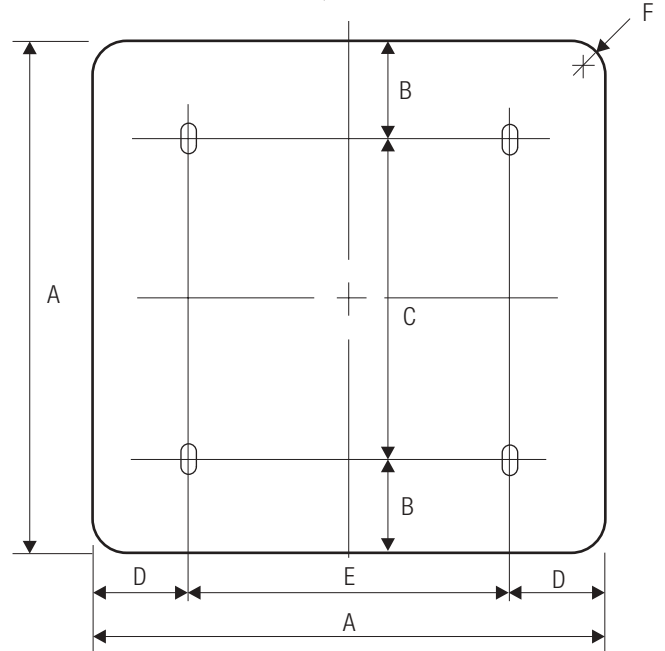
A	B	C	D	E
300	450	25	400	40
450	600	75	450	40
600	750	75	600	50
750	900	75	750	50

A	B	C	D	E	F	G
900	1200	150	900	150	600	60
1200	1500	150	1200	225	750	70

## SQUARE

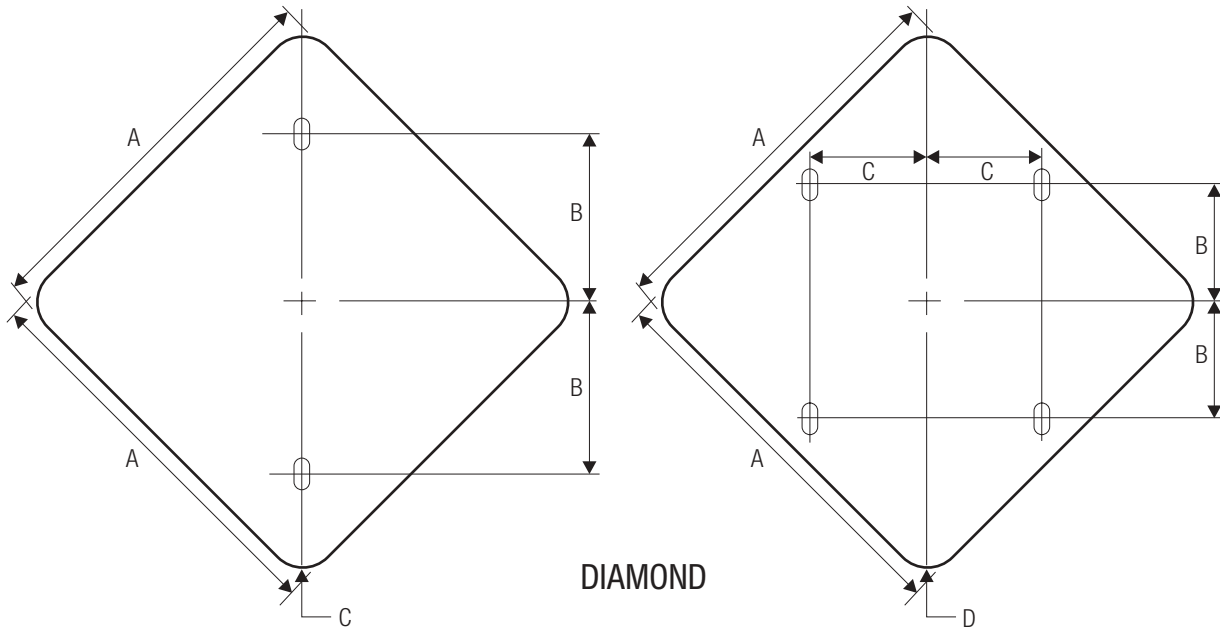


A	B	C	D
450	75	300	40
600	75	450	50
750	75	600	50



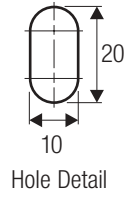
A	B	C	D	E	F
900	150	600	150	600	60
1200	150	900	225	750	70

## BLANK STANDARDS

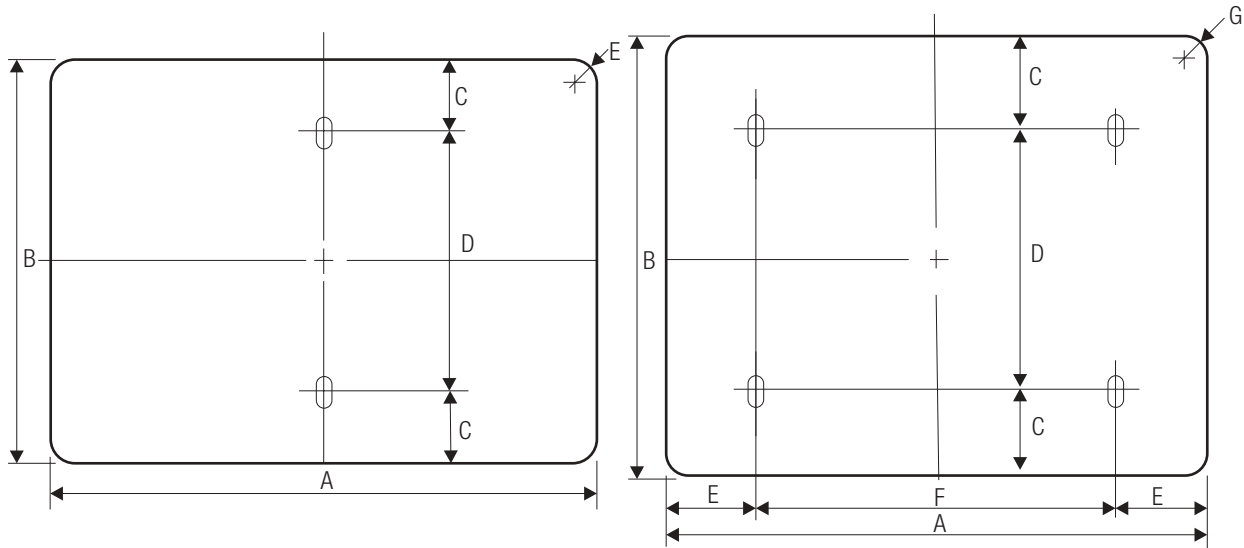


## DIAMOND

A	B	C
600	300	50
750	375	50
900	450	60



A	B	C	D
1200	375	375	70
1500	450	450	70

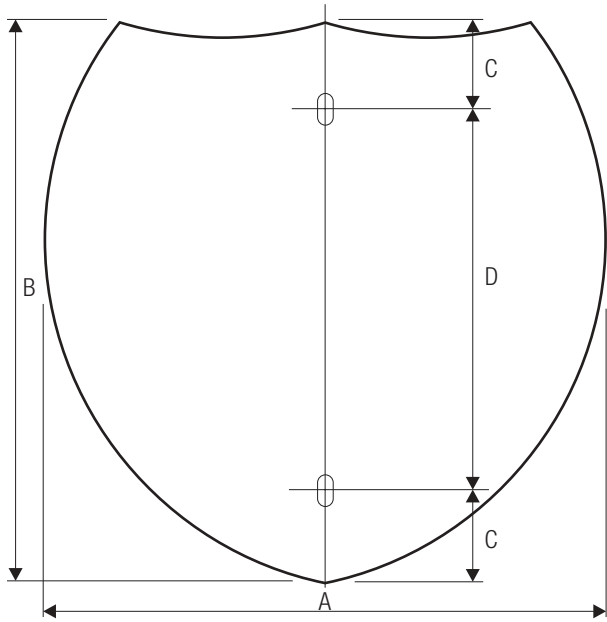


## HORIZONTAL RECTANGLE

A	B	C	D	E
525	375	25	300	40
600	300	25	225	50
600	450	75	300	50
750	375	25	300	50
750	600	75	450	50
900	300	25	225	60

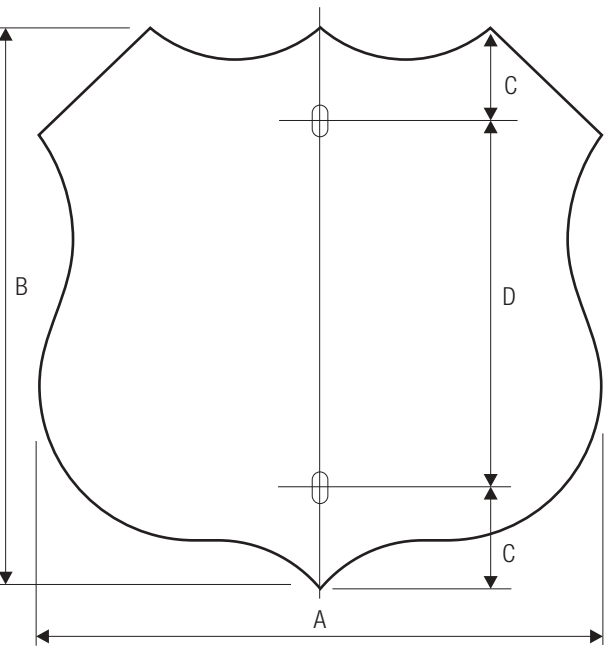
A	B	C	D	E	F	G
900	600	75	450	150	600	60
1200	600	75	450	225	750	70
1200	900	150	600	225	750	70
1500	600	75	450	300	900	70
1500	900	300	600	600	900	70

BLANK STANDARDS



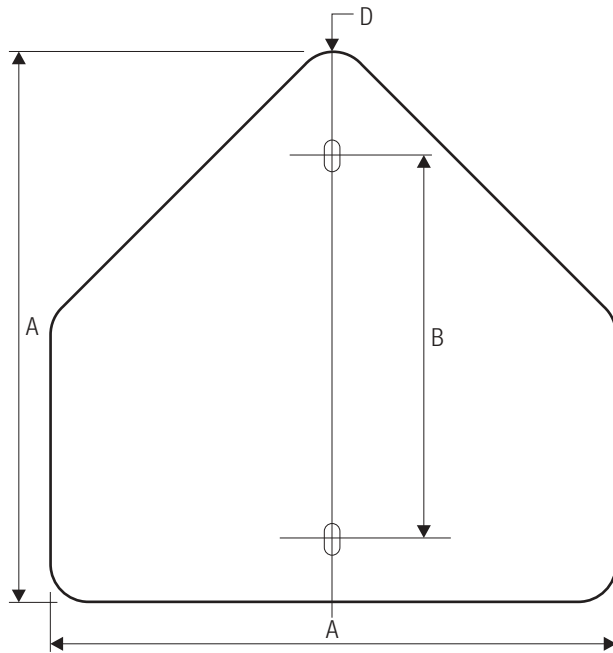
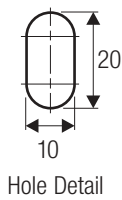
INTERSTATE SHIELD

A	B	C	D
600	600	75	450
750	600	75	450
900	900	150	600
1125	900	150	600



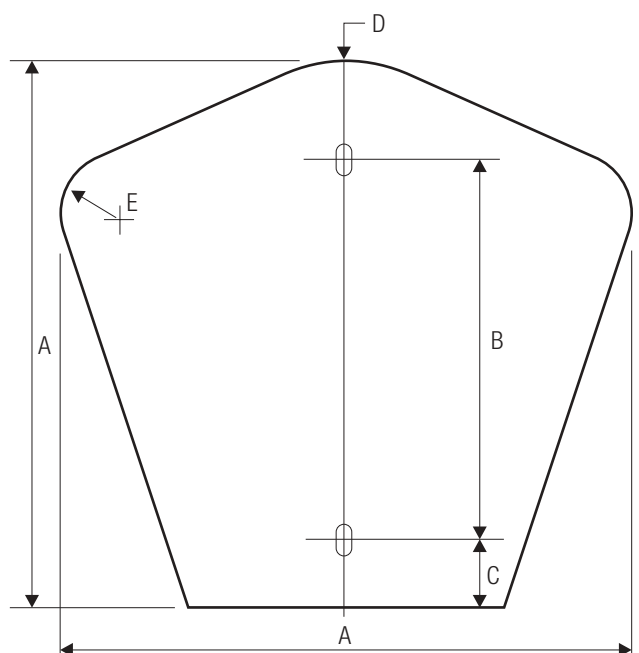
U.S. SHIELD

A	B	C	D
600	600	75	450
750	600	75	450
900	900	150	600
1125	900	150	600



PENTAGON (SCHOOL)

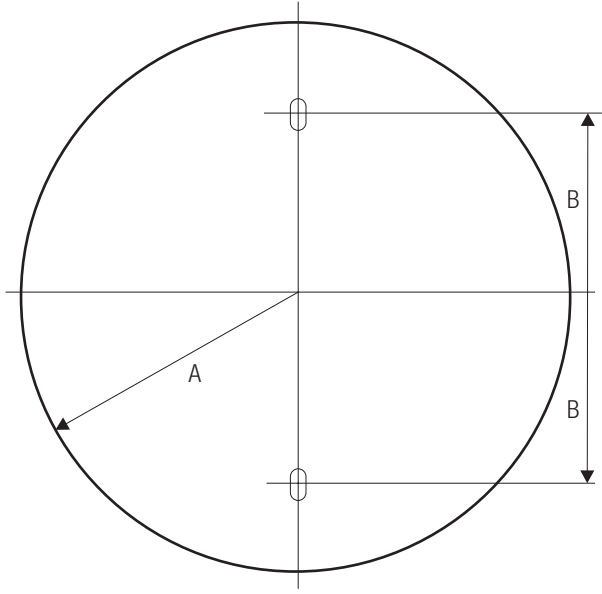
A	B	C	D
750	525	75	50
900	600	75	60



COUNTY SHIELD

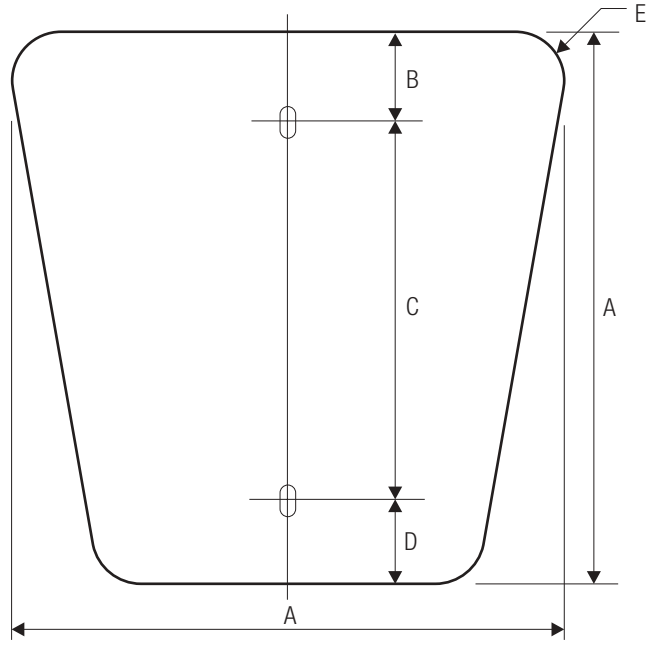
A	B	C	D	E
450	375	25	125	50
600	450	50	133	67
750	600	50	165	85

# BLANK STANDARDS



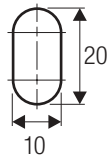
**CIRCLE**

A	B
375	300
450	375

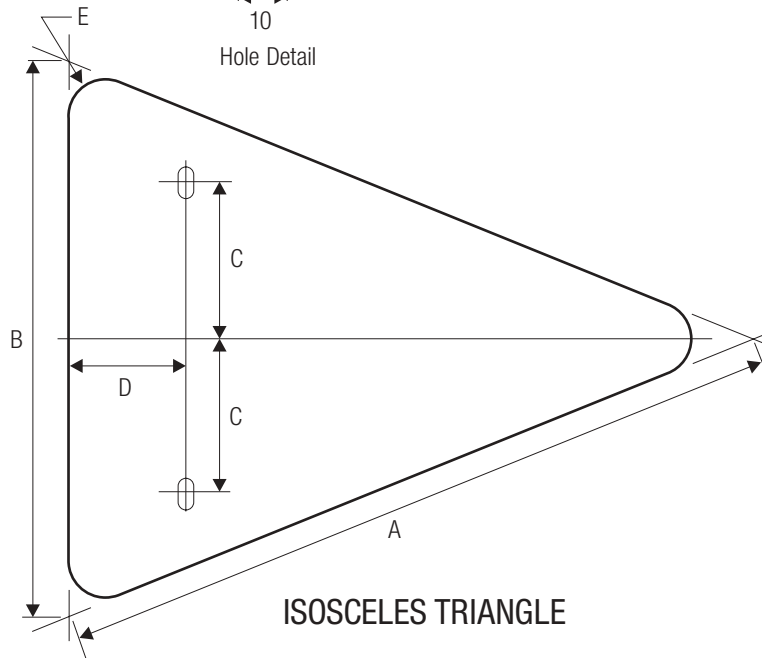


**NATIONAL FOREST SHIELD**

A	B	C	D	E
450	50	375	25	40
600	60	500	40	50



Hole Detail



**ISOSCELES TRIANGLE**

A	B	C	D	E
1000	750	475	300	50
1200	900	225	375	60

PEDESTRIAN SIGNAL INDICATORS

