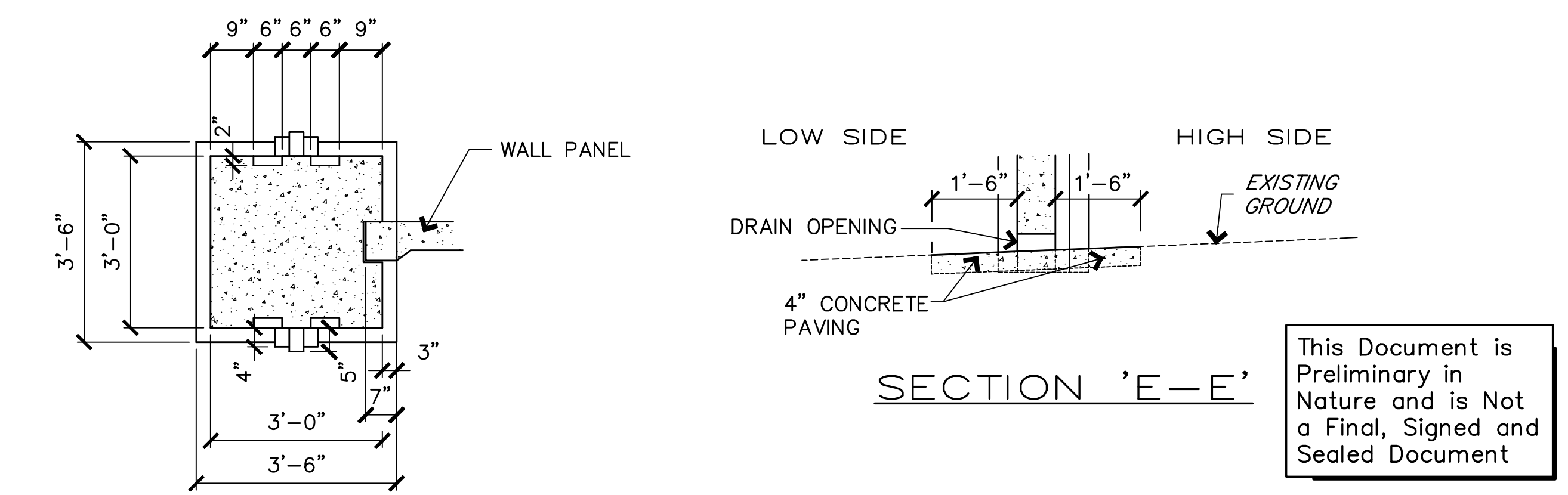
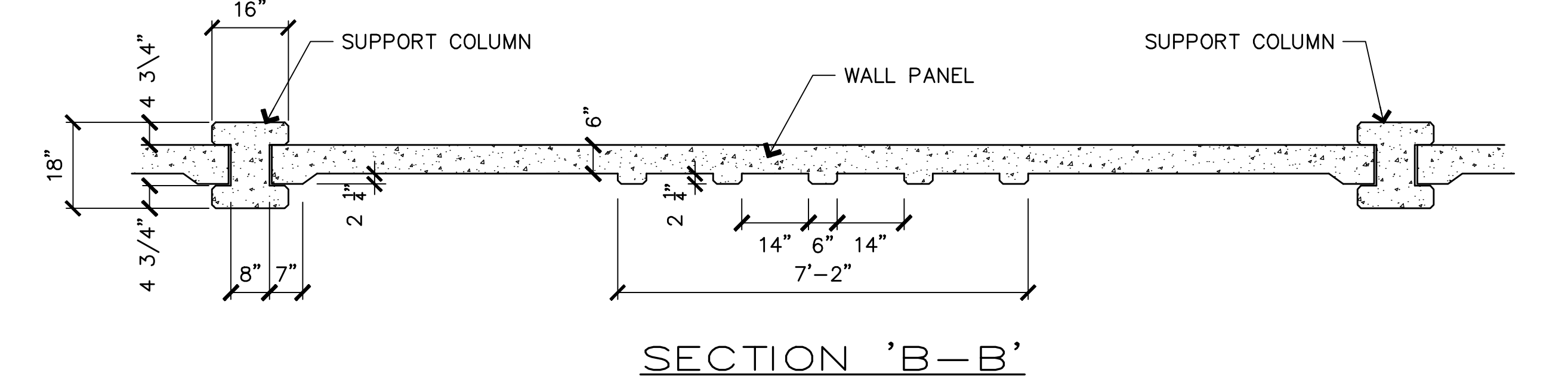
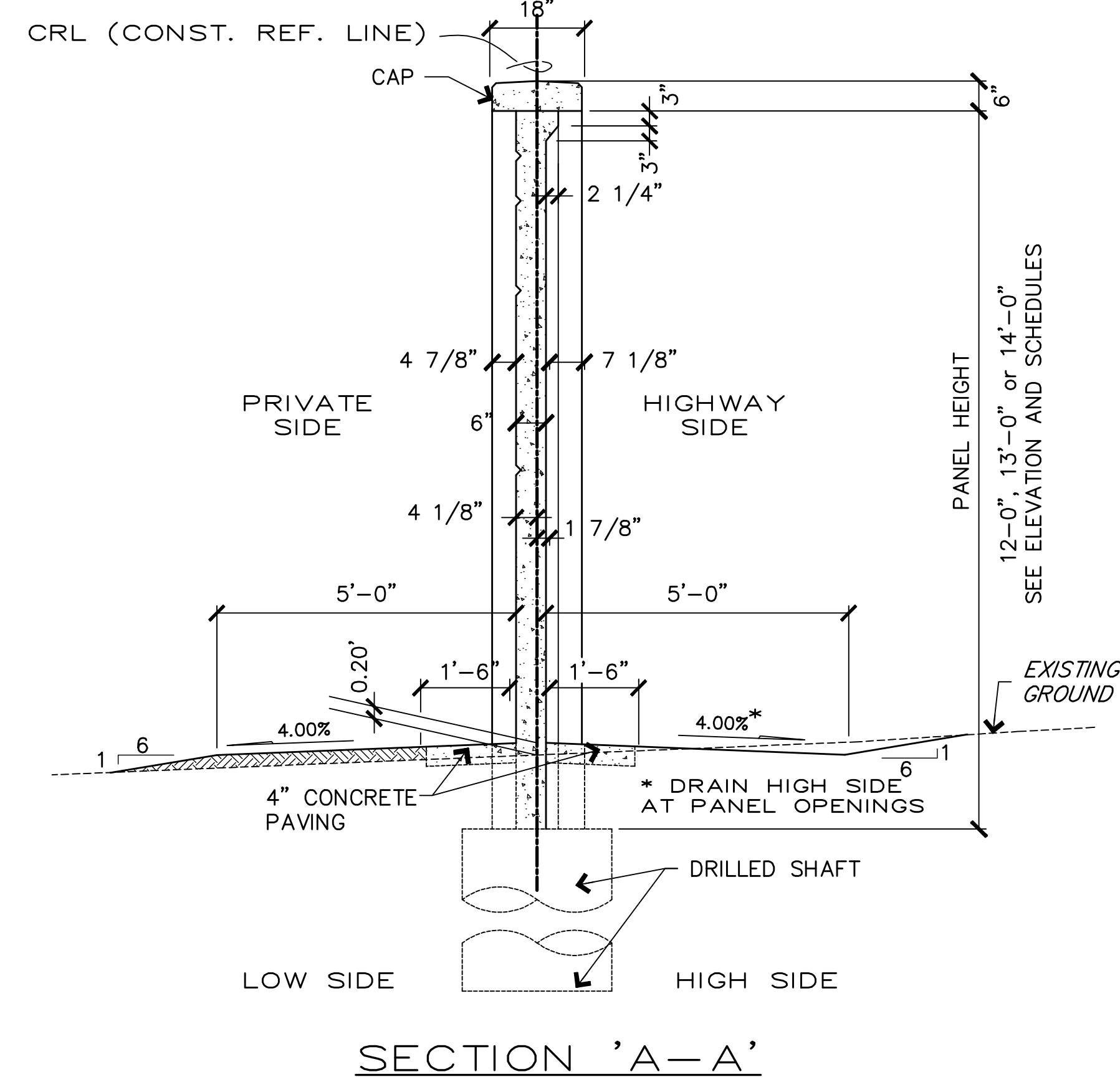
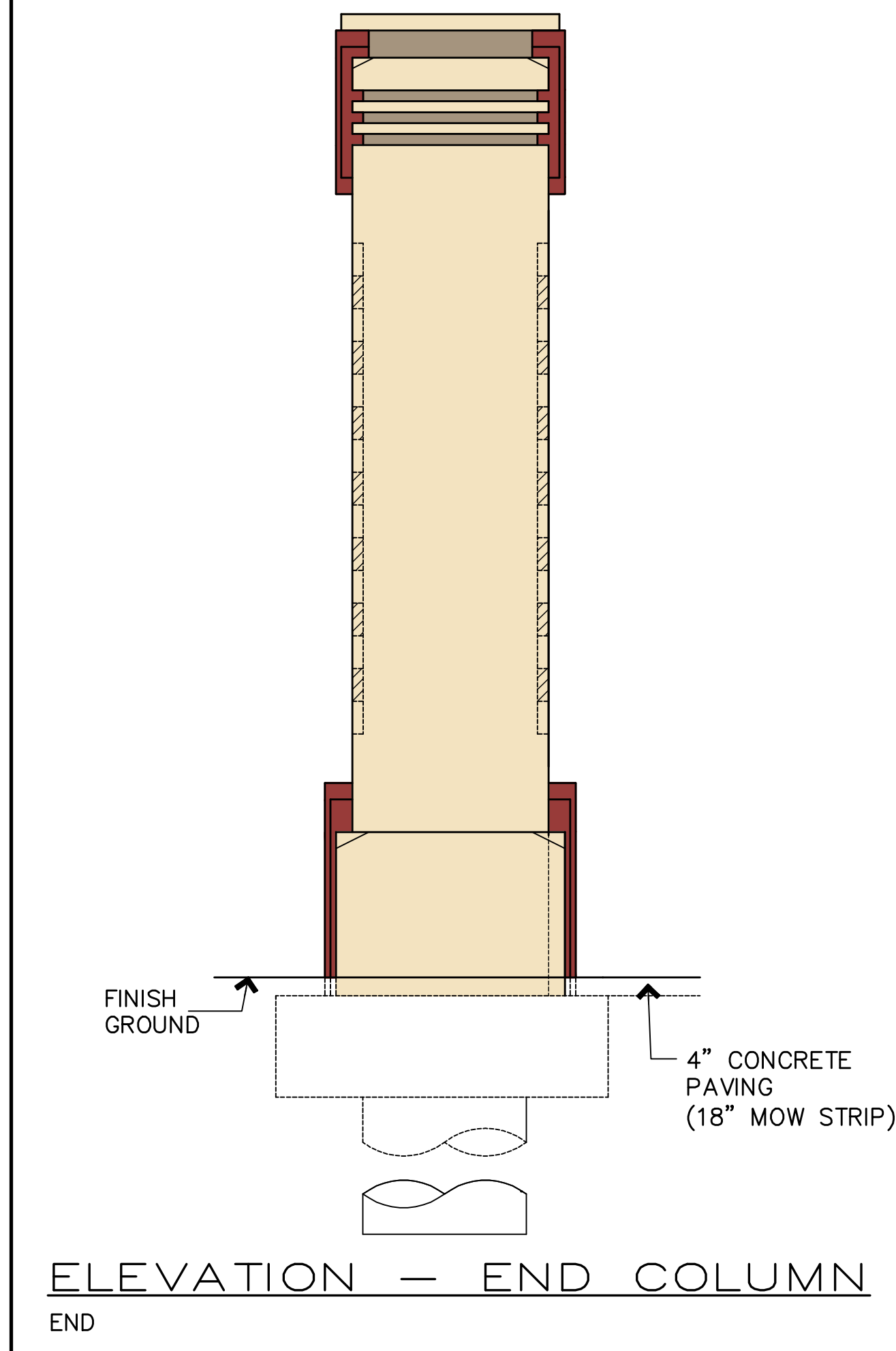


ELEVATION - END COLUMN  
FRONT AND BACK

ELEVATION - PRIVATE SIDE

ELEVATION - HIGHWAY SIDE

TYPICAL WALL ELEVATIONS



This Document is Preliminary in Nature and is Not a Final, Signed and Sealed Document



Design	CKS	<b>I-44 (SKELLY DRIVE)</b>  <b>SOUND WALL DETAILS</b>  Job Piece No. <u>06374(50)</u>
Drawn	CKD	
Checked	CKE	
Approved		
Squad	C & K	
		Sheet No. <u>20</u>