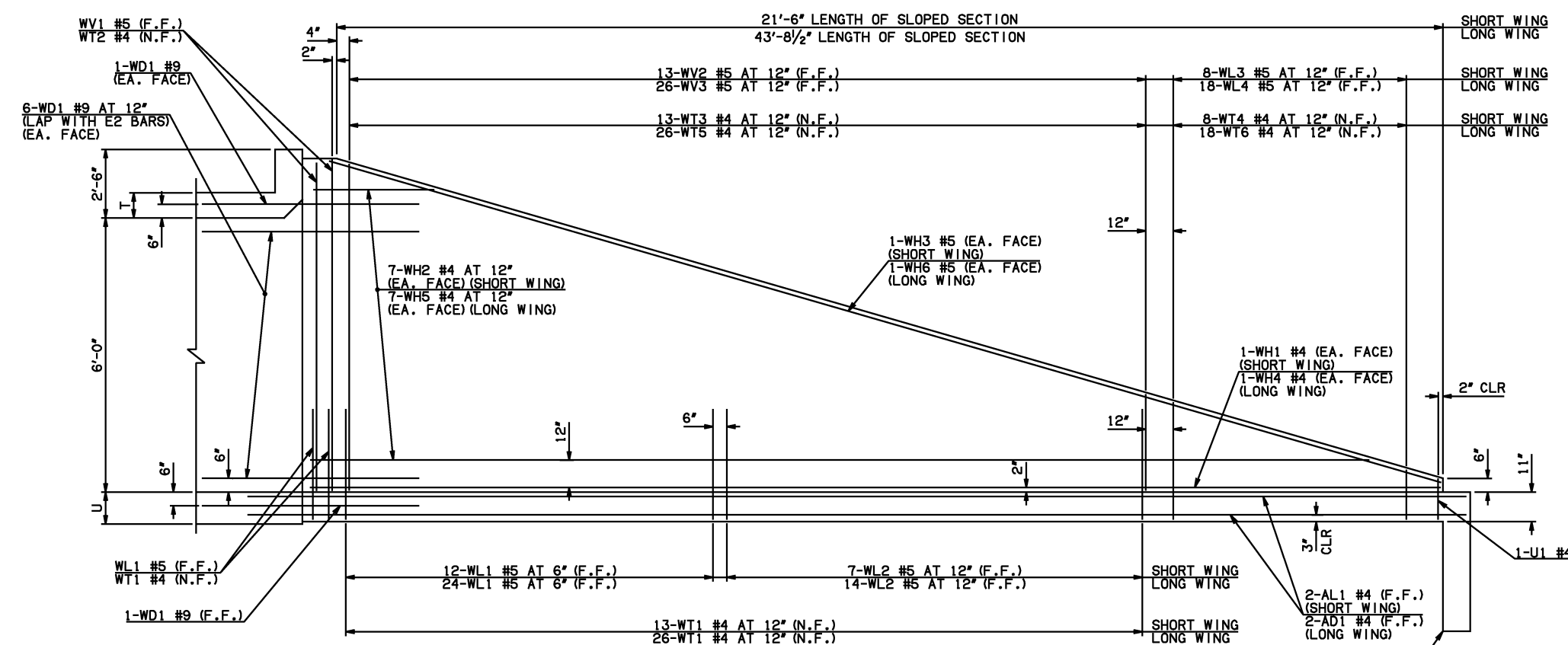
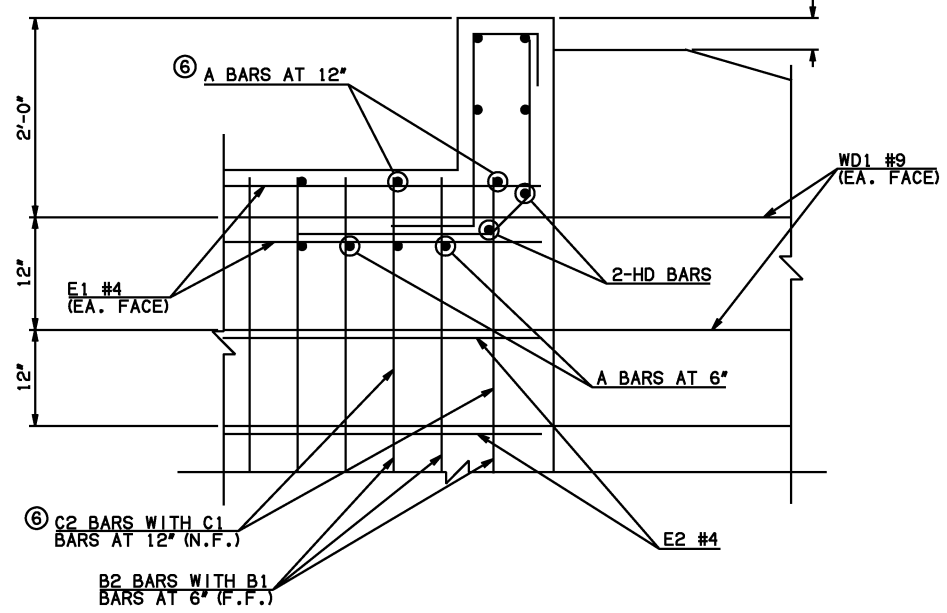


DESCRIPTION	REVISIONS	DATE

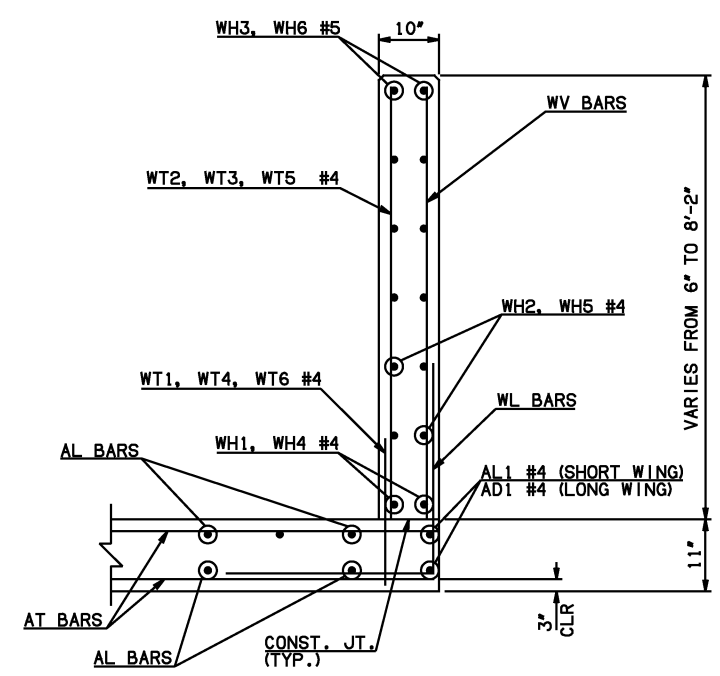


NOTE: F.F. = FAR FACE
N.F. = NEAR FACE

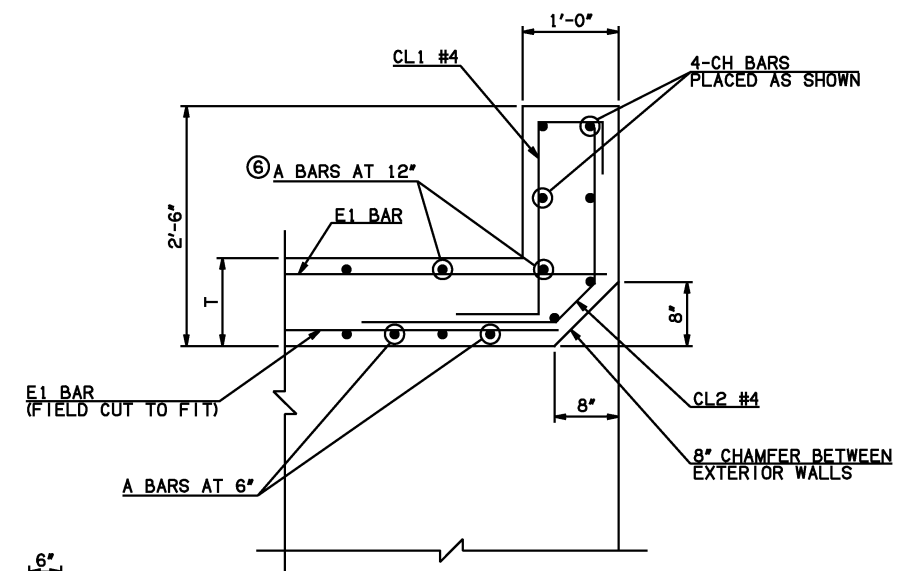
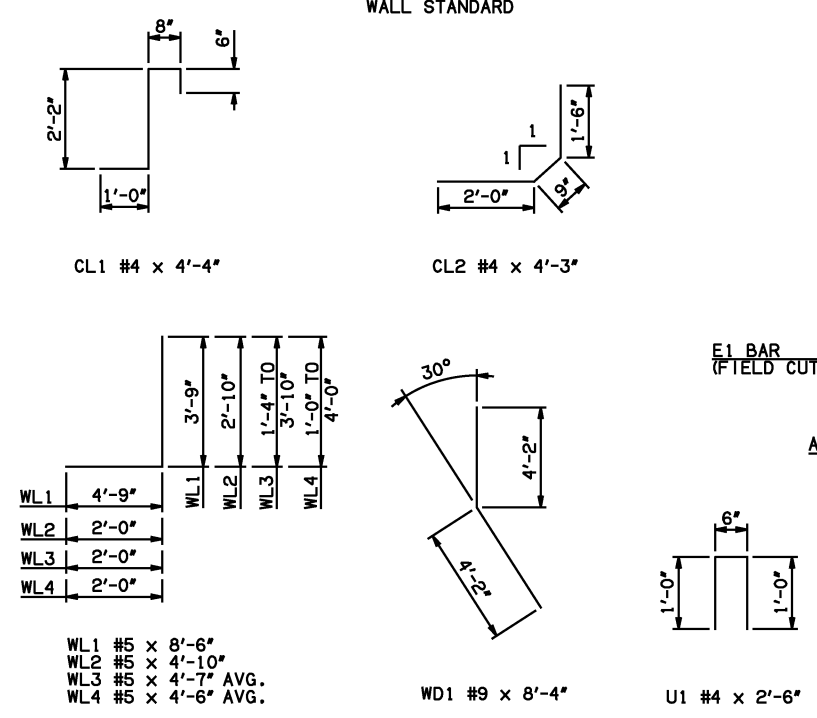
WING ELEVATION



② HEADWALL DETAIL AT EXTERIOR WALL



TYPICAL SECTION THRU WING



② HEADWALL DETAIL AT MIDSPAN

DIMENSION SHOWN NORMAL TO HEADWALL
NOTES:
① QUANTITY SHOWN REPRESENTS TWO SETS.
② FOR FURTHER INFORMATION REGARDING END SECTION BARS A, B, C, E1, AND E2, REFER TO RCB CULVERT - BARREL DETAILS.
③ NOT PRESENT IN 6' OR 8' SPANS.

WINGWALL BAR LIST (LONG AND SHORT WING INCLUDED)					
MARK	SIZE	QTY.	FORM	LENGTH	REMARKS
WD1	#9	30	BNT	8'-4"	
WH1	#4	2	STR	22'-4"	
WH2	#4	14	STR	11'-8" AVG.	3'-3" TO 20'-1"
WH3	#5	2	STR	22'-7"	
WH4	#4	2	STR	44'-6"	
WH5	#4	14	STR	22'-9 1/2" AVG.	5'-8" TO 39'-11"
WH6	#5	2	STR	44'-2"	
WL1	#5	40	BNT	8'-6"	
WL2	#5	21	BNT	4'-10"	
WL3	#5	8	BNT	4'-7" AVG.	3'-4" TO 5'-10"
WL4	#5	18	BNT	4'-6" AVG.	3'-0" TO 6'-0"
WT1	#4	44	STR	2'-10"	
WT2	#4	5	STR	8'-0"	
WT3	#4	13	STR	5'-8 1/2" AVG.	3'-7" TO 7'-10"
WT4	#4	8	STR	2'-7" AVG.	1'-4" TO 3'-10"
WT5	#4	26	STR	5'-8 1/2" AVG.	3'-6" TO 7'-11"
WT6	#4	18	STR	2'-6" AVG.	1'-0" TO 4'-0"
WV1	#5	4	STR	8'-0"	
WV2	#5	13	STR	5'-8 1/2" AVG.	3'-7" TO 7'-10"
WV3	#5	26	STR	5'-8 1/2" AVG.	3'-6" TO 7'-11"
U1	#4	2	BNT	2'-6"	

HEADWALL BAR LIST

ONE HEADWALL SHOWN																			
MARK	FORM	6' SPAN			8' SPAN			10' SPAN			12' SPAN			14' SPAN			16' SPAN		
		SIZE	QTY.	LENGTH	SIZE	QTY.	LENGTH	SIZE	QTY.	LENGTH	SIZE	QTY.	LENGTH	SIZE	QTY.	LENGTH	SIZE	QTY.	LENGTH
CH	STR	#4	4	8'-10"	#4	4	11'-4"	#4	4	14'-1"	#4	4	16'-4"	#4	4	18'-8"	#5	4	21'-4"
CL1	BNT	#4	9	4'-4"	#4	12	4'-4"	#4	14	4'-4"	#4	17	4'-4"	#4	19	4'-4"	#4	21	4'-4"
CL2	BNT	#4	9	4'-3"	#4	12	4'-3"	#4	14	4'-3"	#4	17	4'-3"	#4	19	4'-3"	#4	21	4'-3"
HD	STR	#6	2	8'-10"	#6	2	11'-4"	#8	2	14'-1"	#8	2	16'-4"	#8	2	18'-8"	#9	2	21'-4"

APPROVED BY BRIDGE ENGINEER *Scott L. Smith* DATE 4/2/10

OKLAHOMA DEPT. OF TRANSPORTATION
BRIDGE STANDARD (ENGLISH)
RCB CULVERTS - END SECTION DETAILS
SINGLE CELL - 6'-0" HEIGHT - 30°
SHEET NO. 3 OF 3

2009 SPECIFICATIONS RCB-E1-H6-30-3 01E B-674E