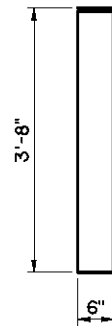
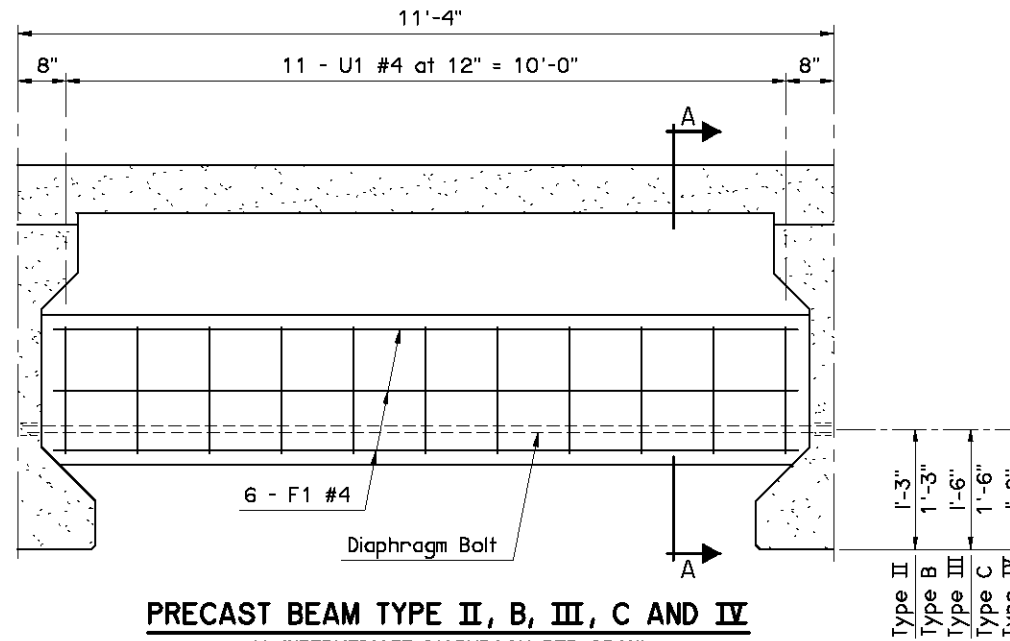


- U1 #4 x 3'-5" - Type II
- U1 #4 x 3'-3" - Type B
- U1 #4 x 4'-1" - Type III
- U1 #4 x 3'-7" - Type C
- U1 #4 x 4'-9" - Type IV

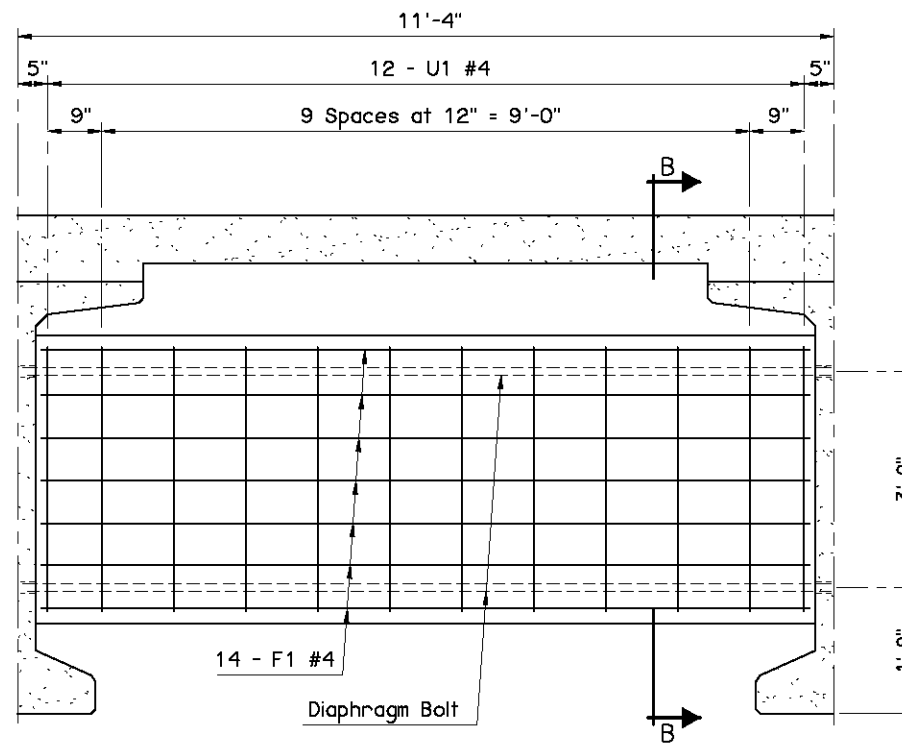
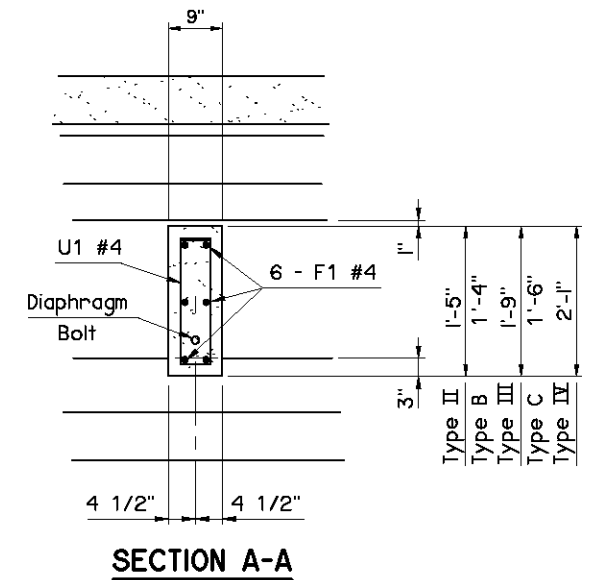


- U1 #4 x 8'-10" - Type BT-72
- U1 #4 x 8'-10" - Type J

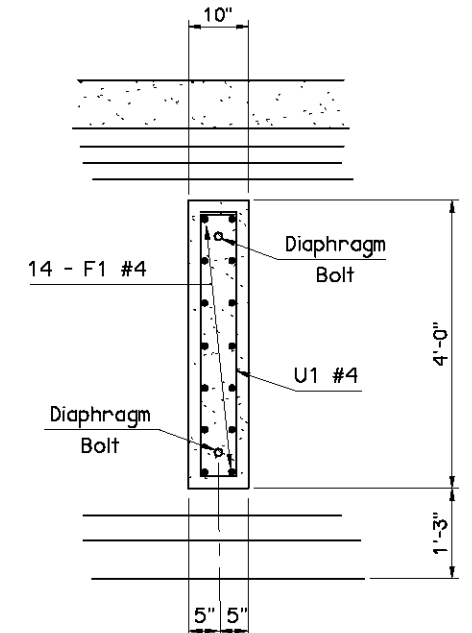
INTERMEDIATE DIAPHRAGM BAR LIST ONE DIAPHRAGM SHOWN					
P.C. BEAM	MARK	SIZE	NO.	FORM	LENGTH
TYPE II	U1	#4	33	BNT.	3'-5"
	F1	#4	18	STR.	10'-6"
TYPE B	U1	#4	33	BNT.	3'-3"
	F1	#4	18	STR.	10'-6"
TYPE III	U1	#4	33	BNT.	4'-1"
	F1	#4	18	STR.	10'-5"
TYPE C	U1	#4	33	BNT.	3'-7"
	F1	#4	18	STR.	10'-5"
TYPE IV	U1	#4	33	BNT.	4'-9"
	F1	#4	18	STR.	10'-4"
TYPE BT-72	U1	#4	36	BNT.	8'-10"
	F1	#4	42	STR.	10'-6"
TYPE J	U1	#4	36	BNT.	8'-10"
	F1	#4	42	STR.	10'-6"



PRECAST BEAM TYPE II, B, III, C AND IV
(1 INTERMEDIATE DIAPHRAGM PER SPAN)



PRECAST BEAM TYPE BT-72 AND J
(2 INTERMEDIATE DIAPHRAGMS PER SPAN)



SECTION B-B

DIAPHRAGM DETAILS

APPROVED BY BRIDGE ENGINEER *Scott J. Smith* DATE *4/2/10*

OKLAHOMA DEPT. OF TRANSPORTATION
BRIDGE STANDARD (ENGLISH)
INTERMEDIATE DIAPHRAGM DETAILS
P.C. BEAMS
CONVENTIONAL

2009 SPECIFICATIONS | B40-C-DIA-INT-PCB | 01E
B-375E