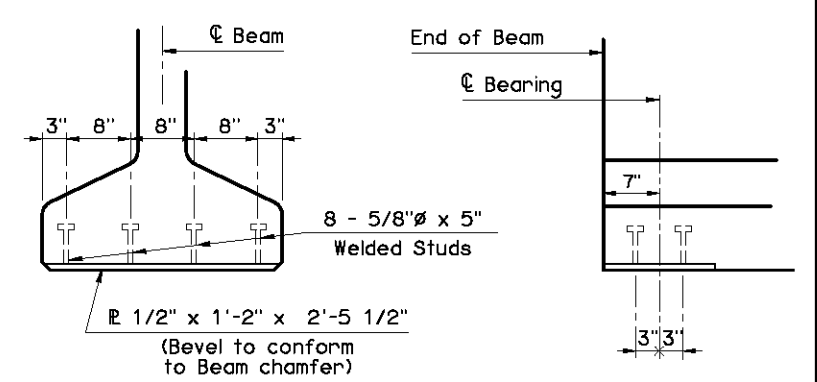
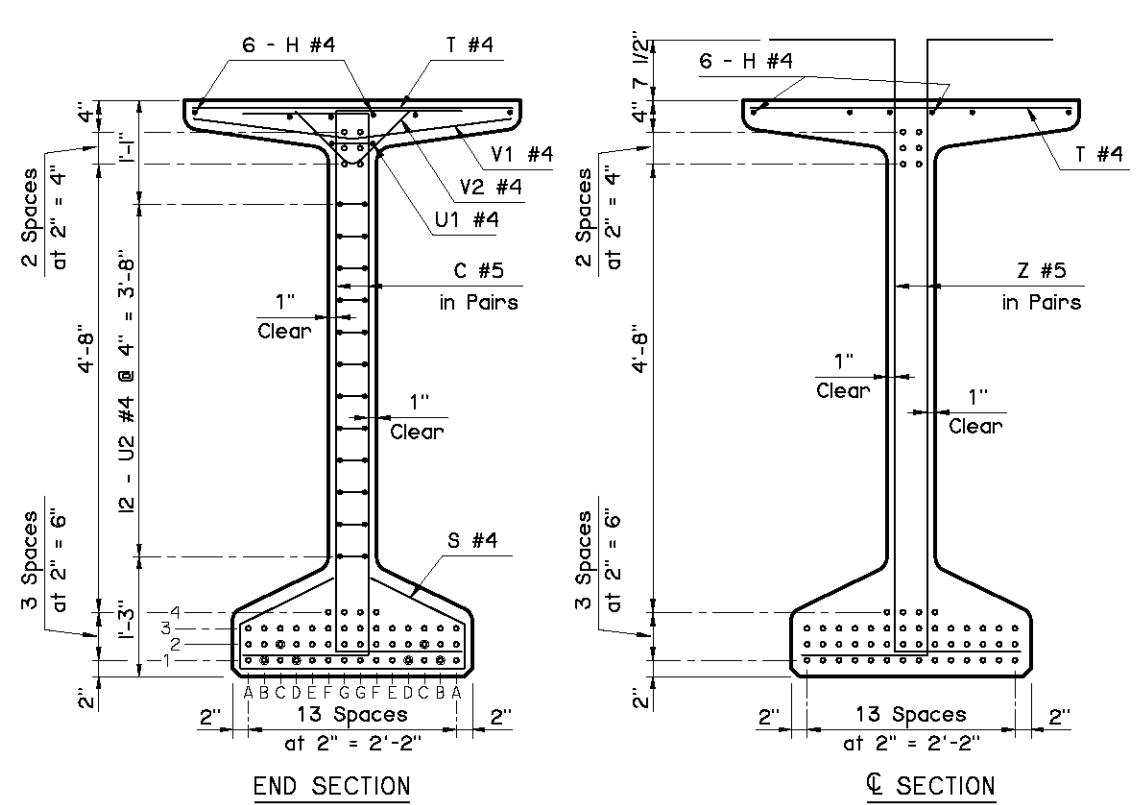


EMBEDDED BEAM PLATE DETAILS
 NOTE: Provide an Embedded Beam Plate at expansion ends only.



EMBEDDED SOLE PLATE DETAILS
 NOTE: Provide an Embedded Sole Plate at each end of the beam.

DEBOND SCHEDULE	
DEBOND PAIR	DEBOND LENGTH FROM END OF BEAM
B1	18'-0"
D1	12'-0"
C2	6'-0"

BEAM SECTIONS
 (52 - 0.6" Ø STRANDS)

APPROVED BY BRIDGE ENGINEER *Scott J. Smith* DATE *4/2/10*

OKLAHOMA DEPT. OF TRANSPORTATION
 BRIDGE STANDARD (ENGLISH)
TYPE J P.C. BEAM DETAILS
130' SPAN
CONVENTIONAL (SHEET 2 OF 2)

2009 SPECIFICATIONS | B40-C-PCB-J-130-2 | OOE | B-343E