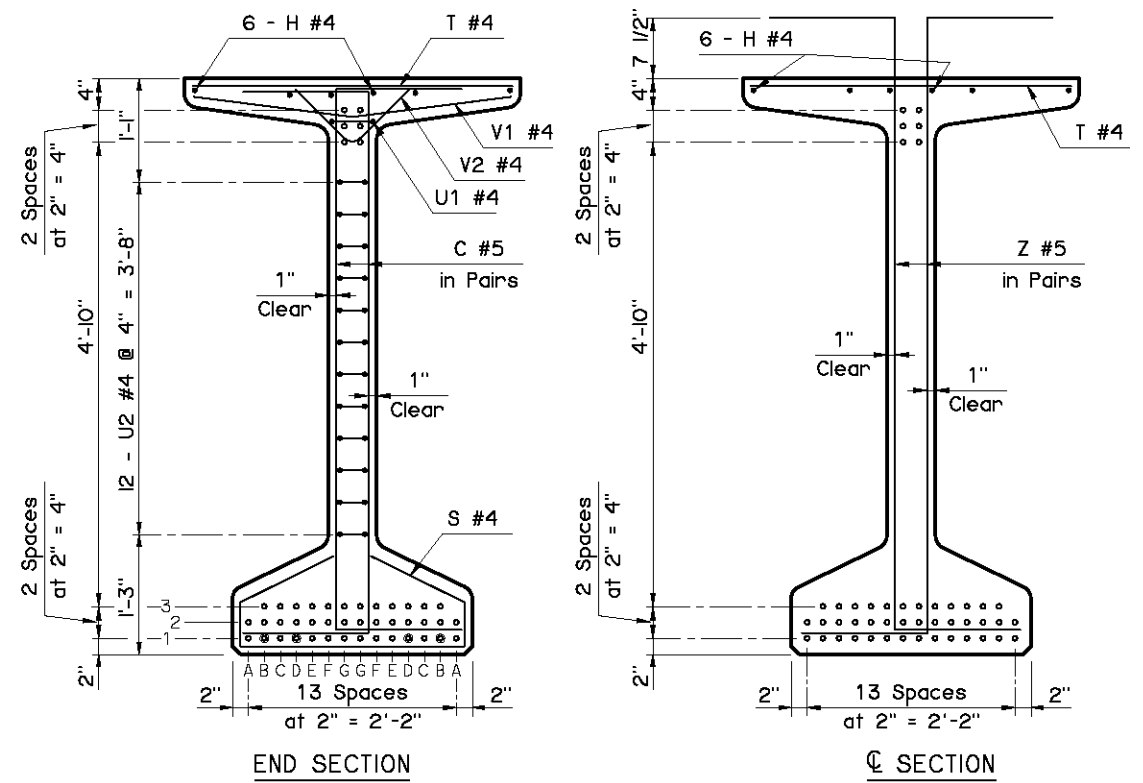
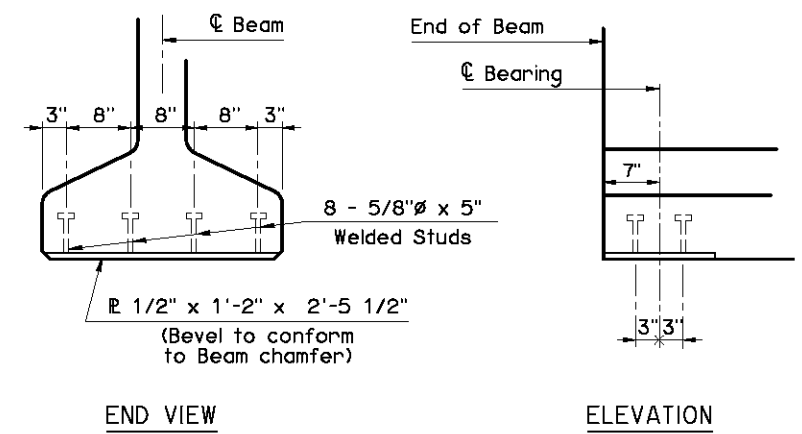


EMBEDDED BEAM PLATE DETAILS
 NOTE: Provide an Embedded Beam Plate at expansion ends only.



BEAM SECTIONS
 (46 - 0.6" Ø STRANDS)



EMBEDDED SOLE PLATE DETAILS

NOTE: Provide an Embedded Sole Plate at each end of the Beam.

DEBOND SCHEDULE	
DEBOND PAIR	DEBOND LENGTH FROM END OF BEAM
B1	12'-0"
D1	6'-0"

APPROVED BY BRIDGE ENGINEER *Scott J. Smith* DATE *4/2/10*

OKLAHOMA DEPT. OF TRANSPORTATION
 BRIDGE STANDARD (ENGLISH)
TYPE J P.C. BEAM DETAILS
 120' SPAN
CONVENTIONAL (SHEET 2 OF 2)

2009 SPECIFICATIONS | B40-C-PCB-J-120-2 | 01E | B-339E