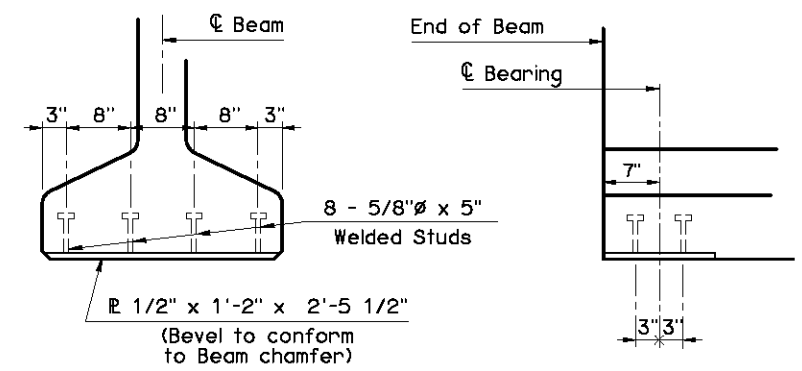
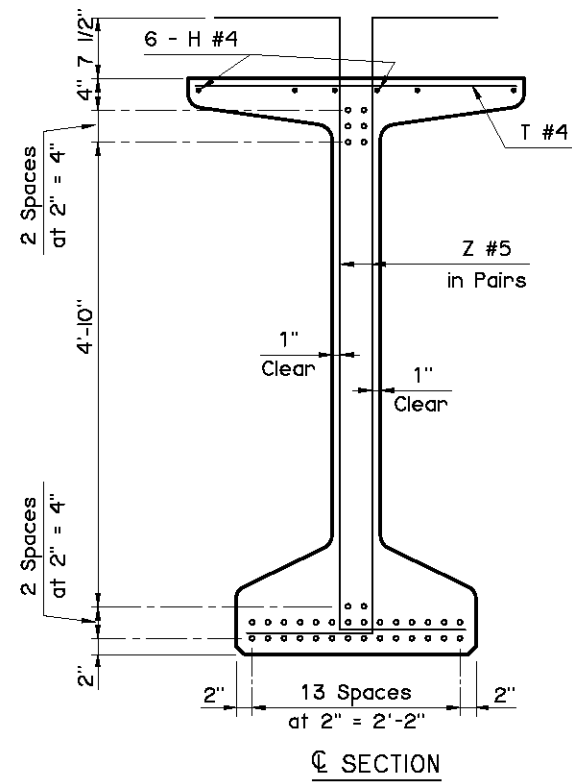
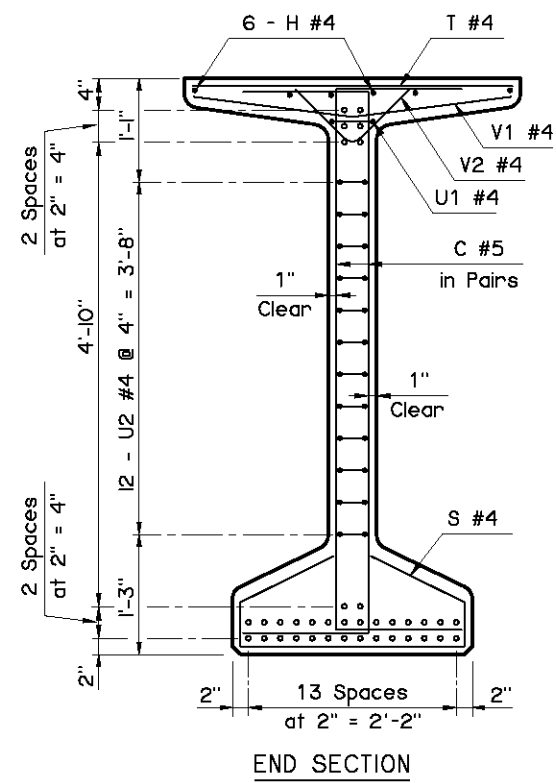


EMBEDDED BEAM PLATE DETAILS

NOTE:
Provide an Embedded Beam Plate at expansion ends only.



EMBEDDED SOLE PLATE DETAILS

NOTE:
Provide an Embedded Sole Plate at each end of the Beam.

BEAM SECTIONS
(36 - 0.6" STRANDS)

APPROVED BY BRIDGE ENGINEER	<i>Scott J. Smith</i>	DATE	4/2/10
OKLAHOMA DEPT. OF TRANSPORTATION BRIDGE STANDARD (ENGLISH)			
TYPE J P.C. BEAM DETAILS			
105' SPAN			
CONVENTIONAL (SHEET 2 OF 2)			
2009 SPECIFICATIONS	B40-C-PCB-J-105-2	01E	B-333E