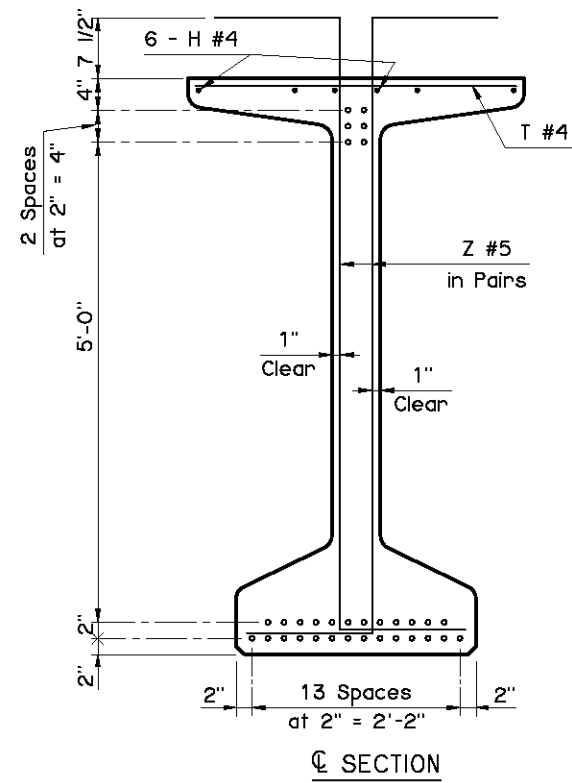
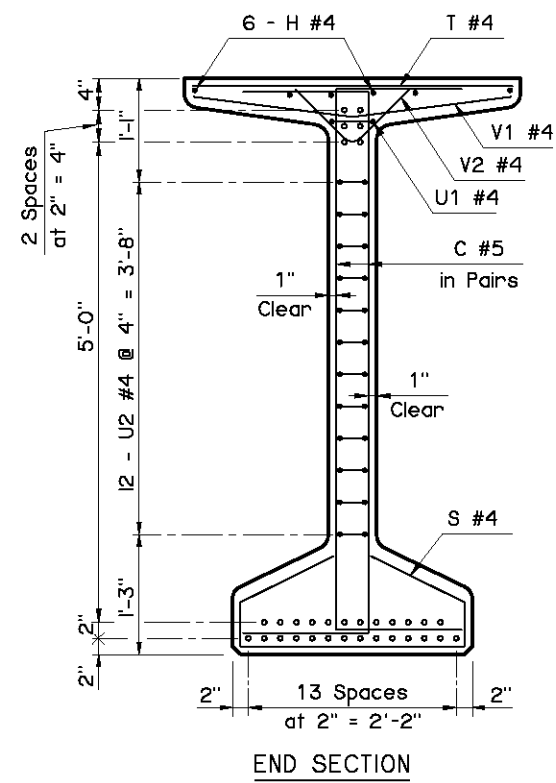
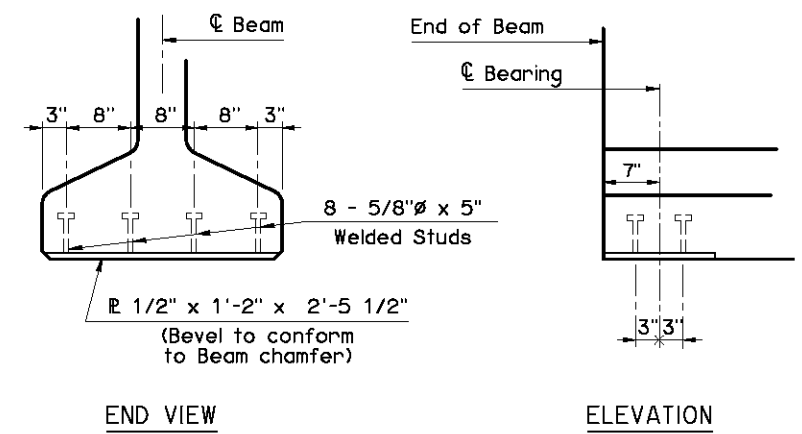


EMBEDDED BEAM PLATE DETAILS

NOTE:
Provide an Embedded Beam Plate at expansion ends only.



BEAM SECTIONS
(32 - 0.6" STRANDS)



EMBEDDED SOLE PLATE DETAILS

NOTE:
Provide an Embedded Sole Plate at each end of the Beam.

APPROVED BY BRIDGE ENGINEER *Scott J. Smith* DATE *4/2/10*

OKLAHOMA DEPT. OF TRANSPORTATION
BRIDGE STANDARD (ENGLISH)
TYPE J P.C. BEAM DETAILS
100' SPAN
CONVENTIONAL (SHEET 2 OF 2)

2009 SPECIFICATIONS | B40-C-PCB-J-100-2 | 01E
B-331E