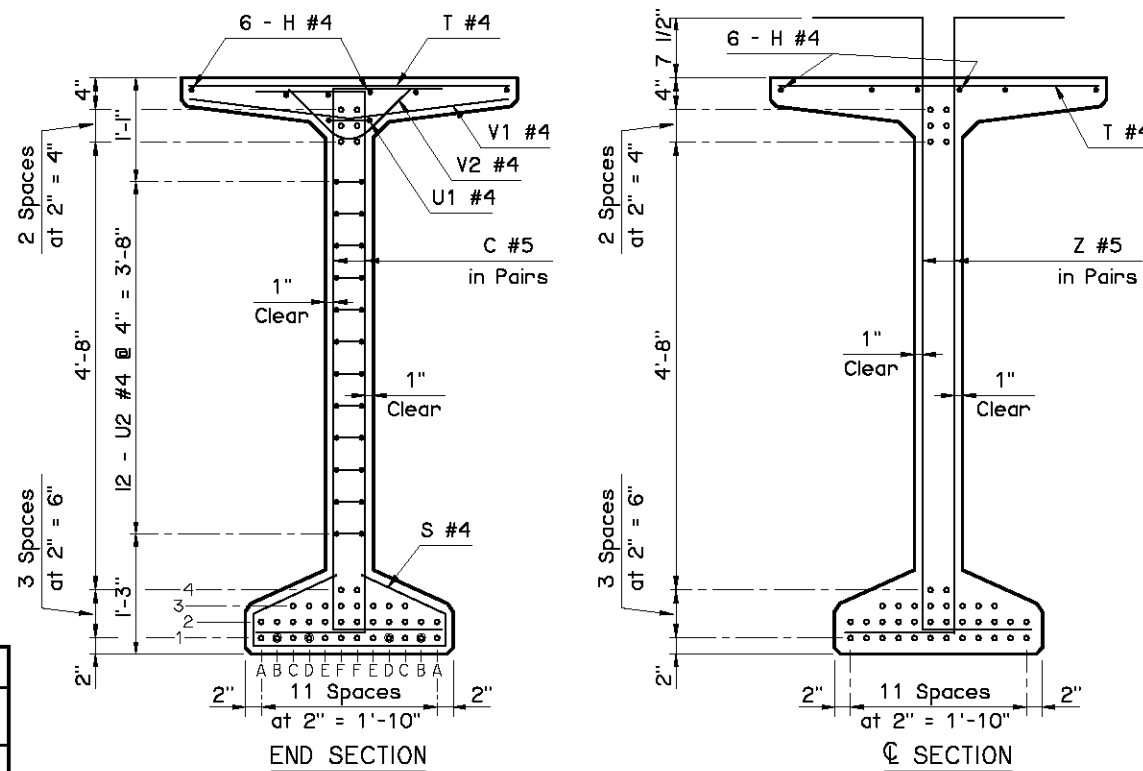
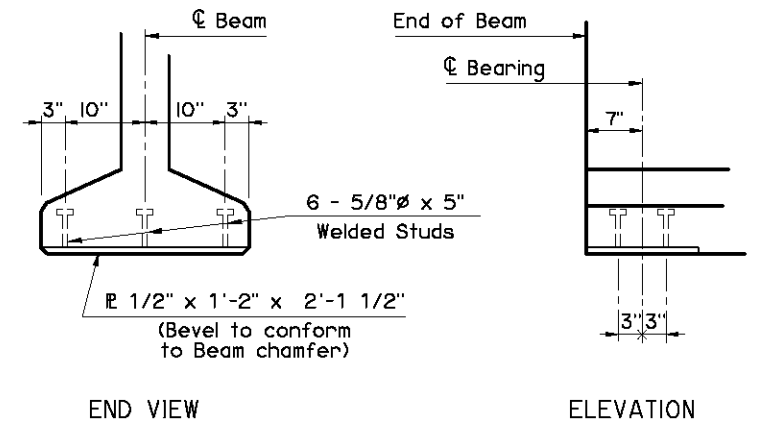


**EMBEDDED BEAM PLATE DETAILS**

NOTE:  
Provide an Embedded Beam Plate at expansion ends only.



**BEAM SECTIONS**  
(40 - 0.6"Ø STRANDS)



**EMBEDDED SOLE PLATE DETAILS**

NOTE:  
Provide an Embedded Sole Plate at each end of the Beam.

DEBOND SCHEDULE	
DEBOND PAIR	DEBOND LENGTH FROM END OF BEAM
B1	10'-0"
D1	5'-0"

APPROVED BY BRIDGE ENGINEER *Scott J. Smith* DATE *4/2/10*

OKLAHOMA DEPT. OF TRANSPORTATION  
BRIDGE STANDARD (ENGLISH)  
**TYPE BT-72 P.C. BEAM DETAILS**  
**110' SPAN**  
**CONVENTIONAL (SHEET 2 OF 2)**

2009 SPECIFICATIONS | B40-C-PCB-BT-110-2 | 01E | B-323E