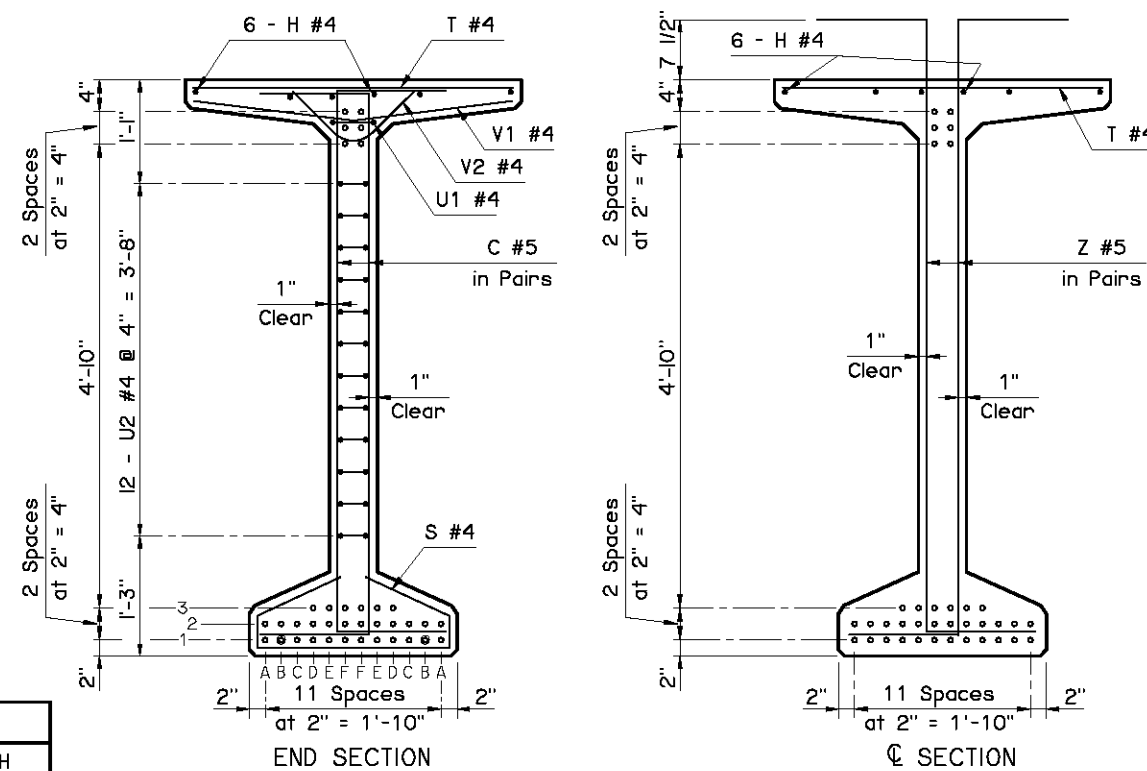
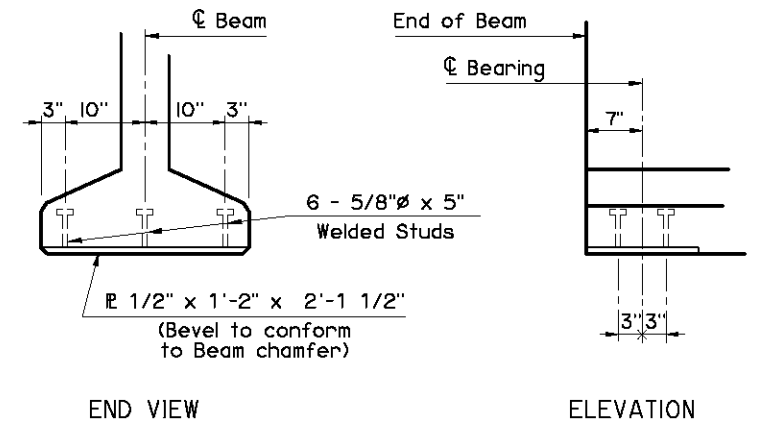


EMBEDDED BEAM PLATE DETAILS

NOTE:
Provide an Embedded Beam Plate at expansion ends only.



BEAM SECTIONS
(36 - 0.6"Ø STRANDS)



EMBEDDED SOLE PLATE DETAILS

NOTE:
Provide an Embedded Sole Plate at each end of the Beam.

DEBOND SCHEDULE	
DEBOND PAIR	DEBOND LENGTH FROM END OF BEAM
B1	8'-0"

APPROVED BY BRIDGE ENGINEER *Scott J. Smith* DATE *4/2/10*

OKLAHOMA DEPT. OF TRANSPORTATION
BRIDGE STANDARD (ENGLISH)
TYPE BT-72 P.C. BEAM DETAILS
105' SPAN
CONVENTIONAL (SHEET 2 OF 2)

2009 SPECIFICATIONS | B40-C-PCB-BT-105-2 | 01E | B-321E