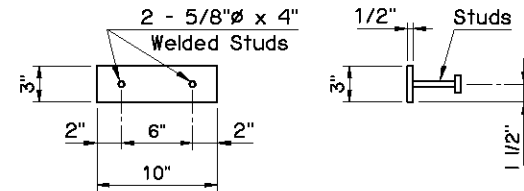


ELEVATION

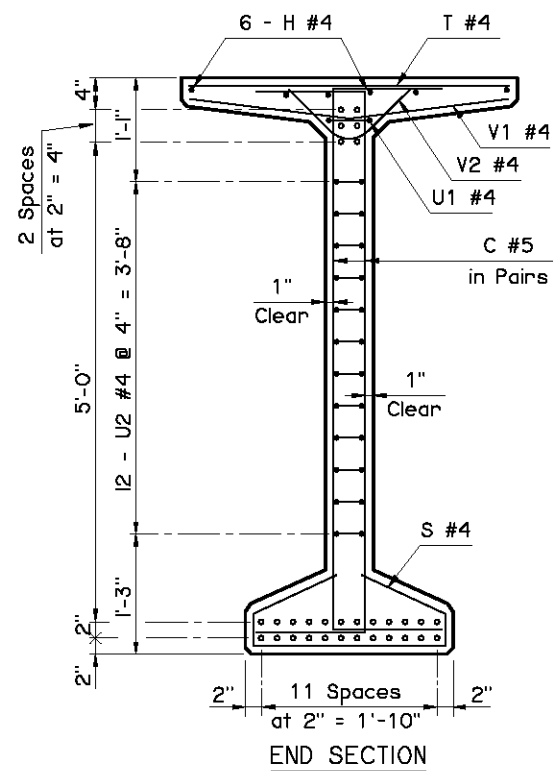
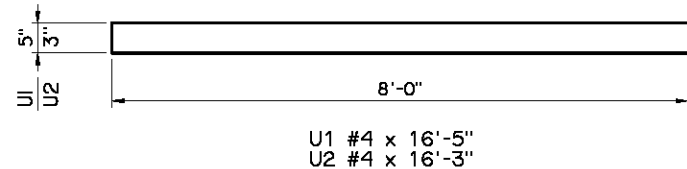


TOP VIEW

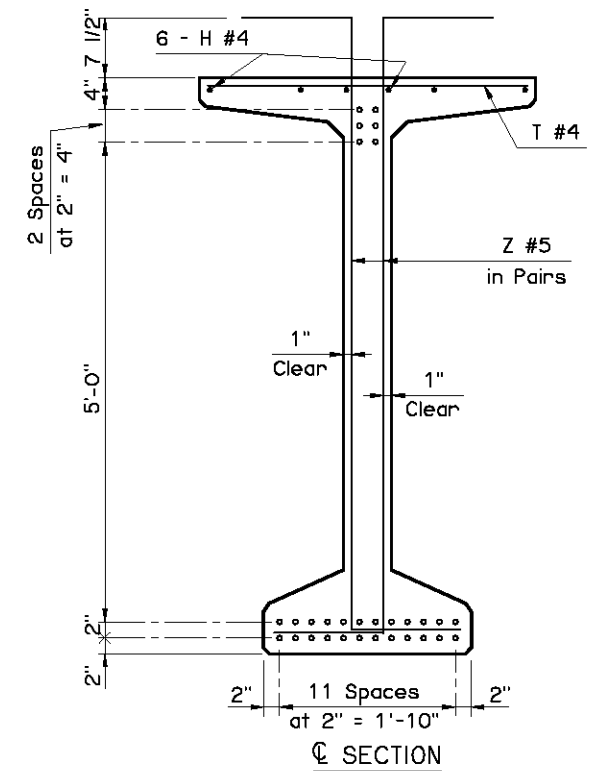
END VIEW

EMBEDDED BEAM PLATE DETAILS

NOTE:
Provide an Embedded Beam Plate at expansion ends only.

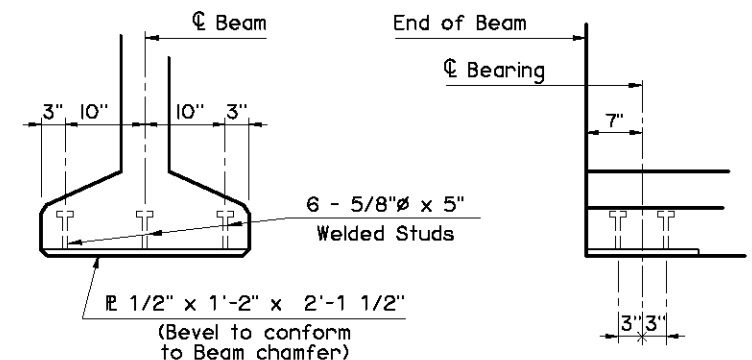


END SECTION



☺ SECTION

BEAM SECTIONS
(30 - 0.6"Ø STRANDS)



END VIEW

ELEVATION

EMBEDDED SOLE PLATE DETAILS

NOTE:
Provide an Embedded Sole Plate at each end of the Beam.

APPROVED BY BRIDGE ENGINEER *Scott J. Smith* DATE *4/2/10*

OKLAHOMA DEPT. OF TRANSPORTATION
BRIDGE STANDARD (ENGLISH)
TYPE BT-72 P.C. BEAM DETAILS
95' SPAN
CONVENTIONAL (SHEET 2 OF 2)

2009 SPECIFICATIONS | B40-C-PCB-BT-95-2 | 01E
B-317E