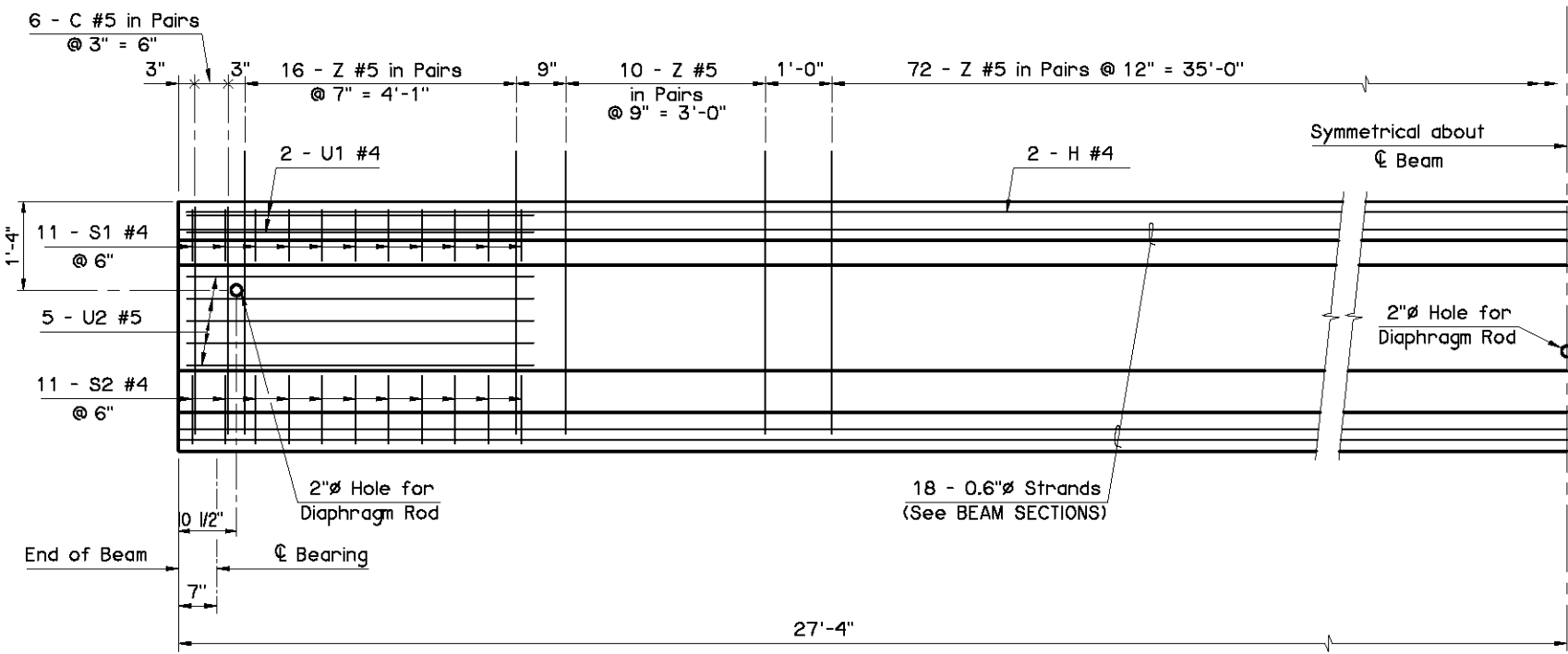
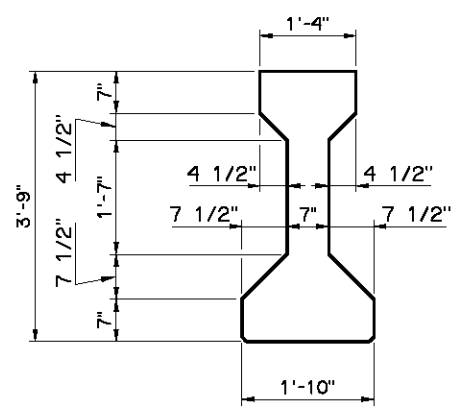


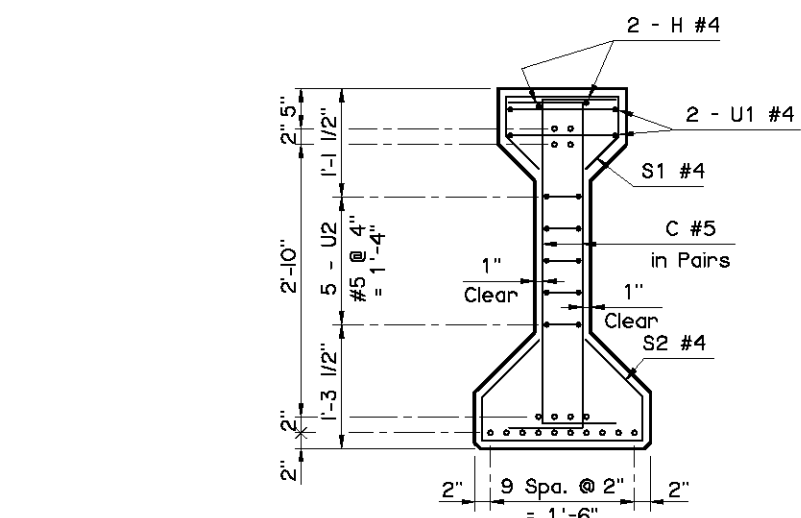
**PLAN**



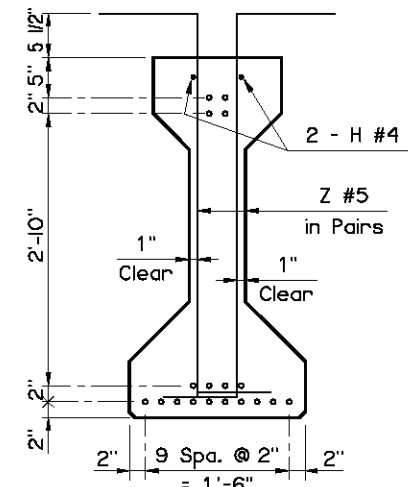
**ELEVATION**



**END VIEW**  
(Type III P.C.B.)



**END SECTION**

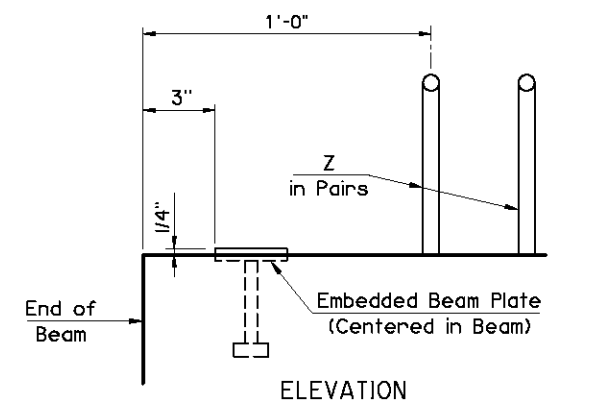


**C SECTION**

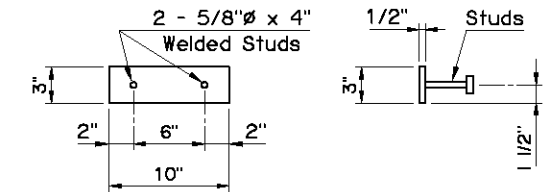
**BEAM SECTIONS**  
(18 - 0.6" STRANDS)

Information shown on this sheet is applicable only to the standard bridge cross-section with 40' Clear Roadway, 8" Deck Slab and 4 Beams at 11'-4" spacing. Any deviation requires custom design and details with an appropriate Dead Load Deflection Diagram.

**PRESTRESSED CONCRETE BEAM NOTES**  
**COMPRESSIVE STRENGTH**  
 Provide concrete with a compressive strength of 4,500 p.s.i. at transfer of prestress and 6,000 p.s.i. at 28 days.  
**STRAND TYPE**  
 Provide low-relaxation strands having a nominal diameter of 0.6" with ultimate tensile strength of 270 k.s.i.  
**LFD OPERATING RATING - HS 38.4**  
 The Operating Rating shown is based on a nominal strength using only strands that are bonded for the full length of the beam. All partially bonded strands are neglected in strength computations.



**ELEVATION**

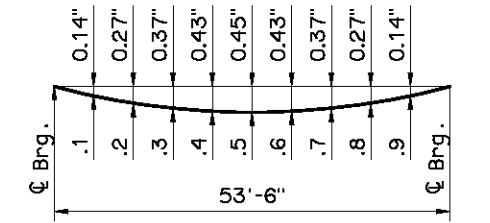


**TOP VIEW**

**END VIEW**

**EMBEDDED BEAM PLATE DETAILS**

**NOTE:**  
 Provide an Embedded Beam Plate at expansion ends only.



**DEAD LOAD DEFLECTION DIAGRAM**

**NOTE:**  
 The Dead Load Deflection shown above at the tenth points are the initial deflections due to Deck Slab + Diaphragms + Haunch + S.I.P. Steel Deck Form Allowance + Concrete Traffic Rail. It does not include the Beam weight or Future Wearing Surface.

APPROVED BY BRIDGE ENGINEER *David J. Smith* DATE *4/2/10*

OKLAHOMA DEPT. OF TRANSPORTATION  
 BRIDGE STANDARD (ENGLISH)  
**TYPE III P.C. BEAM DETAILS**  
**55' SPAN**  
**CONVENTIONAL**

2009 SPECIFICATIONS | B40-C-PCB-III-55 | 01E  
 B-291E