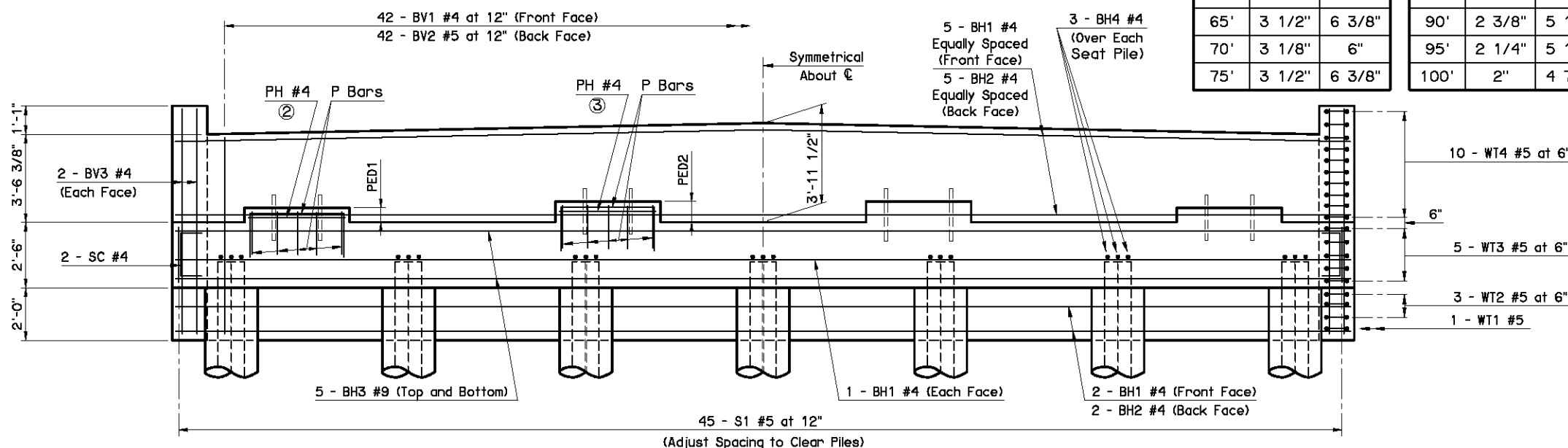


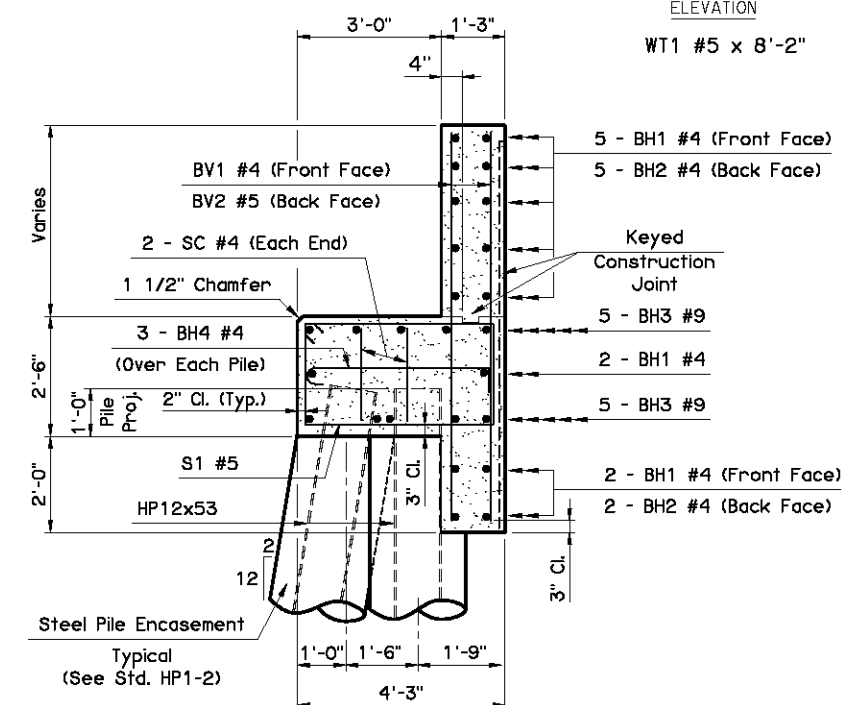
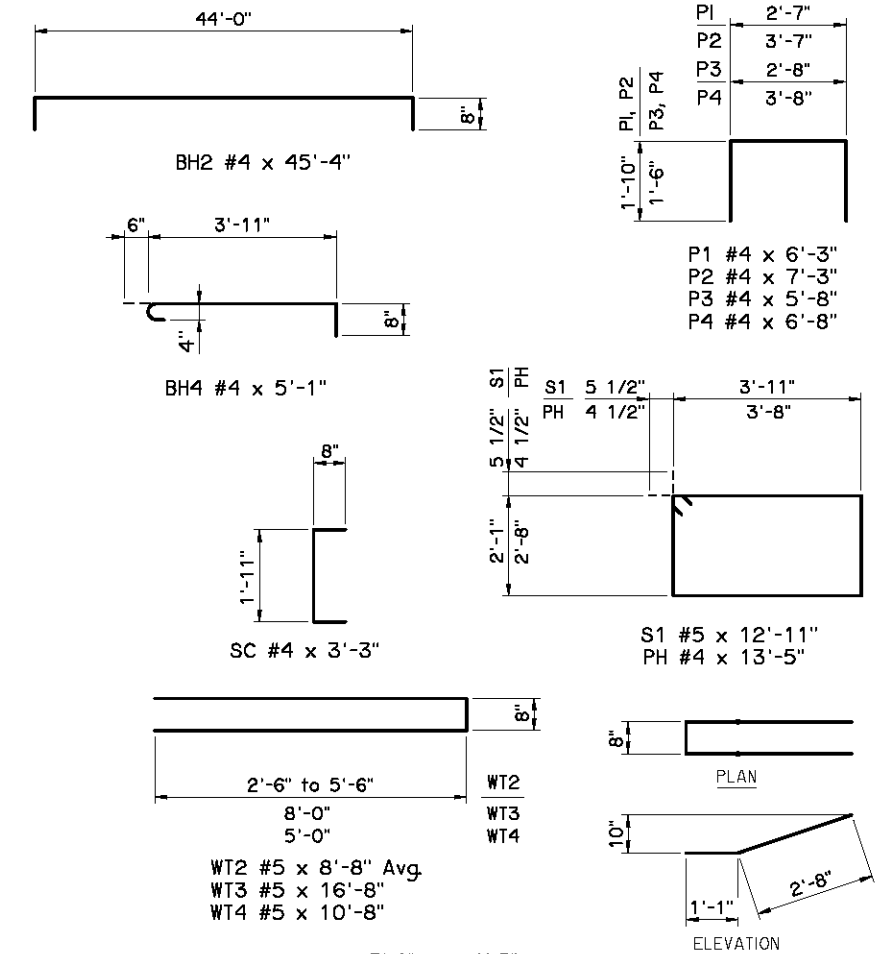
- ② One Required at 55' and 60' Spans
None Required at 65' thru 100' Spans
- ③ One Required at 55' thru 80' Spans
None Required at 85' thru 100' Spans

PLAN

PEDESTAL DIMENSIONS					
SPAN	PED1	PED2	SPAN	PED1	PED2
55'	6 5/8"	9 1/2"	80'	3 1/8"	6"
60'	6 1/4"	9 1/8"	85'	2 3/4"	5 5/8"
65'	3 1/2"	6 3/8"	90'	2 3/8"	5 1/4"
70'	3 1/8"	6"	95'	2 1/4"	5 1/8"
75'	3 1/2"	6 3/8"	100'	2"	4 7/8"



ELEVATION



TYPICAL SECTION THRU SEAT

APPROVED BY BRIDGE ENGINEER *David J. Smith* DATE 4/2/10

OKLAHOMA DEPT. OF TRANSPORTATION
BRIDGE STANDARD (ENGLISH)
ABUTMENT DETAILS
55' THRU 100' ROLLED BEAM SPANS
CONVENTIONAL (SHEET 1 OF 2)

2009 SPECIFICATIONS | B40-C-ABUT-RB-55100-1 | 01E
B-250E