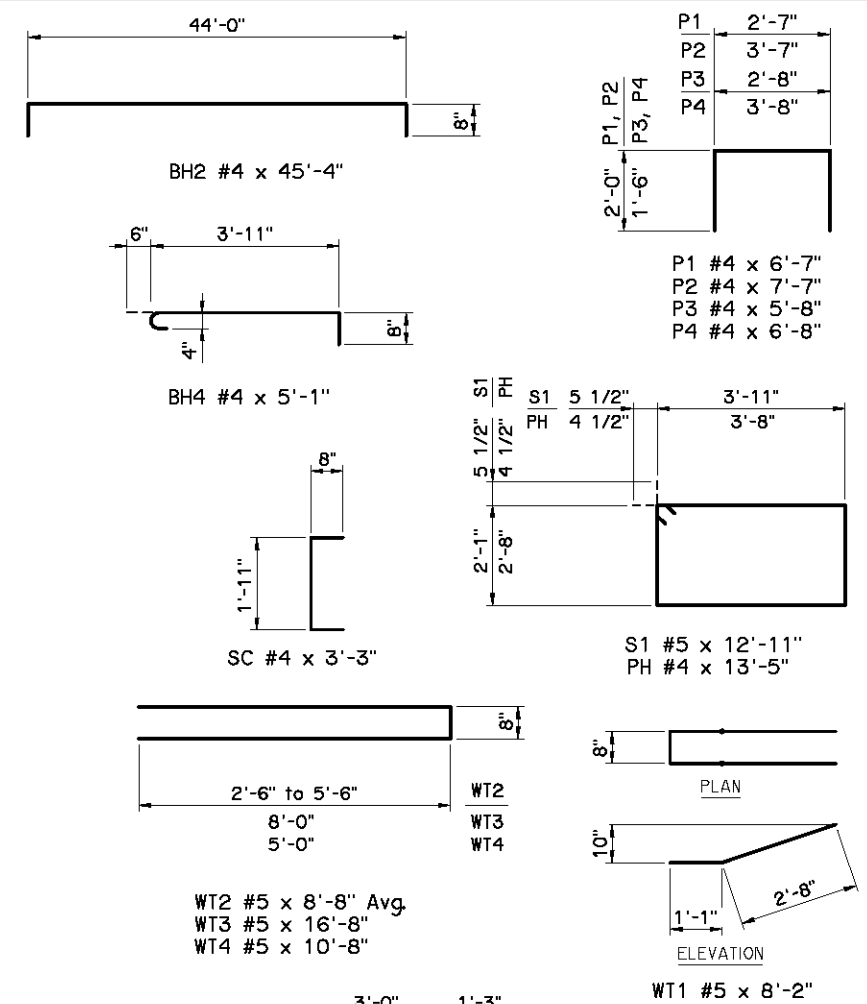
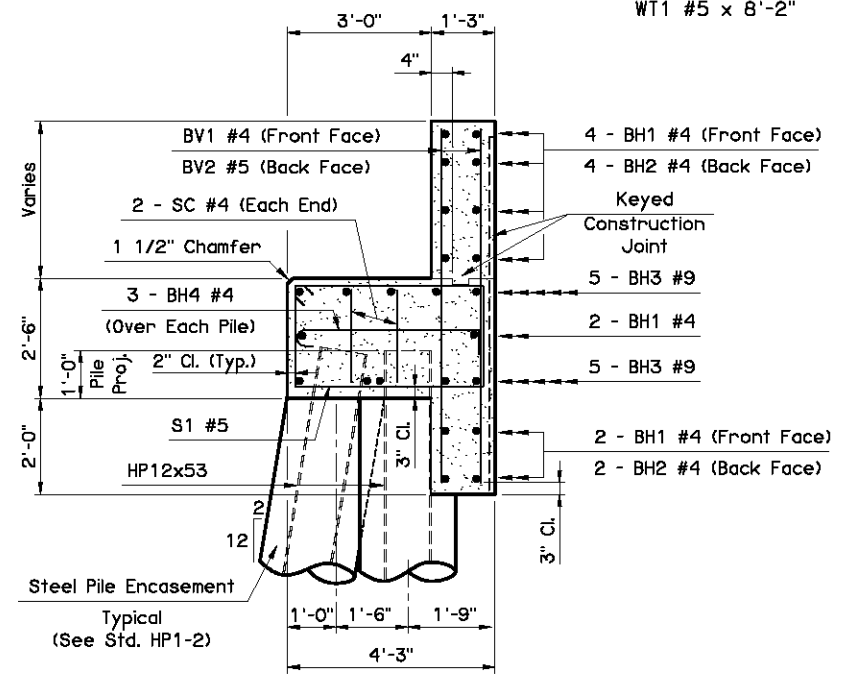
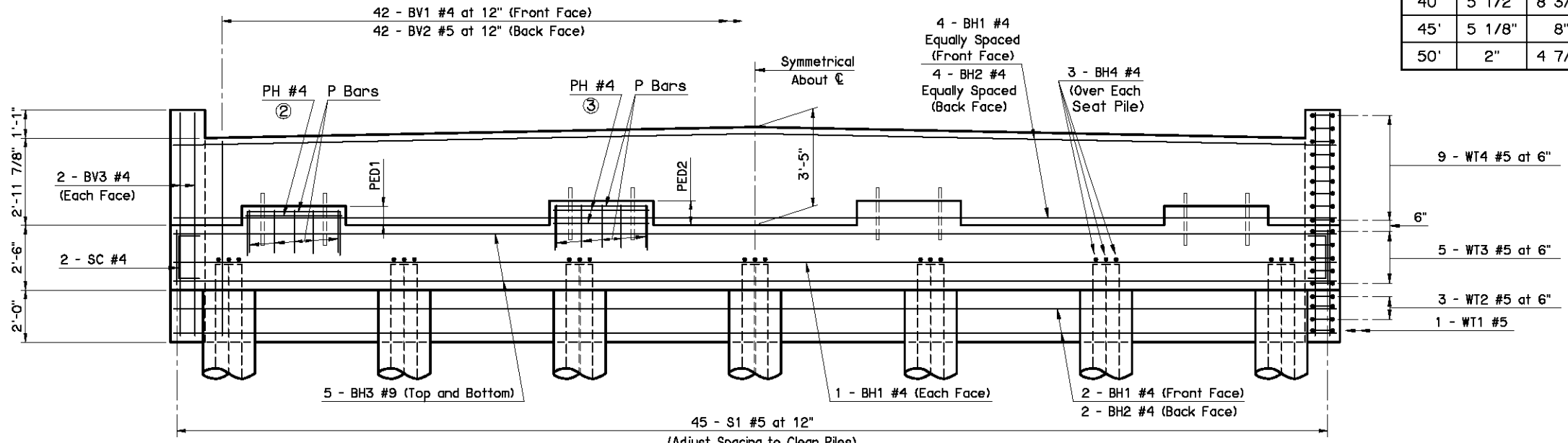


PILE SCHEDULE	
SPAN	MAXIMUM FACTORED PILE LOAD
30'	51.1 TON
35'	54.3 TON
40'	57.4 TON
45'	60.4 TON
50'	63.1 TON



- ② One Required at 30' Span
None Required at 35' thru 50' Spans
- ③ Two Required at 6" spacing at 30' Span
One Required at 35' thru 45' Spans
None Required at 50" Span

PEDESTAL DIMENSIONS		
SPAN	PED1	PED2
30'	8 3/8"	11 1/4"
35'	5 5/8"	8 1/2"
40'	5 1/2"	8 3/8"
45'	5 1/8"	8"
50'	2"	4 7/8"



TYPICAL SECTION THRU SEAT

APPROVED BY BRIDGE ENGINEER *David J. Smith* DATE *4/2/10*

OKLAHOMA DEPT. OF TRANSPORTATION
BRIDGE STANDARD (ENGLISH)
ABUTMENT DETAILS
30' THRU 50' ROLLED BEAM SPANS
CONVENTIONAL (SHEET 1 OF 2)

2009 SPECIFICATIONS | B40-C-ABUT-RB-3050-1 | 01E
B-248E