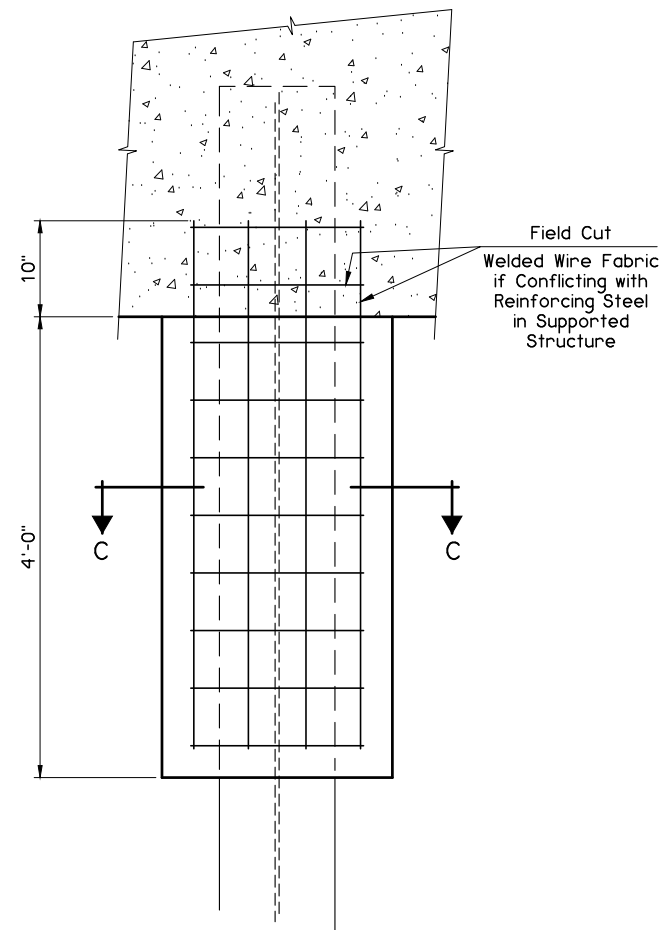
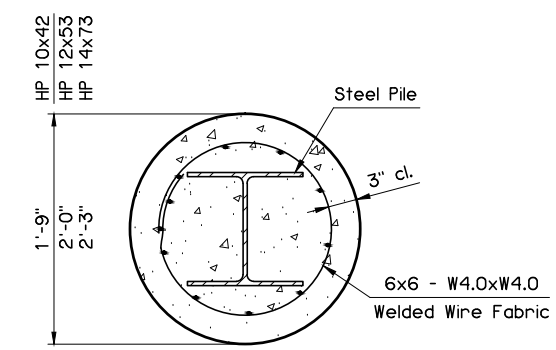


ELEVATION AT CURTAIN WALL



TYPICAL ELEVATION

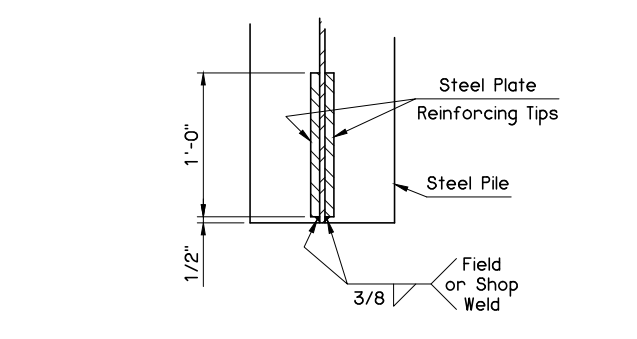


SECTION C-C

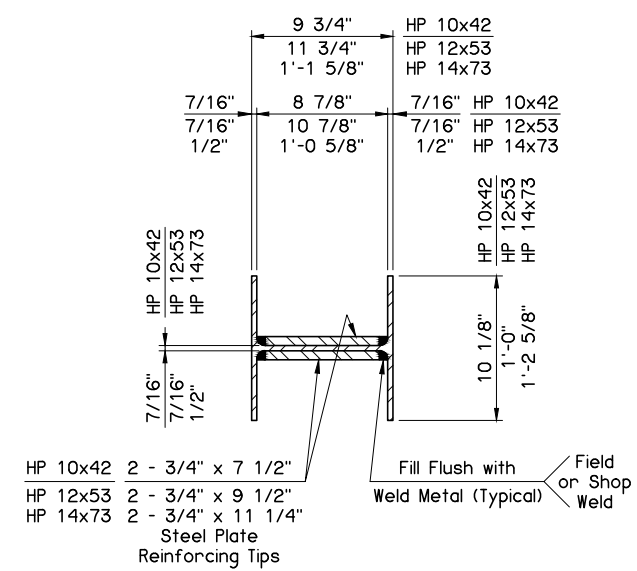
DETAIL OF STEEL PILE ENCASEMENT

NOTE:
Forms for Encasements may be omitted when soil conditions permit. Use only when specified in the plans. The Department considers the cost of Excavation, Forms, Class A Concrete and Welded Wire Fabric Reinforcing Steel for Steel Pile Encasements to be included in the contract unit price of PILES, DRIVEN.

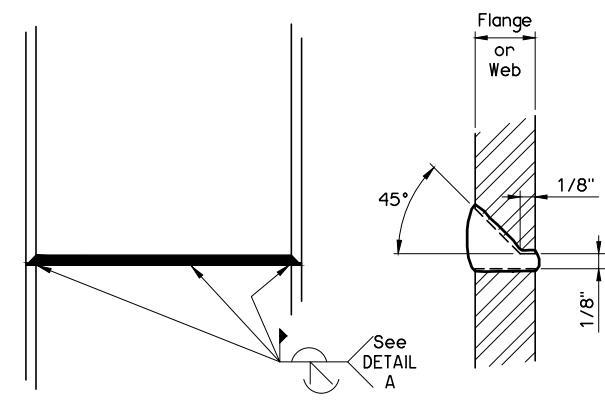
PILE ENCASEMENT QUANTITIES PER PILE				
ITEM	UNIT	HP 10x42	HP 12x53	HP 14x73
CLASS A CONCRETE	C.Y.	0.34	0.45	0.57
REINFORCING STEEL	LB.	16.2	18.3	20.3



SECTION A-A

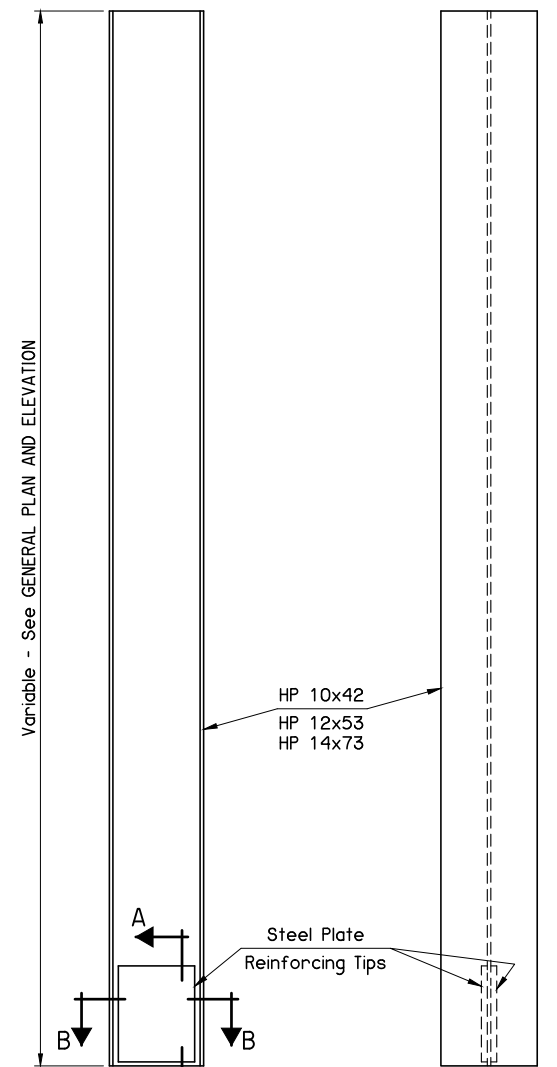


SECTION B-B



DETAIL OF WELDED SPLICE

NOTE:
The Contractor may use an ODOT approved Manufactured Pile Splice as an alternative to the Welded Splice shown.



DETAIL OF PILING

NOTE:
Provide structural steel for Piling and Steel Plate Reinforcing Tips in accordance with AASHTO M270 (ASTM A572), Grade 50. Provide Steel Plate Reinforcing Tips for all Piling unless specifically deleted by notes in the Project Plans and Specifications. The Contractor may use Manufactured Driving Tips as an alternative to the Steel Plate Reinforcing Tips shown with approval by the Bridge Engineer. The Department considers the cost of Steel Plate Reinforcing Tips or Manufactured Driving Tips to be included in the contract unit price of PILES, FURNISHED.

APPROVED BY BRIDGE ENGINEER *Sto. J.* DATE 12-20-16

OKLAHOMA DEPT. OF TRANSPORTATION
BRIDGE STANDARD (ENGLISH)

STEEL PILING