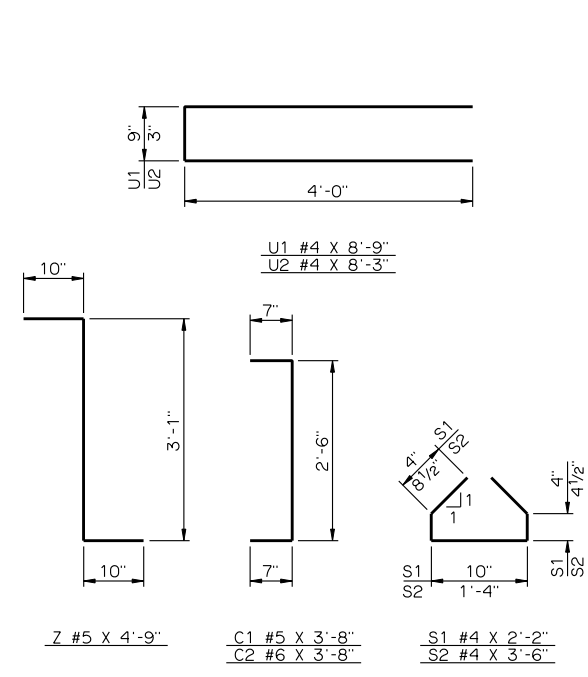
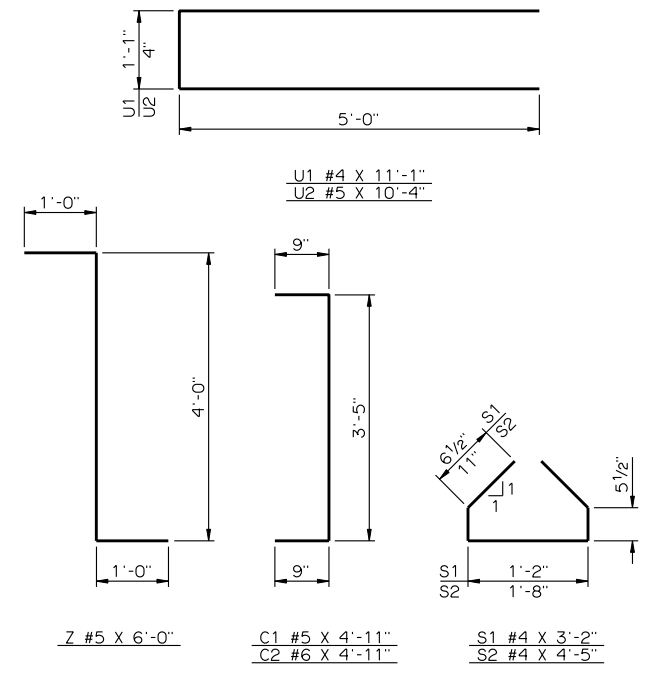


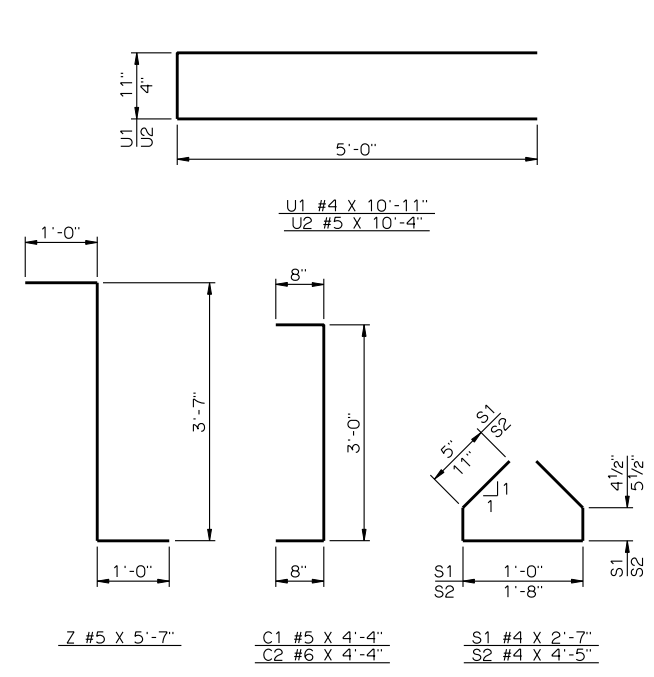
TYPE II P.C. BEAMS



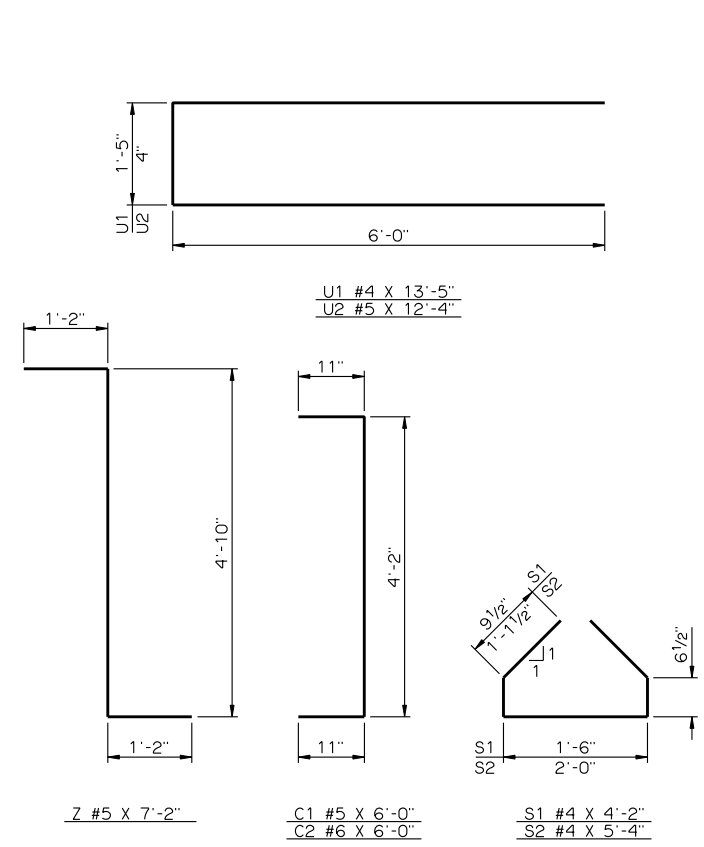
TYPE B P.C. BEAMS



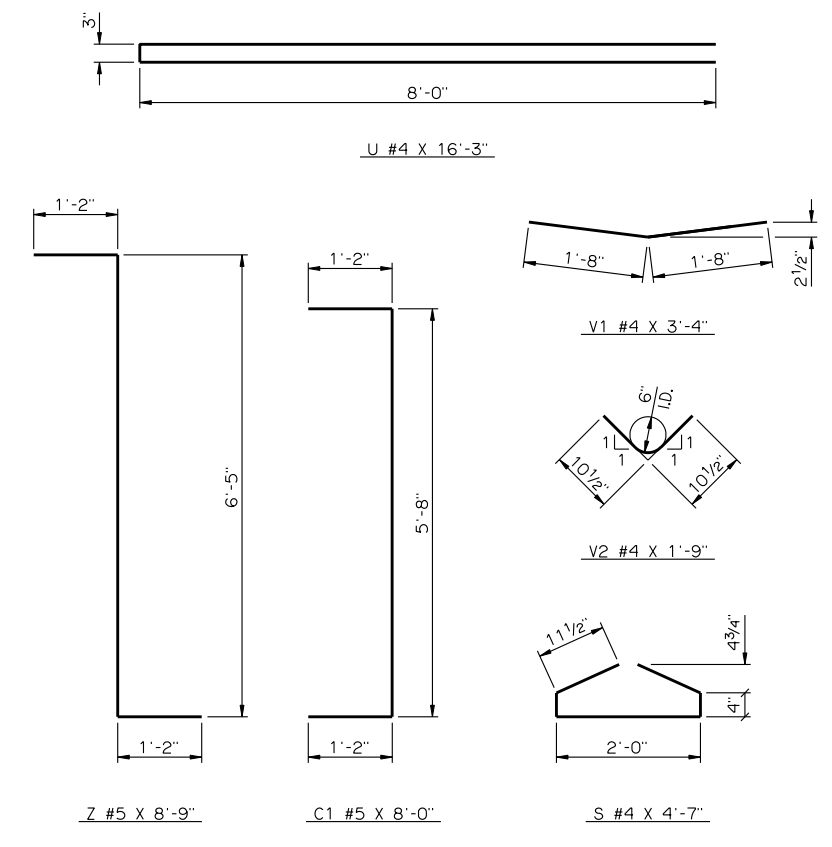
TYPE III P.C. BEAMS



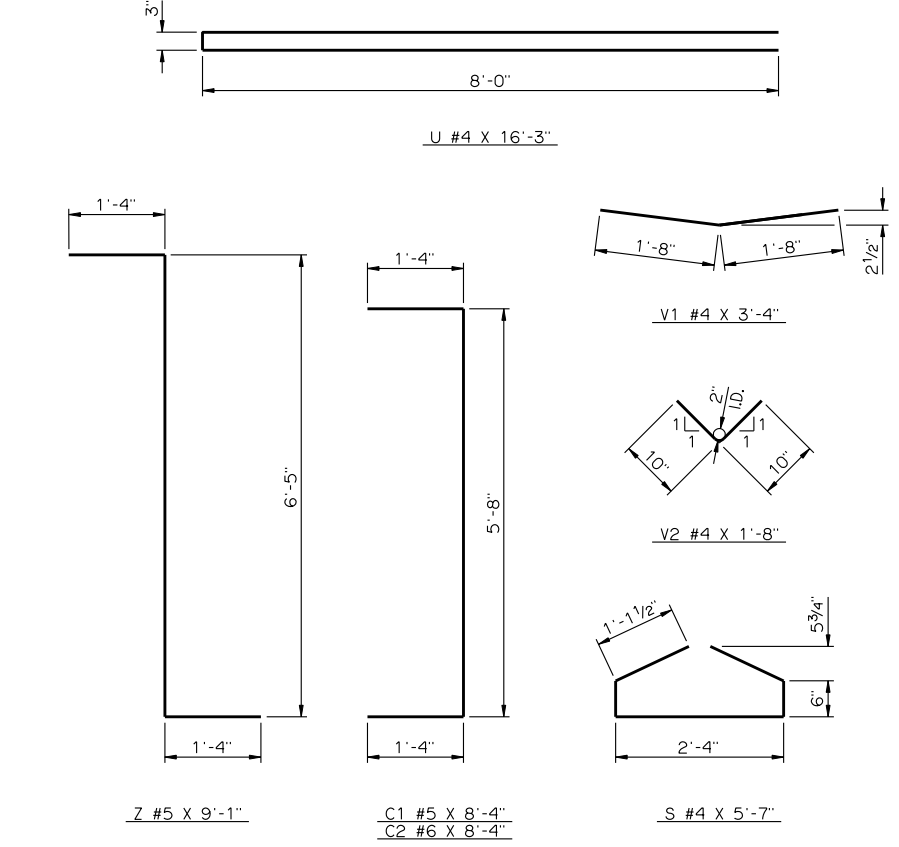
TYPE C P.C. BEAMS



TYPE IV P.C. BEAMS



TYPE BT-72 P.C. BEAMS



TYPE J P.C. BEAMS

DETAILS OF BENT REINFORCING STEEL

APPROVED BY BRIDGE ENGINEER *Robert Duch* DATE 9-9-2011
 OKLAHOMA DEPARTMENT OF TRANSPORTATION
 COUNTY BRIDGE STANDARD (ENGLISH)
 P.C. BEAM DETAILS
 TYPE II, B, III, C, IV, BT-72 AND J P.C. BEAMS
 (SHEET NO. 1 OF 2)
 26' AND 32' CLEAR ROADWAYS - CONVENTIONAL AND INTEGRAL - SKEWED 0° AND 30°
 2009 SPECIFICATIONS CB26.32-C.I.-SKO.30-PCB-DTL-1 01E
 CB-958E