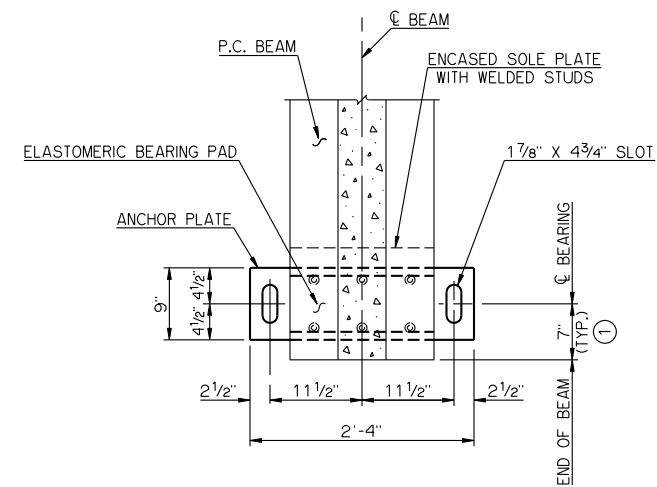
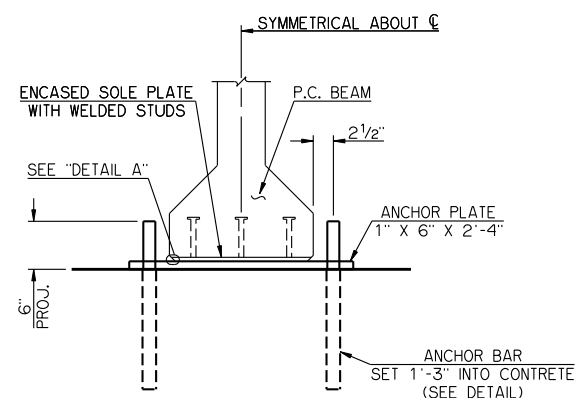


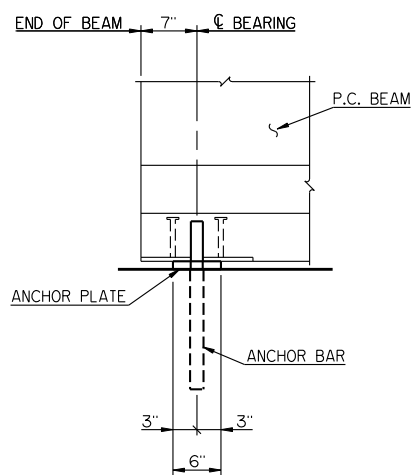
PLAN  
ANCHOR BARS NOT SHOWN



PLAN  
ANCHOR BOLT ASSEMBLIES NOT SHOWN

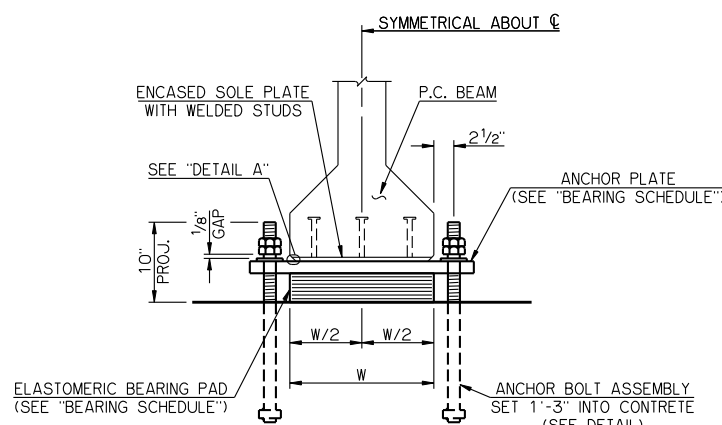


END VIEW

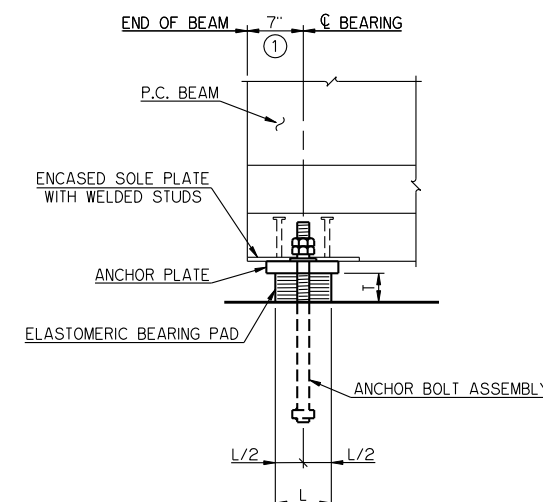


SIDE VIEW

**ABUTMENT BEARING DETAILS**  
30' THRU 65' SPANS

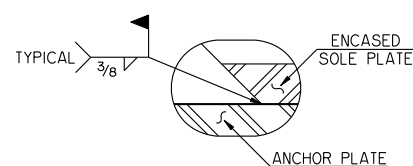


END VIEW

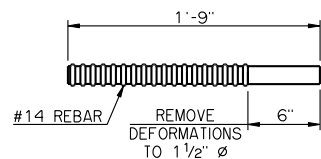


SIDE VIEW

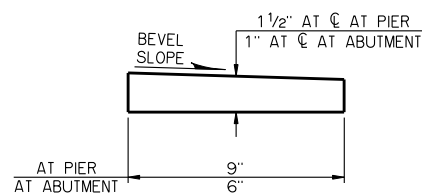
**PIER BEARING DETAILS**



DETAIL A

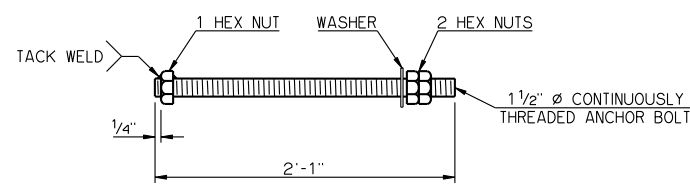


ANCHOR BAR DETAIL



BEVELED ANCHOR PLATE DETAIL

BEVELED ANCHOR PLATE IS REQUIRED WHEN ANGLE BETWEEN UNDERSIDE OF BEAM AND HORIZONTAL EXCEEDS 1.0%. BEVEL SLOPE TO MATCH ANGLE BETWEEN BEAM AND HORIZONTAL. PAINT THICKER EDGE RED.



ANCHOR BOLT ASSEMBLY DETAIL

**NOTES**

STRUCTURAL STEEL FOR ANCHOR PLATES AND CONTINUOUSLY THREADED ANCHOR BOLTS SHALL CONFORM TO AASHTO M 270 (ASTM A 709), GRADE 50W, WEATHERING STEEL (CHARPY V-NOTCH TESTING NOT REQUIRED). HEX NUTS SHALL CONFORM TO AASHTO M 291 (ASTM A 563). WASHERS SHALL CONFORM TO AASHTO M 293 (ASTM F 436), TYPE 3. ANCHOR BARS SHALL BE FABRICATED FROM REINFORCING STEEL CONFORMING TO AASHTO M 31, GRADE 60. ANCHOR BOLT ASSEMBLIES AND ANCHOR BARS SHALL BE GALVANIZED, AND ALL OTHER STEEL PARTS COMPRISING THE BEARING ASSEMBLIES SHALL BE PAINTED WITH THE IZ-E-U PAINT SYSTEM.

① ANCHOR BOLTS SHALL BE CENTERED IN SLOTS DURING SETTING OF BEAMS. DIMENSION MAY VARY DEPENDING ON TEMPERATURE AT THE TIME OF BEAM SETTING.

SPAN	ANCHOR PLATE	60 DUROMETER ELASTOMERIC BEARING PAD			MAXIMUM EXPANSION LENGTH WITHOUT BONDING
		SIZE (T X L X W)	COVER LAYER	INNER LAYER	
30'	1 1/2" X 9" X 2'-4"	3 5/8" X 6 1/4" X 1'-6"	2-1/4"	6-3/8"	140'
35'	1 1/2" X 9" X 2'-4"	3 5/8" X 6 1/4" X 1'-6"	2-1/4"	6-3/8"	165'
40'	1 1/2" X 9" X 2'-4"	3 5/8" X 6 1/2" X 1'-6"	2-1/4"	6-3/8"	185'
45'	1 1/2" X 9" X 2'-4"	3 5/8" X 6 1/2" X 1'-6"	2-1/4"	6-3/8"	205'
50'	1 1/2" X 9" X 2'-4"	3 5/8" X 6 1/2" X 1'-6"	2-1/4"	6-3/8"	225'
55'	1 1/2" X 9" X 2'-4"	3 5/8" X 6 3/4" X 1'-6"	2-1/4"	6-3/8"	240'
60'	1 1/2" X 9" X 2'-4"	3 5/8" X 6 3/4" X 1'-6"	2-1/4"	6-3/8"	265'
65'	1 1/2" X 9" X 2'-4"	3 5/8" X 7" X 1'-6"	2-1/4"	6-3/8"	275'

APPROVED BY BRIDGE ENGINEER *Robert D. Smith* DATE 9-9-2011

OKLAHOMA DEPARTMENT OF TRANSPORTATION  
COUNTY BRIDGE STANDARD (ENGLISH)

**BEARING DETAILS**  
**TYPE II AND TYPE B P.C. BEAMS**

**32' CLEAR ROADWAY - INTEGRAL - SKEWED 0°**

2009 SPECIFICATIONS      CB32-I-SKO-BRG-PC2      OOE      CB-886E