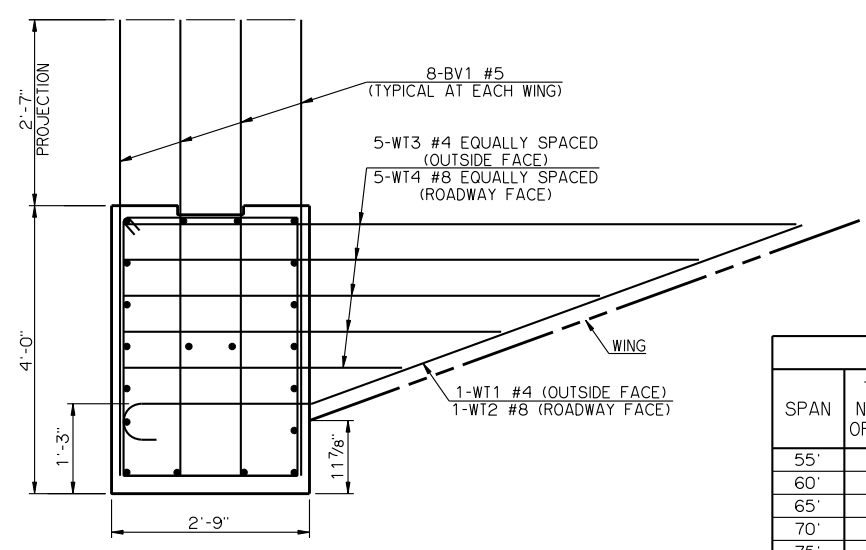


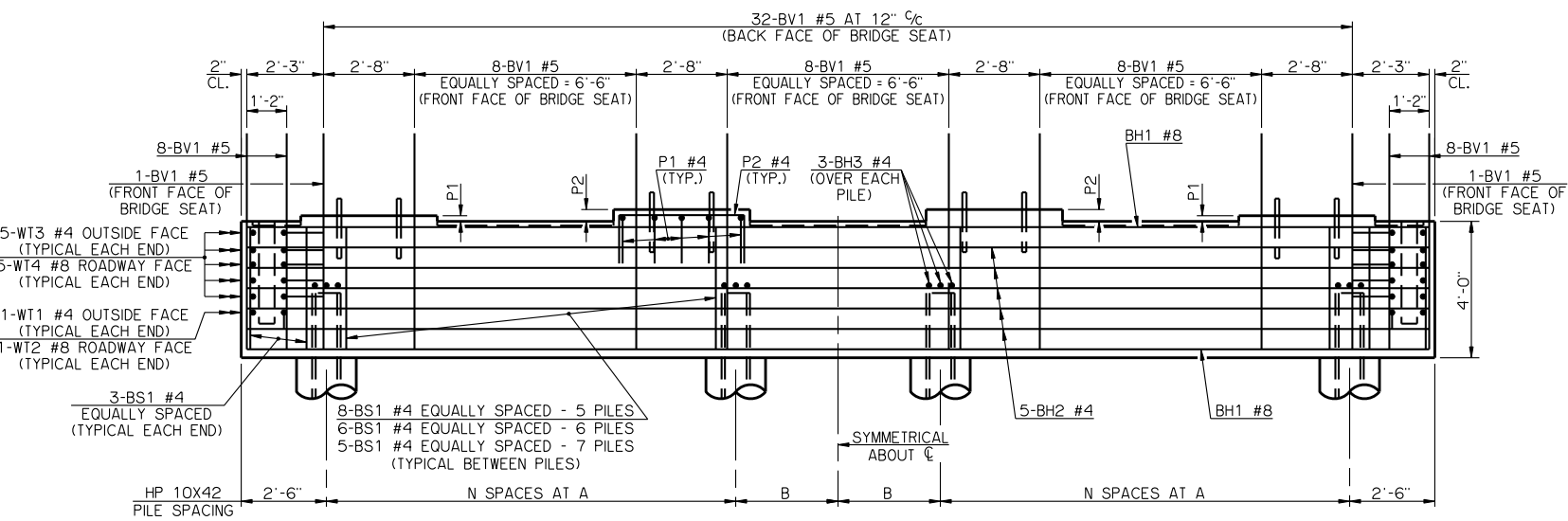
PLAN



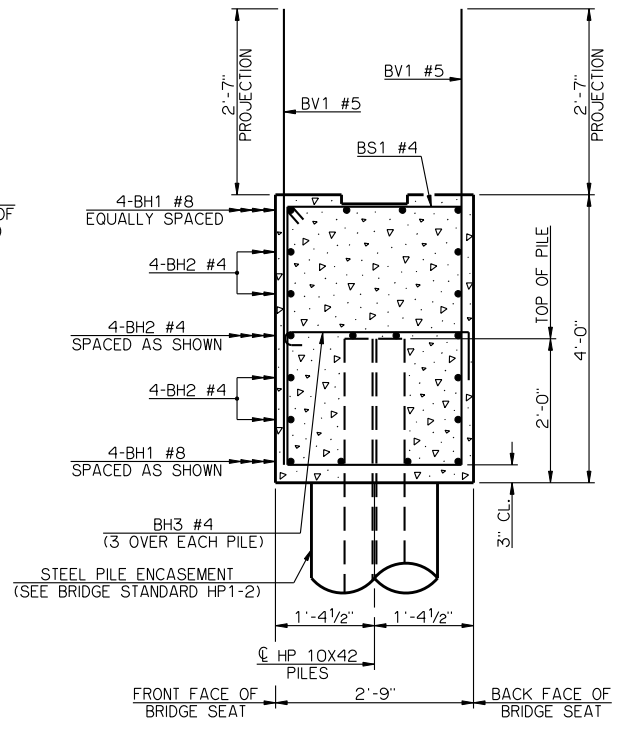
VIEW A-A

PEDESTAL DIMENSIONS		
SPAN	P1	P2
55'	11 3/8"	1'-19 1/16"
60'	8 1/4"	10 1/2"
65'	5 13/16"	8"
70'	5 1/2"	7 3/4"
75'	2 13/16"	5"
80'	2 3/8"	4 9/8"
85'	2 11/16"	4 7/8"
90'	2 3/8"	4 9/8"
95'	2"	4 3/16"
100'	2"	4 3/16"

PILE SCHEDULE					
SPAN	TOTAL NUMBER OF PILES	N SPACES	A	B	MAXIMUM FACTORED PILE LOAD
55'	5	2	7'-6"	0'-0"	77.0 TON
60'	6	2	6'-0"	3'-0"	68.2 TON
65'	6	2	6'-0"	3'-0"	70.5 TON
70'	6	2	6'-0"	3'-0"	72.8 TON
75'	6	2	6'-0"	3'-0"	75.2 TON
80'	7	3	5'-0"	0'-0"	66.7 TON
85'	7	3	5'-0"	0'-0"	68.8 TON
90'	7	3	5'-0"	0'-0"	70.9 TON
95'	7	3	5'-0"	0'-0"	73.3 TON
100'	7	3	5'-0"	0'-0"	75.1 TON



ELEVATION



TYPICAL SECTION THRU BRIDGE SEAT

BAR LIST - ONE ABUTMENT					
MARK	NO.	SIZE	FORM	LENGTH	LENGTH VARIATION
BH1	8	#8	STR.	34'-8"	-
BH2	12	#4	STR.	34'-8"	-
BV1	74	#5	STR.	6'-4"	-
P1	20	#4	BNT.	5'-9"	-
P2	16	#4	BNT.	7'-0"	-
WT1	2	#4	BNT.	5'-2"	-
WT2	2	#8	BNT.	11'-2"	-
WT3	10	#4	STR.	5'-10" AVG.	3'-8" TO 8'-0"
WT4	10	#8	BNT.	7'-0" AVG.	4'-10" TO 9'-2"
5 PILE ABUTMENT					
BH3	15	#4	BNT.	3'-7"	-
BS1	38	#4	BNT.	12'-9"	-
6 PILE ABUTMENT					
BH3	18	#4	BNT.	3'-7"	-
BS1	36	#4	BNT.	12'-9"	-
7 PILE ABUTMENT					
BH3	21	#4	BNT.	3'-7"	-
BS1	36	#4	BNT.	12'-9"	-

① NO. INCLUDES TWO SETS OF 5 BARS

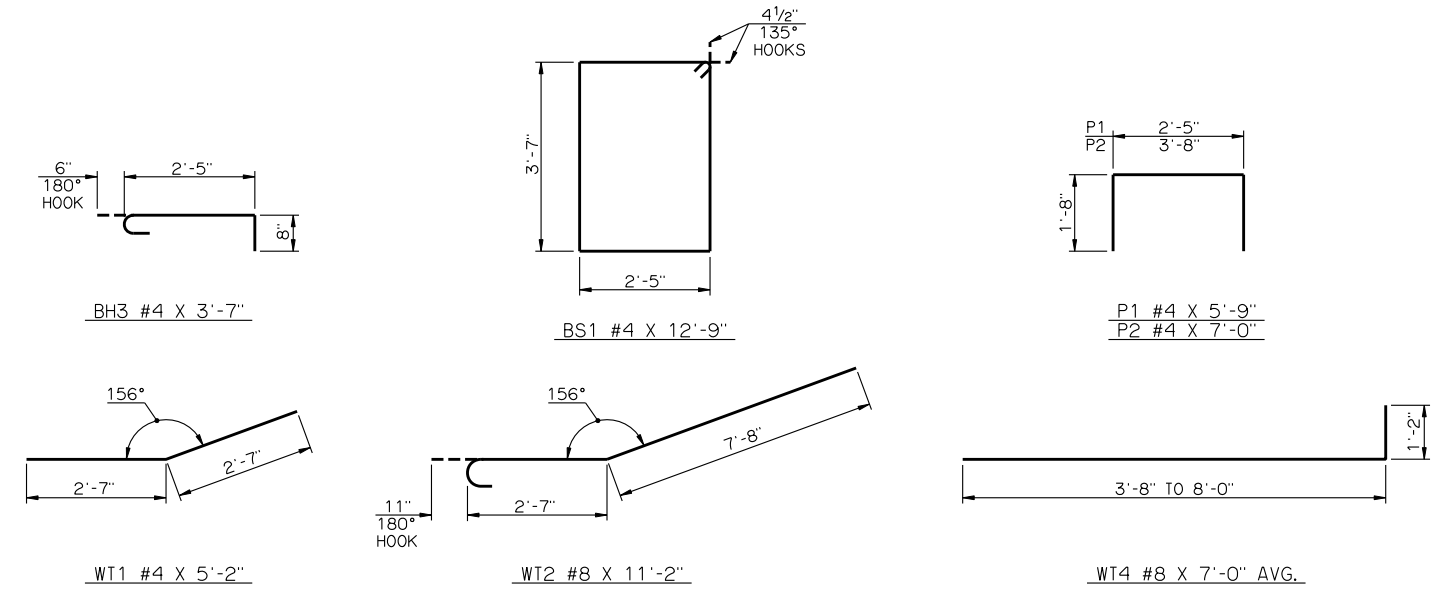
SUMMARY OF QUANTITIES - ONE ABUTMENT ②		
ITEM	UNIT	TOTAL
SUBSTRUCTURE EXCAVATION, COMMON	CY	40.00
GRANULAR BACKFILL	CY	30.00
CLASS A CONCRETE	CY	15.90
REINFORCING STEEL	LB	2,320.00
PILES, FURNISHED (HP 10X42)	LF	-
PILES, DRIVEN (HP 10X42)	LF	-
6" PERFORATED PIPE UNDERDRAIN	LF	32.00
6" NON-PERFORATED PIPE UNDERDRAIN	LF	-

② EXCLUDES WINGS

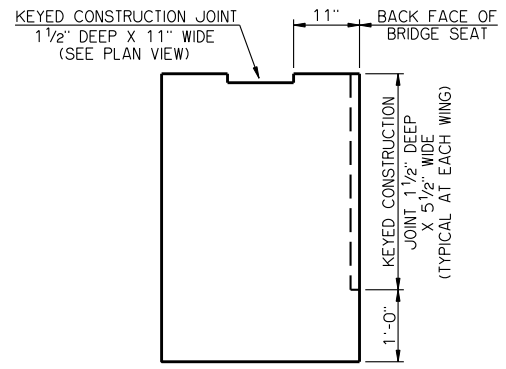
NOTES

ABUTMENT WING CONCRETE SHALL NOT BE POURED UNTIL THE ABUTMENT DIAPHRAGMS OF THE SUPERSTRUCTURE AND THE DECK SLAB CONCRETE HAVE ATTAINED A STRENGTH OF 3,000 PSI.

ALL WT WING REINFORCING STEEL TIED TO BRIDGE SEAT REINFORCING STEEL MUST BE IN PLACE PRIOR TO POURING THE BRIDGE SEAT CONCRETE.



DETAILS OF BENT REINFORCING STEEL



DETAIL OF CONSTRUCTION JOINTS

APPROVED BY BRIDGE ENGINEER *Robert J. Duch* DATE 9-9-2011

OKLAHOMA DEPARTMENT OF TRANSPORTATION
COUNTY BRIDGE STANDARD (ENGLISH)

ABUTMENT DETAILS
55' THRU 100' ROLLED BEAMS
32' CLEAR ROADWAY - INTEGRAL - SKEWED 0°

2009 SPECIFICATIONS CB32-1-SKO-ABUT-RB-55100 01E
CB-754E