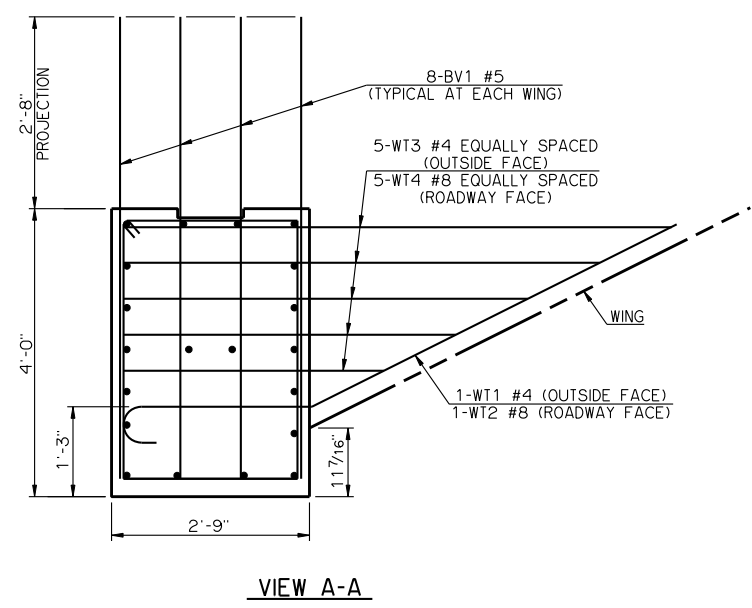
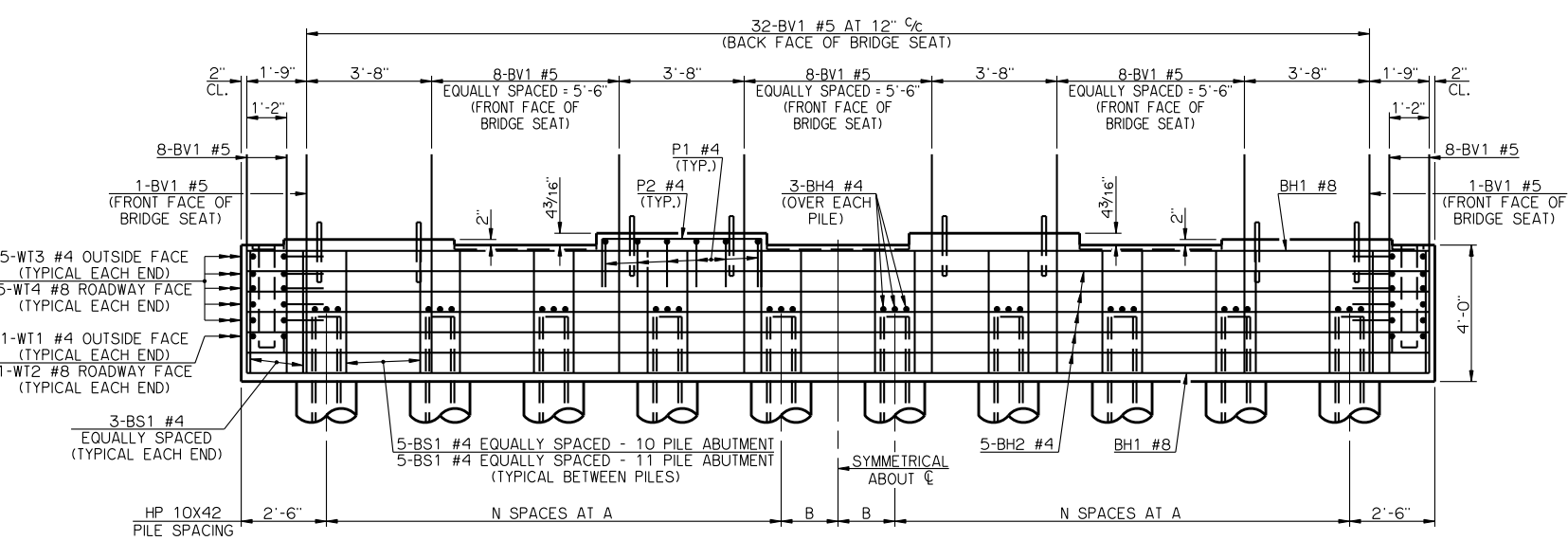


PLAN

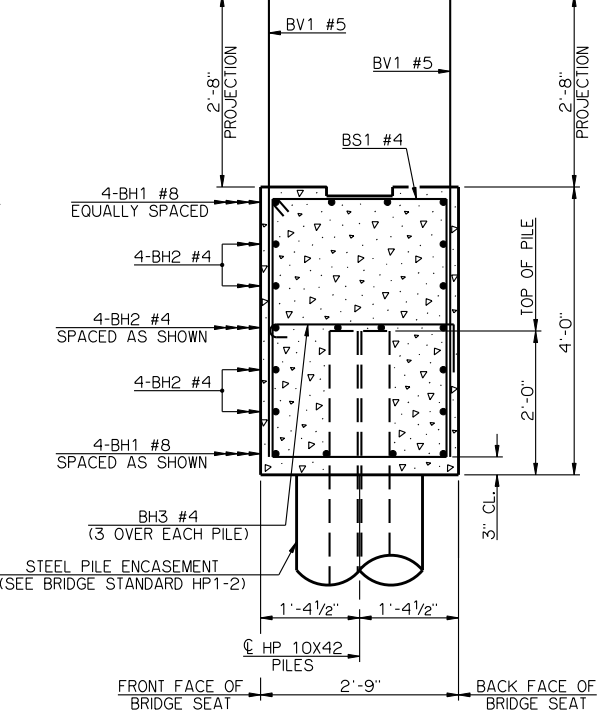


VIEW A-A

PILE SCHEDULE					
SPAN	TOTAL NUMBER OF PILES	N SPACES	A	B	MAXIMUM FACTORED PILE LOAD
120'	10	4	3'-4"	1'-8"	70.6 TON
125'	10	4	3'-4"	1'-8"	72.3 TON
130'	10	4	3'-4"	1'-8"	74.0 TON
135'	10	4	3'-4"	1'-8"	75.7 TON
140'	11	5	3'-0"	0'-0"	70.4 TON
145'	11	5	3'-0"	0'-0"	71.9 TON



ELEVATION



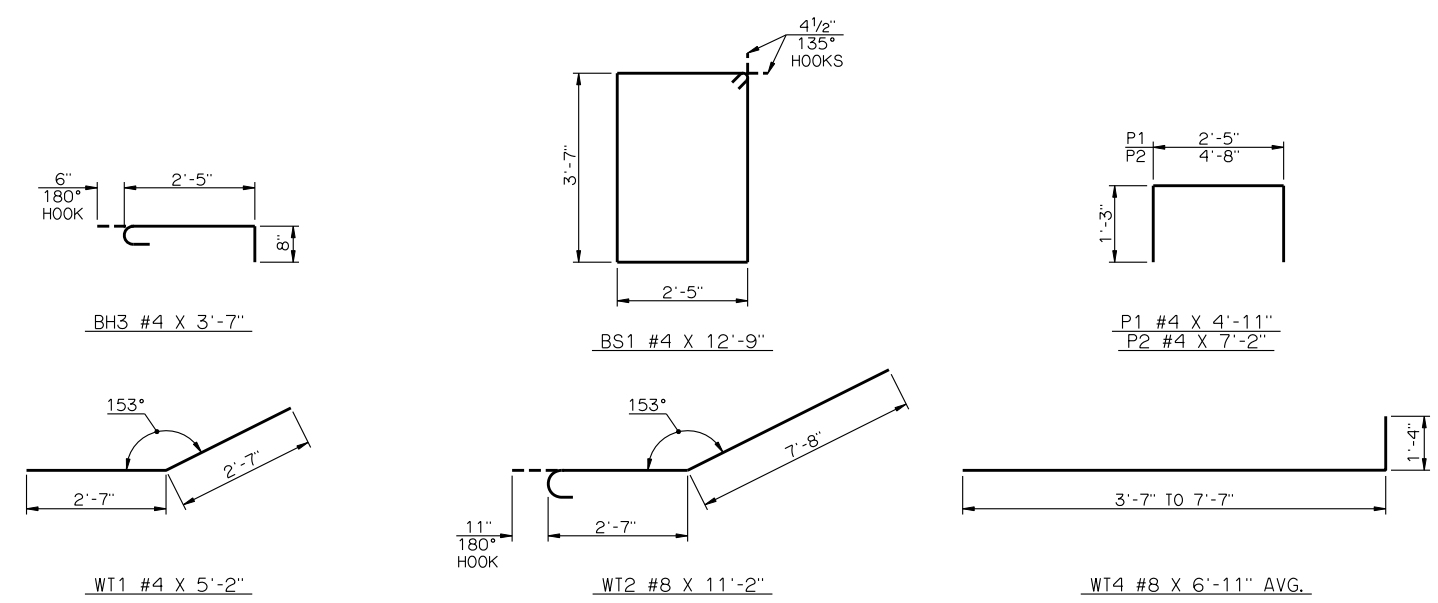
TYPICAL SECTION THRU BRIDGE SEAT

BAR LIST - ONE ABUTMENT					
MARK	NO.	SIZE	FORM	LENGTH	LENGTH VARIATION
BH1	8	#8	STR.	34'-8"	-
BH2	12	#4	STR.	34'-8"	-
BV1	74	#5	STR.	6'-5"	-
P1	24	#4	BNT.	4'-11"	-
P2	16	#4	BNT.	7'-2"	-
WT1	2	#4	BNT.	5'-2"	-
WT2	2	#8	BNT.	11'-2"	-
WT3	10	#4	STR.	5'-7" AVG.	3'-7" TO 7'-7"
WT4	10	#8	BNT.	6'-11" AVG.	4'-11" TO 8'-11"
ADDITIONAL BARS TO BE USED WITH 10 PILE ABUTMENTS					
BH3	30	#4	BNT.	3'-7"	-
BS1	51	#4	BNT.	12'-9"	-
ADDITIONAL BARS TO BE USED WITH 11 PILE ABUTMENTS					
BH3	33	#4	BNT.	3'-7"	-
BS1	56	#4	BNT.	12'-9"	-

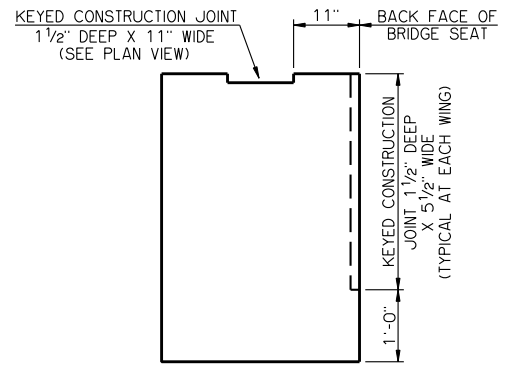
① NO. INCLUDES TWO SETS OF 5 BARS

SUMMARY OF QUANTITIES - ONE ABUTMENT ②			
ITEM	UNIT	TOTAL	
SUBSTRUCTURE EXCAVATION, COMMON	CY	40.00	
GRANULAR BACKFILL	CY	64.00	
CLASS A CONCRETE	CY	14.80	
REINFORCING STEEL	LB	2,520.00	
PILES, FURNISHED (HP 10X42)	LF	-	
PILES, DRIVEN (HP 10X42)	LF	-	
6" PERFORATED PIPE UNDERDRAIN	LF	32.00	
6" NON-PERFORATED PIPE UNDERDRAIN	LF	-	

② EXCLUDES WINGS



DETAILS OF BENT REINFORCING STEEL



DETAIL OF CONSTRUCTION JOINTS

NOTES

ABUTMENT WING CONCRETE SHALL NOT BE POURED UNTIL THE ABUTMENT DIAPHRAGMS OF THE SUPERSTRUCTURE AND THE DECK SLAB CONCRETE HAVE ATTAINED A STRENGTH OF 3,000 PSI.
 ALL WT WING REINFORCING STEEL TIED TO BRIDGE SEAT REINFORCING STEEL MUST BE IN PLACE PRIOR TO POURING THE BRIDGE SEAT CONCRETE.

APPROVED BY BRIDGE ENGINEER *Robert J. Duch* DATE 9-9-2011
 OKLAHOMA DEPARTMENT OF TRANSPORTATION
 COUNTY BRIDGE STANDARD (ENGLISH)
ABUTMENT DETAILS
TYPE BT-72 AND TYPE J P.C. BEAMS
32' CLEAR ROADWAY - INTEGRAL - SKEWED 0°
 2009 SPECIFICATIONS CB32-I-SKO-ABUT-PC5 01E
 CB-752E