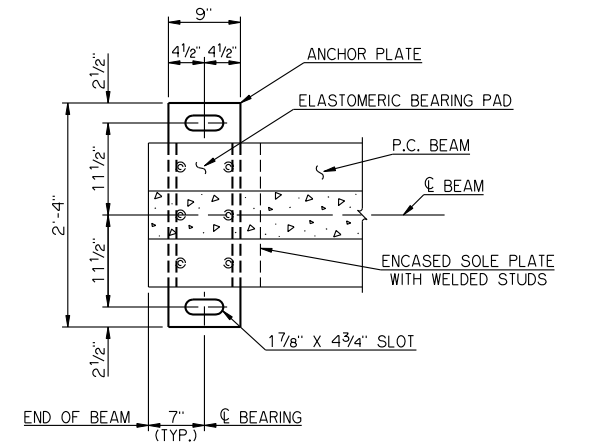
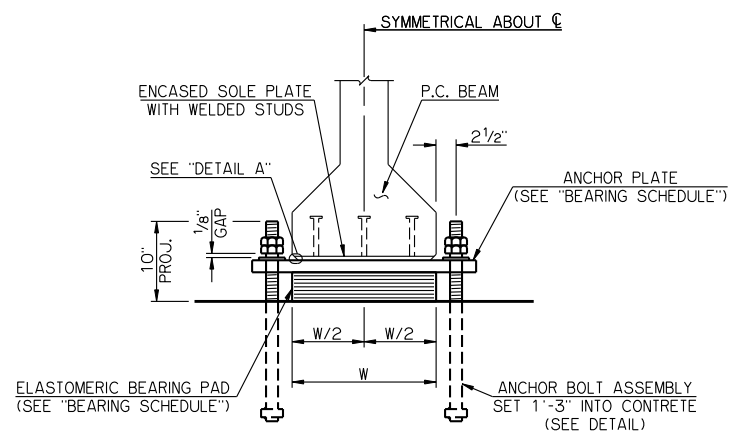


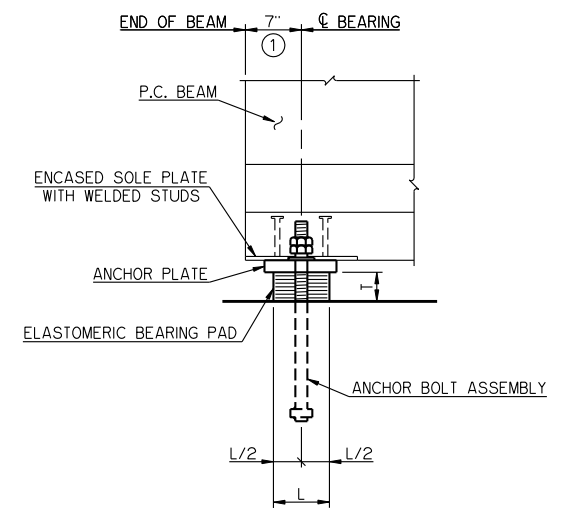
FIXED BEARING PLAN
ANCHOR BOLT ASSEMBLIES NOT SHOWN



EXPANSION BEARING PLAN
ANCHOR BOLT ASSEMBLIES NOT SHOWN

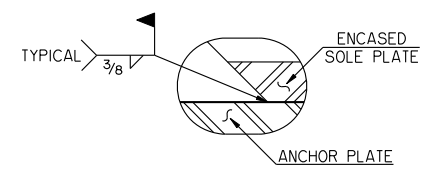


END VIEW

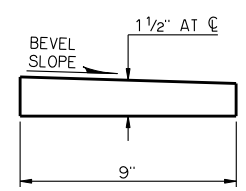


SIDE VIEW

BEARING DETAILS

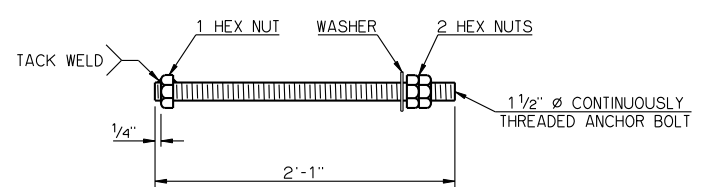


DETAIL A



BEVELED ANCHOR PLATE DETAIL

BEVELED ANCHOR PLATE IS REQUIRED WHEN ANGLE BETWEEN UNDERSIDE OF BEAM AND HORIZONTAL EXCEEDS 1.0%. BEVEL SLOPE TO MATCH ANGLE BETWEEN BEAM AND HORIZONTAL. PAINT THICKER EDGE RED.



ANCHOR BOLT ASSEMBLY DETAIL

NOTES

STRUCTURAL STEEL FOR ANCHOR PLATES AND CONTINUOUSLY THREADED ANCHOR BOLTS SHALL CONFORM TO AASHTO M 270 (ASTM A 709), GRADE 50W, WEATHERING STEEL (CHARTY V-NOTCH TESTING NOT REQUIRED). HEX NUTS SHALL CONFORM TO AASHTO M 291 (ASTM A 563). WASHERS SHALL CONFORM TO AASHTO M 293 (ASTM F 436), TYPE 3. ANCHOR BOLT ASSEMBLIES SHALL BE GALVANIZED, AND ALL OTHER STEEL PARTS COMPRISING THE BEARING ASSEMBLIES SHALL BE PAINTED WITH THE IZ-E-U PAINT SYSTEM.

① ANCHOR BOLTS SHALL BE CENTERED IN SLOTS DURING SETTING OF BEAMS. DIMENSION MAY VARY AT EXPANSION BEARING DEPENDING ON TEMPERATURE AT THE TIME OF BEAM SETTING.

SPAN	ANCHOR PLATE	60 DUROMETER ELASTOMERIC BEARING PAD			MAXIMUM EXPANSION LENGTH WITHOUT BONDING
		SIZE (T X L X W)	COVER LAYER	INNER LAYER	
30'	1 1/2" X 9" X 2'-4"	3 5/8" X 6 1/4" X 1'-6"	2-1/4"	6-3/8"	140'
35'	1 1/2" X 9" X 2'-4"	3 5/8" X 6 1/4" X 1'-6"	2-1/4"	6-3/8"	165'
40'	1 1/2" X 9" X 2'-4"	3 5/8" X 6 1/2" X 1'-6"	2-1/4"	6-3/8"	185'
45'	1 1/2" X 9" X 2'-4"	3 5/8" X 6 1/2" X 1'-6"	2-1/4"	6-3/8"	205'
50'	1 1/2" X 9" X 2'-4"	3 5/8" X 6 1/2" X 1'-6"	2-1/4"	6-3/8"	225'
55'	1 1/2" X 9" X 2'-4"	3 5/8" X 6 3/4" X 1'-6"	2-1/4"	6-3/8"	240'
60'	1 1/2" X 9" X 2'-4"	3 5/8" X 6 3/4" X 1'-6"	2-1/4"	6-3/8"	265'
65'	1 1/2" X 9" X 2'-4"	3 5/8" X 7" X 1'-6"	2-1/4"	6-3/8"	275'

APPROVED BY BRIDGE ENGINEER *Robert J. Duch* DATE 9-9-2011

OKLAHOMA DEPARTMENT OF TRANSPORTATION
COUNTY BRIDGE STANDARD (ENGLISH)

BEARING DETAILS
TYPE II AND TYPE B P.C. BEAMS

32' CLEAR ROADWAY - CONVENTIONAL - SKEWED 0° AND 30°