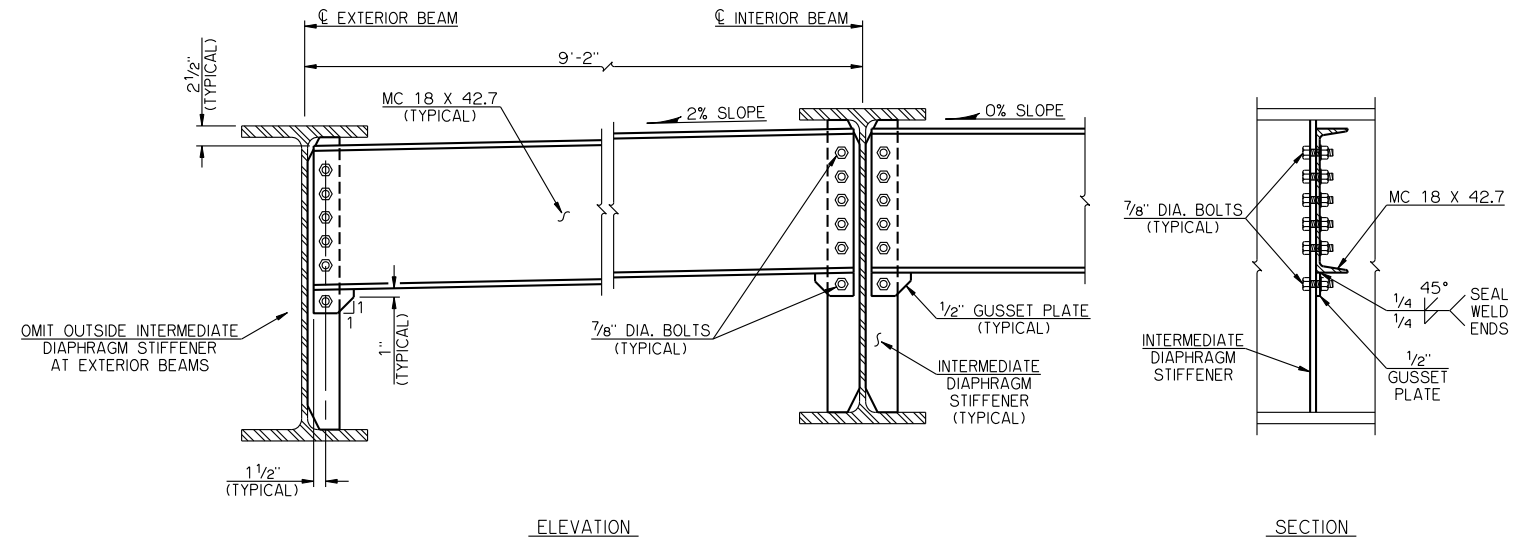


INTERMEDIATE DIAPHRAGM ELEVATION FOR
W24, W27, W30, W33 AND W36 BEAMS



INTERMEDIATE DIAPHRAGM ELEVATION FOR W40 BEAMS

NOTES

STRUCTURAL STEEL FOR CHANNEL DIAPHRAGMS AND GUSSET PLATES SHALL CONFORM TO AASHTO M 270 (ASTM A 709), GRADE 50W, WEATHERING STEEL (CHARPY V-NOTCH TESTING NOT REQUIRED). BOLTS SHALL CONFORM TO AASHTO M 164 (ASTM A 325), TYPE 3. HEX NUTS SHALL CONFORM TO AASHTO M 291 (ASTM A 563), PROPERTY CLASS 8S3 OR 10S3. WASHERS SHALL CONFORM TO AASHTO M 293 (ASTM F 436), TYPE 3.

CONTRACTOR MAY ELECT TO FABRICATE A BENT PLATE DIAPHRAGM IN LIEU OF CHANNEL AND GUSSET PLATE. PLATE SHALL BE 1/2" MINIMUM THICKNESS AND FORMED IN THE SHAPE OF CHANNEL WITH MINIMUM 4" FLANGES. DEPTH OF BENT PLATE DIAPHRAGM SHALL BE EQUAL TO OR GREATER THAN THAT SHOWN FOR COMBINED CHANNEL AND GUSSET PLATE. COST TO CONSTRUCT BENT PLATE DIAPHRAGM SHALL BE AT THE CONTRACTOR'S EXPENSE.

APPROVED BY BRIDGE ENGINEER	<i>Robert A. Dusch</i>	DATE	9-9-2011
OKLAHOMA DEPARTMENT OF TRANSPORTATION COUNTY BRIDGE STANDARD (ENGLISH)			
INTERMEDIATE DIAPHRAGM DETAILS ROLLED BEAMS			
32' CLEAR ROADWAY - CONVENTIONAL - SKEWED 0° AND 30°			
2009 SPECIFICATIONS	CB32-C-SKO.30-DIA-INT-RB	01E	CB-728E