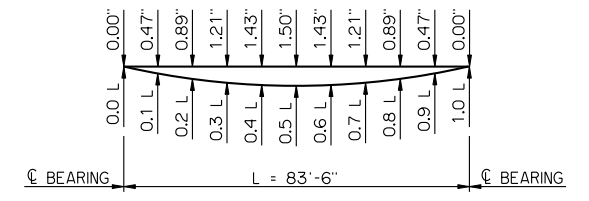


DIAPHRAGM ROD HOLE SCHEDULE

BRIDGE SKEW	θ	L1	L2	L3
0°	90°	10' 1/2"	41' - 5 1/2"	0' - 0"
30° LEFT FORWARD	60°	1' - 0"	38' - 8 1/4"	5' - 3 1/2"
30° RIGHT FORWARD	120°	1' - 0"	38' - 8 1/4"	5' - 3 1/2"



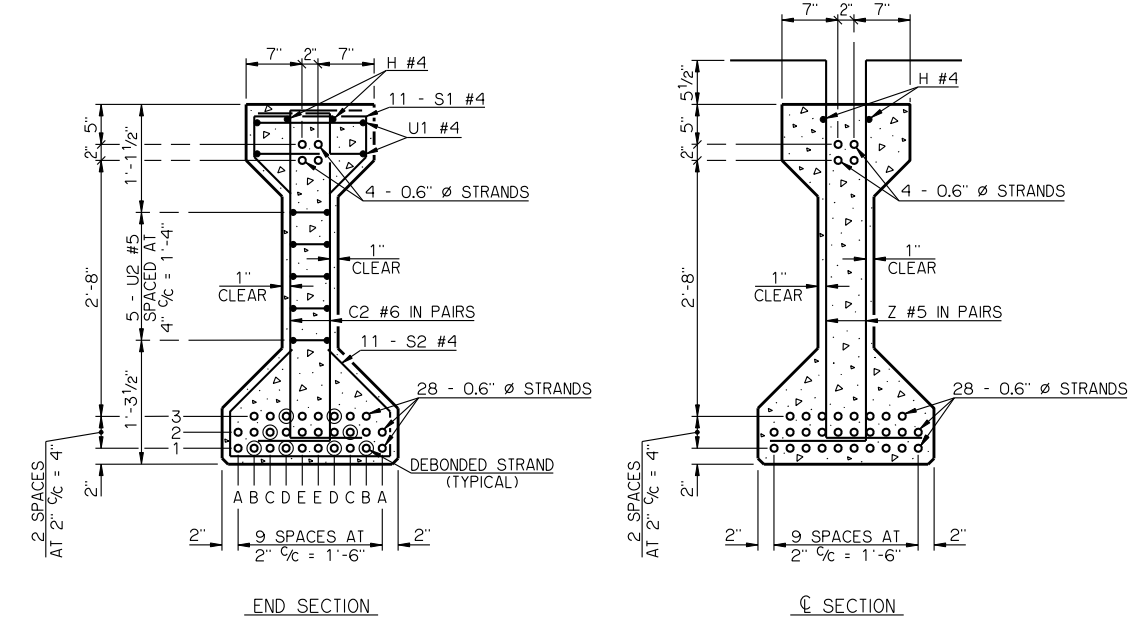
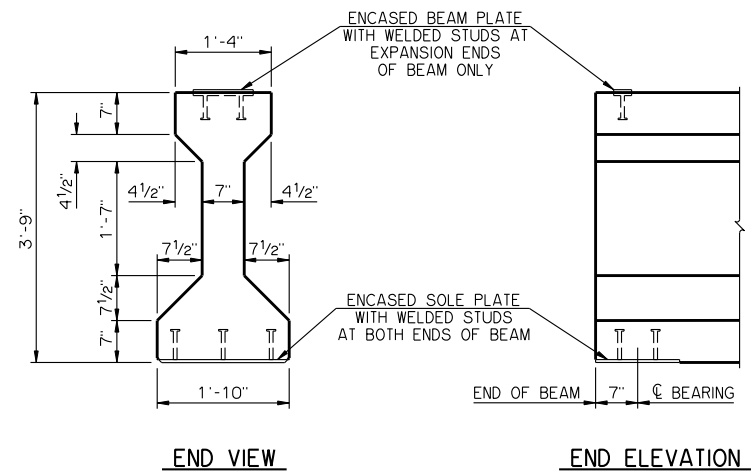
MATERIAL PROPERTIES

THE COMPRESSIVE STRENGTH OF THE CONCRETE IN THE P.C. BEAM SHALL BE NO LESS THAN 7,000 PSI AT THE TIME OF TRANSFER OF THE PRESTRESSING FORCE AND NO LESS THAN 10,000 PSI AT 28 DAYS AFTER THE POURING OF THE CONCRETE.

THE TYPE OF PRESTRESSING STRANDS REQUIRED IN THE P.C. BEAM SHALL BE LOW RELAXATION 7-WIRE STRAND WITH A NOMINAL DIAMETER OF 0.6 INCHES AND AN ULTIMATE TENSILE STRENGTH OF 270 KSI.

LFD OPERATING RATING - HS 48.6

THE LFD OPERATING RATING SHOWN ABOVE IS FOR THE P.C. BEAM ONLY AND APPLIES ONLY TO THE P.C. BEAMS OF A BRIDGE CONSTRUCTED IN STRICT CONFORMANCE TO ALL RELEVANT DETAILS CONTAINED IN THE COMPLETE SET OF COUNTY BRIDGE STANDARDS AND TO THE ODOT STANDARD SPECIFICATIONS.



BEAM SECTIONS
(32 - 0.6" ϕ STRANDS)

DEBOND SCHEDULE

DEBOND PAIR	DEBOND LENGTH FROM END OF BEAM
B1	4'-0"
D1	4'-0"
C2	8'-0"
D3	12'-0"

APPROVED BY BRIDGE ENGINEER *Scott J. Dush* DATE 9-9-2011

OKLAHOMA DEPARTMENT OF TRANSPORTATION
COUNTY BRIDGE STANDARD (ENGLISH)

P.C. BEAM DETAILS
TYPE III - 85' SPAN

32' CLEAR ROADWAY - CONVENTIONAL - SKEWED 0° AND 30°

2009 SPECIFICATIONS CB32-C-SKO.30-PCB-III-85 01E CB-657E