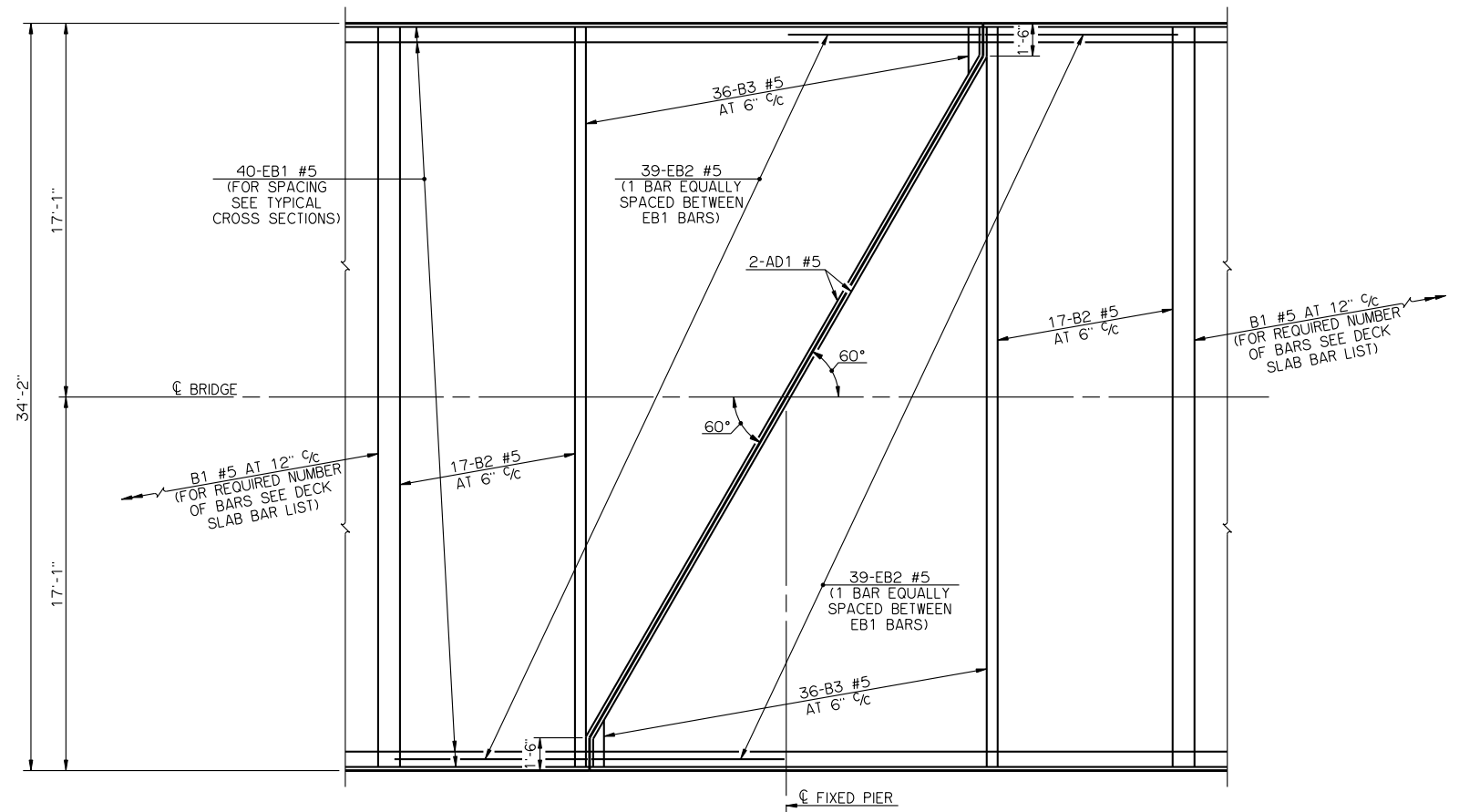
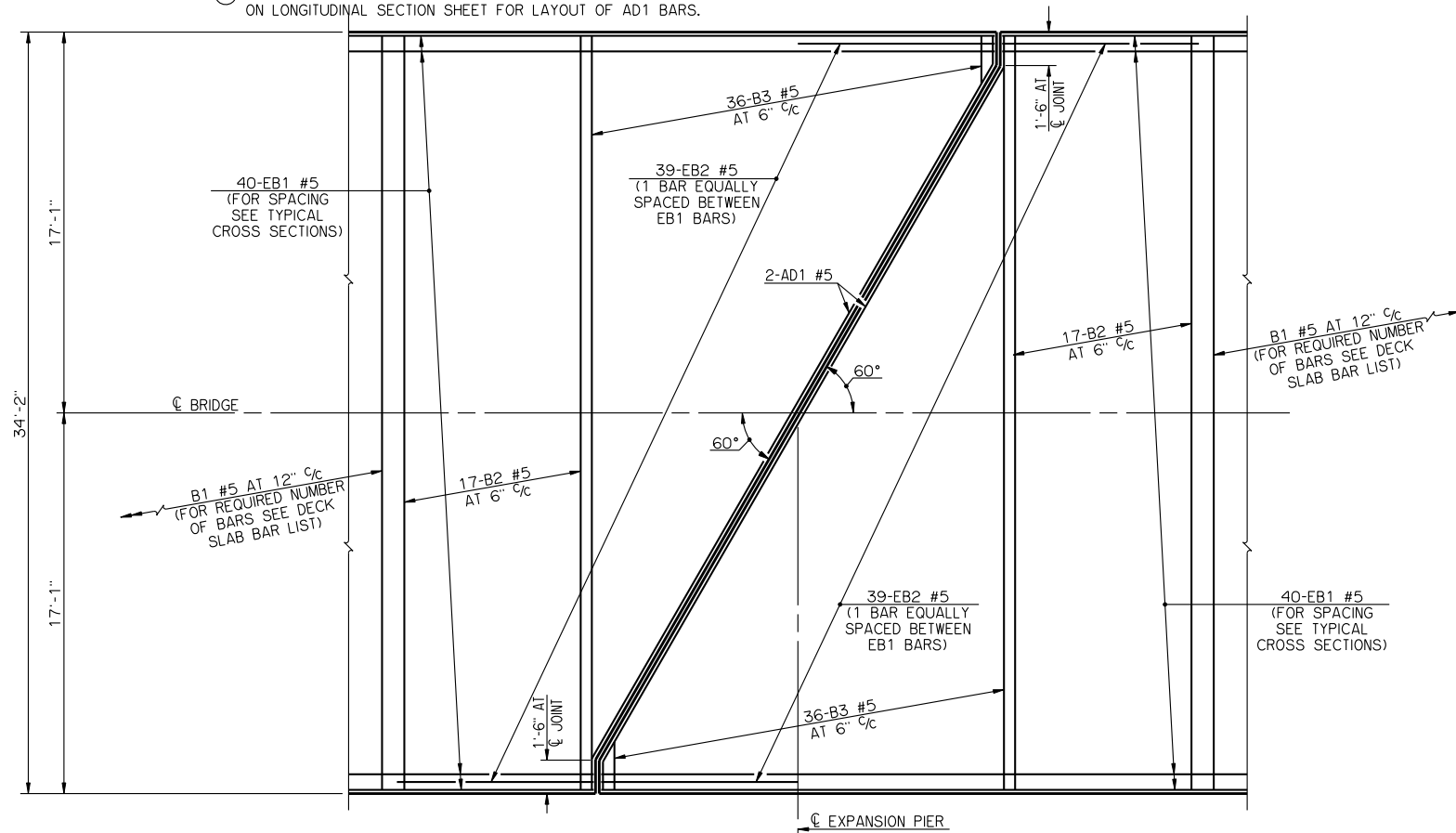


PLAN OF DECK SLAB WITH TYPICAL BOTTOM LAYER OF END ZONE REINFORCING STEEL AT ABUTMENT

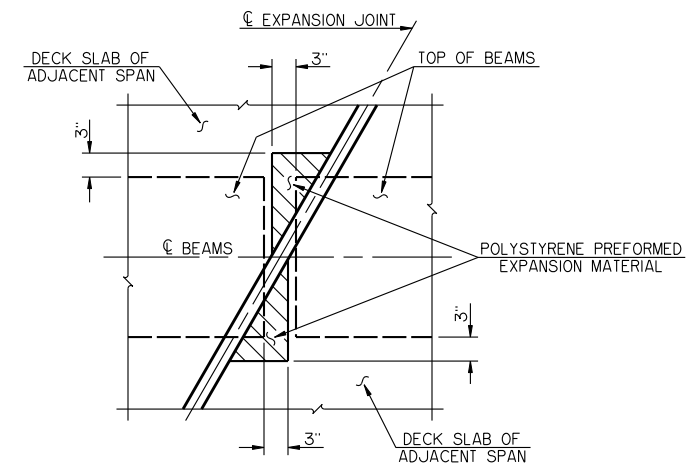
① SEE DETAIL "TYPICAL SLAB REINFORCING AT ABUTMENT BACKWALL" ON LONGITUDINAL SECTION SHEET FOR LAYOUT OF AD1 BARS.



PLAN OF DECK SLAB WITH TYPICAL BOTTOM LAYER OF END ZONE REINFORCING STEEL AT FIXED PIER



PLAN OF DECK SLAB WITH TYPICAL BOTTOM LAYER OF END ZONE REINFORCING STEEL AT EXPANSION PIER



PLAN OF BEAM CORNERS AT SKEWED EXPANSION JOINT

WHERE THE TOP CORNER OF A BEAM PROJECTS UNDER THE DECK SLAB OF THE ADJACENT SPAN, 1/2" POLYSTYRENE PREFORMED EXPANSION MATERIAL SHALL BE PLACED BETWEEN THE TOP OF THE BEAM AND THE BOTTOM OF THE DECK SLAB IN THE HATCHED AREAS SHOWN ABOVE. ALL COST TO BE INCLUDED IN OTHER ITEMS OF WORK.

NOTES

PLAN VIEWS SHOWN WITH LEFT FORWARD SKEW, RIGHT FORWARD SKEW WILL BE OPPOSITE HAND.

THE B1 AND B2 BARS ARE SHOWN FOR SPAN LENGTHS OF 36'-0" OR GREATER. FOR SPAN LENGTHS OF LESS THAN 36'-0", THE B1 BARS WILL BE OMITTED, AND THE TOTAL NUMBER OF B2 BARS SPACED AT 6" c/c WITHIN THE END ZONES OF THE DECK SLAB WILL BE THE AMOUNT GIVEN IN THE DECK SLAB BAR LIST.

APPROVED BY BRIDGE ENGINEER *Robert J. Duch* DATE 9-9-2011  
 OKLAHOMA DEPARTMENT OF TRANSPORTATION  
 COUNTY BRIDGE STANDARD (ENGLISH)  
**DECK SLAB DETAILS**  
 (SHEET NO. 1 OF 2)  
 32' CLEAR ROADWAY - CONVENTIONAL - SKEWED 30°  
 2009 SPECIFICATIONS      CB32-C-SK30-DKSLB-1      01E      CB-609E