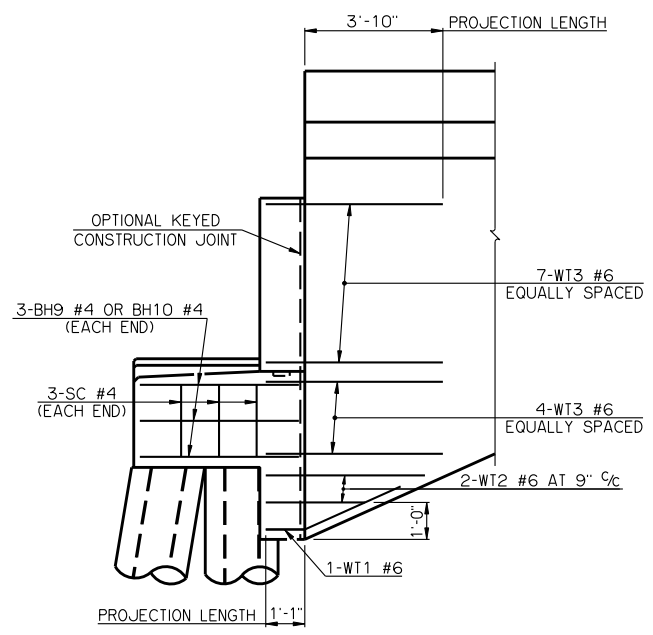
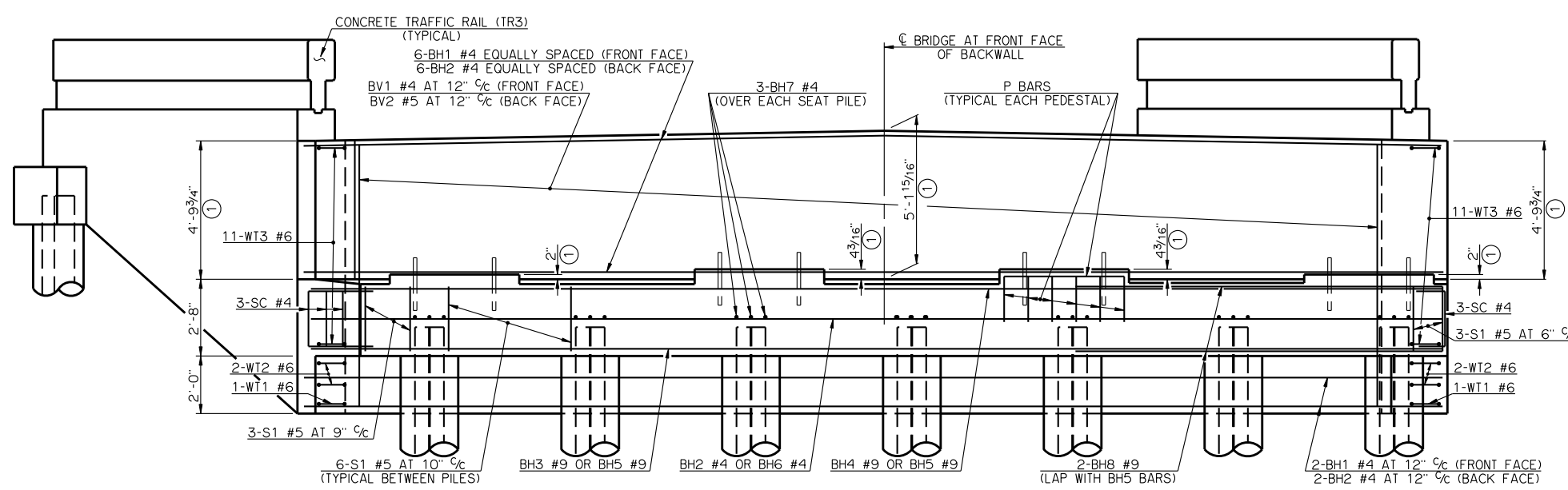


PLAN
LEFT FORWARD SKEW SHOWN, RIGHT FORWARD SKEW OPPOSITE HAND



SIDE VIEW



ELEVATION
LEFT FORWARD SKEW SHOWN, RIGHT FORWARD SKEW OPPOSITE HAND

SUMMARY OF QUANTITIES - ONE ABUTMENT ③		
ITEM	UNIT	TOTAL
SUBSTRUCTURE EXCAVATION, COMMON	CY	85.00
GRANULAR BACKFILL	CY	63.00
CLASS A CONCRETE	CY	31.70
REINFORCING STEEL	LB	4,220.00
PILES, FURNISHED (HP 12X53)	LF	-
PILES, DRIVEN (HP 12X53)	LF	-
6" PERFORATED PIPE UNDERDRAIN	LF	36.00
6" NON-PERFORATED PIPE UNDERDRAIN	LF	-

③ EXCLUDES WINGS

- ① DIMENSIONS ARE FROM TOP OF BRIDGE SEAT AT FRONT FACE OF BACKWALL.
- ② ALL WT WING REINFORCING STEEL TIED TO THE ABUTMENT BRIDGE SEAT, BACKWALL AND CURTAIN WALL REINFORCING STEEL MUST BE IN PLACE PRIOR TO POURING ABUTMENT CONCRETE. FOR ADDITIONAL INFORMATION SEE WING DETAILS.

APPROVED BY BRIDGE ENGINEER *Robert J. Duch* DATE 9-9-2011

OKLAHOMA DEPARTMENT OF TRANSPORTATION
COUNTY BRIDGE STANDARD (ENGLISH)

ABUTMENT DETAILS
TYPE IV P.C. BEAMS
(SHEET NO. 1 OF 2)

32' CLEAR ROADWAY - CONVENTIONAL - SKEWED 30°

2009 SPECIFICATIONS CB32-C-SK30-ABUT-PC4-1 01E CB-574E