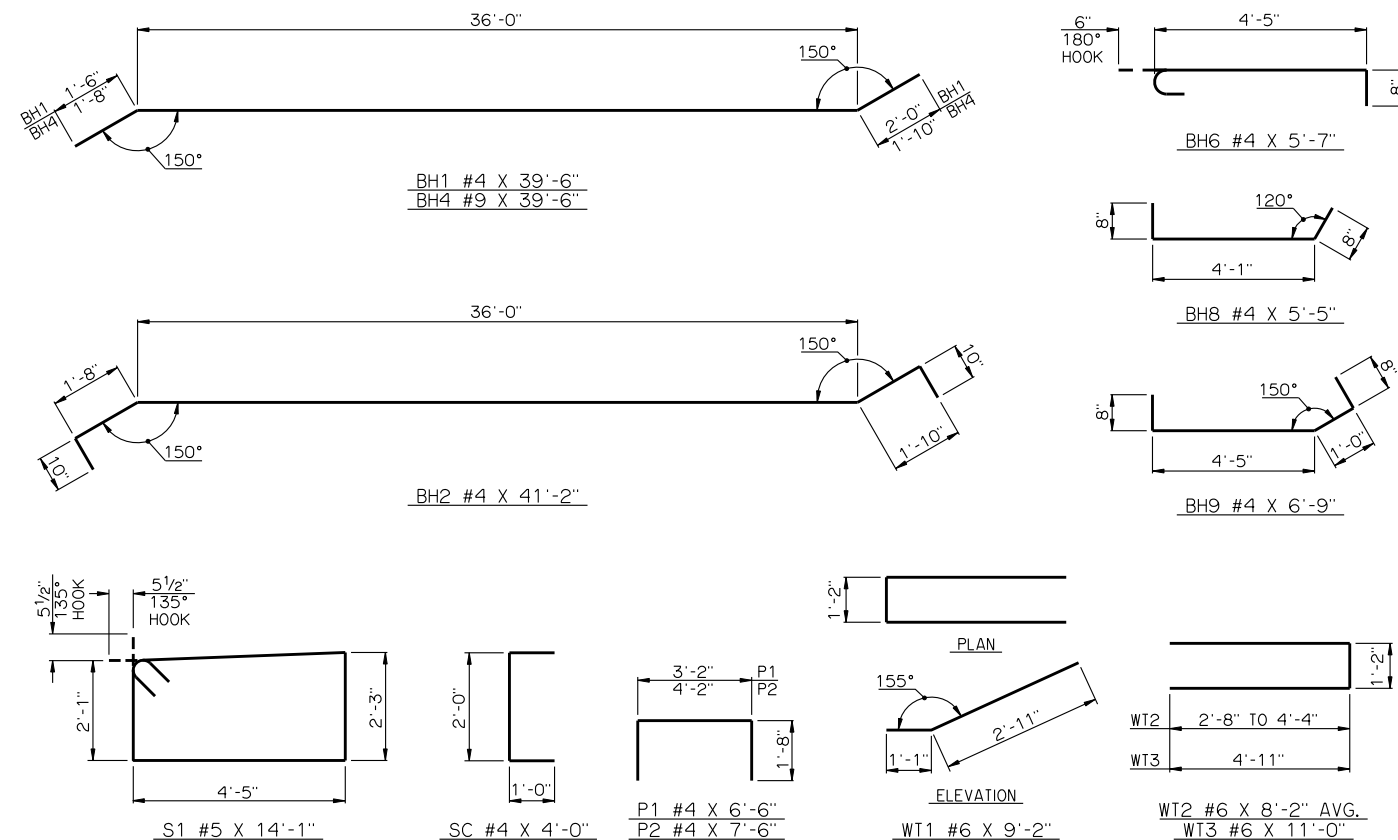
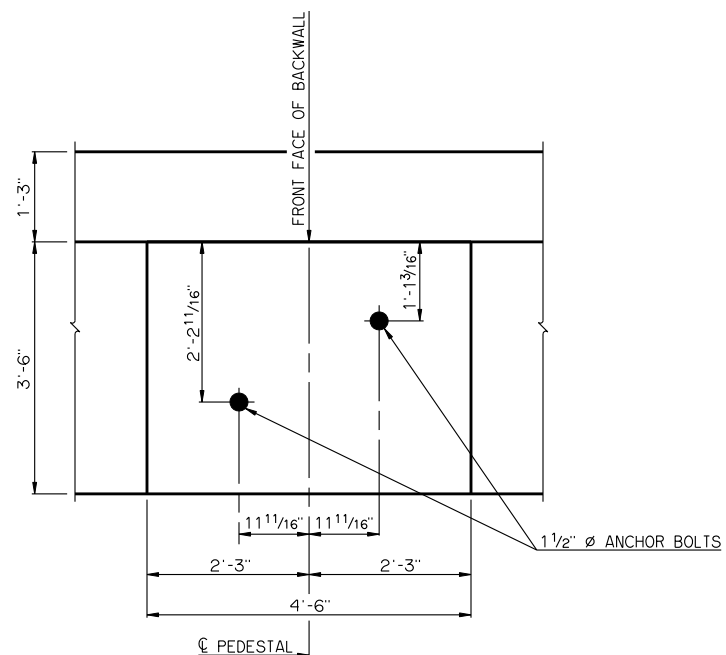


TYPICAL SECTION THRU ABUTMENT



DETAILS OF BENT REINFORCING STEEL



DETAIL OF PEDESTAL WITH LAYOUT OF ANCHOR BOLTS

BAR LIST - ONE ABUTMENT					
MARK	NO.	SIZE	FORM	LENGTH	LENGTH VARIATION
		BH1	7 #4 BNT.	39'-6"	-
		BH2	8 #4 BNT.	41'-2"	-
①		BH3	8 #9 STR.	38'-5" AVG.	37'-6" TO 39'-4"
		BH4	2 #9 BNT.	39'-6"	-
		BH5	1 #4 STR.	37'-6"	-
		BH6	21 #4 BNT.	5'-7"	-
		BH7	2 #9 STR.	12'-9"	-
		BH8	3 #4 BNT.	5'-5"	-
		BH9	3 #4 BNT.	6'-9"	-
②		BV1	38 #4 STR.	8'-5" AVG.	8'-3" TO 8'-7"
②		BV2	38 #5 STR.	8'-5" AVG.	8'-3" TO 8'-7"
		BV3	8 #6 STR.	8'-3"	-
		P1	24 #4 BNT.	6'-6"	-
		P2	16 #4 BNT.	7'-6"	-
		S1	42 #5 BNT.	14'-1"	-
		SC	6 #4 BNT.	4'-0"	-
		WT1	2 #6 BNT.	9'-2"	-
③		WT2	4 #6 BNT.	8'-2" AVG.	6'-6" TO 9'-10"
		WT3	20 #6 BNT.	11'-0"	-

① NO. INCLUDES TWO SETS OF 4 BARS
 ② NO. INCLUDES TWO SETS OF 19 BARS
 ③ NO. INCLUDES TWO SETS OF 2 BARS

APPROVED BY BRIDGE ENGINEER *Robert J. Hush* DATE 10-31-2011
 OKLAHOMA DEPARTMENT OF TRANSPORTATION
 COUNTY BRIDGE STANDARD (ENGLISH)
ABUTMENT DETAILS
 TYPE III AND TYPE C P.C. BEAMS
 (SHEET NO. 2 OF 2)
 32' CLEAR ROADWAY - CONVENTIONAL - SKEWED 30°
 2009 SPECIFICATIONS CB32-C-SK30-ABUT-PC3-2 02E CB-573E