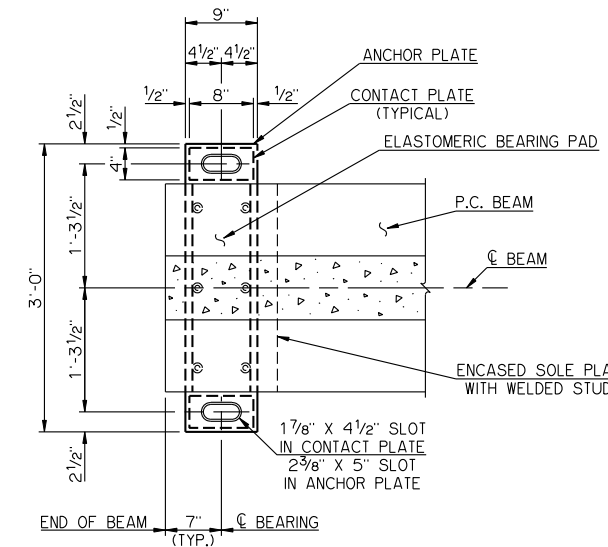
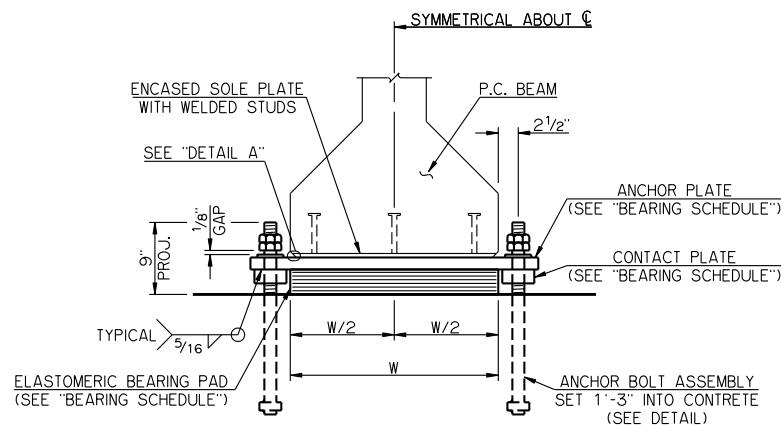


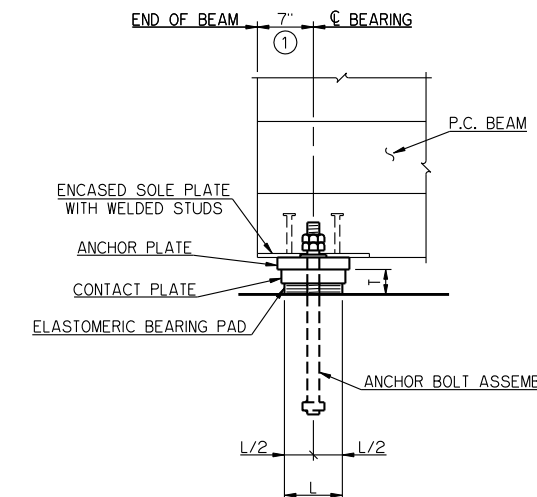
FIXED BEARING PLAN
ANCHOR BOLT ASSEMBLIES NOT SHOWN



EXPANSION BEARING PLAN
ANCHOR BOLT ASSEMBLIES NOT SHOWN

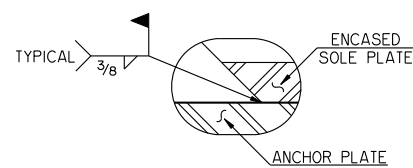


END VIEW

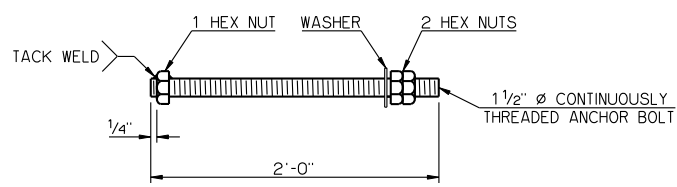


SIDE VIEW

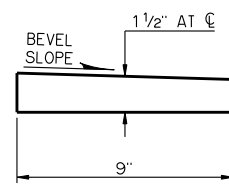
BEARING DETAILS



DETAIL A



ANCHOR BOLT ASSEMBLY DETAIL



BEVELED ANCHOR PLATE DETAIL

BEVELED ANCHOR PLATE IS REQUIRED WHEN ANGLE BETWEEN UNDERSIDE OF BEAM AND HORIZONTAL EXCEEDS 1.0%. BEVEL SLOPE TO MATCH ANGLE BETWEEN BEAM AND HORIZONTAL. PAINT THICKER EDGE RED.

SPAN	ANCHOR PLATE	CONTACT PLATE	60 DUROMETER ELASTOMERIC BEARING PAD			MAXIMUM EXPANSION LENGTH WITHOUT BONDING	
			SIZE (T X L X W)	COVER LAYER	INNER LAYER		
80'	1 1/2" X 9" X 3'-0"	3/4" X 4" X 8"	3 1/8" X 6 1/2" X 2'-2"	2-1/4"	5-3/8"	6-1/8"	260'
85'	1 1/2" X 9" X 3'-0"	1" X 4" X 8"	3 1/8" X 6 1/2" X 2'-2"	2-1/4"	5-3/8"	6-1/8"	260'
90'	1 1/2" X 9" X 3'-0"	1" X 4" X 8"	3 1/8" X 6 3/4" X 2'-2"	2-1/4"	5-3/8"	6-1/8"	260'
95'	1 1/2" X 9" X 3'-0"	1 1/4" X 4" X 8"	3 1/8" X 6 3/4" X 2'-2"	2-1/4"	5-3/8"	6-1/8"	260'
100'	1 1/2" X 9" X 3'-0"	1 1/4" X 4" X 8"	3 1/8" X 6 3/4" X 2'-2"	2-1/4"	5-3/8"	6-1/8"	260'
105'	1 1/2" X 9" X 3'-0"	1 1/2" X 4" X 8"	3 1/8" X 7" X 2'-2"	2-1/4"	5-3/8"	6-1/8"	260'
110'	1 1/2" X 9" X 3'-0"	1 1/2" X 4" X 8"	3 1/8" X 7" X 2'-2"	2-1/4"	5-3/8"	6-1/8"	260'
115'	1 1/2" X 9" X 3'-0"	1 3/4" X 4" X 8"	3 1/8" X 7" X 2'-2"	2-1/4"	5-3/8"	6-1/8"	260'
120'	1 1/2" X 9" X 3'-0"	1 3/4" X 4" X 8"	3 1/8" X 7 1/4" X 2'-2"	2-1/4"	5-3/8"	6-1/8"	260'

NOTES

STRUCTURAL STEEL FOR ANCHOR PLATES, CONTACT PLATES AND CONTINUOUSLY THREADED ANCHOR BOLTS SHALL CONFORM TO AASHTO M 270 (ASTM A 709), GRADE 50W. WEATHERING STEEL (CHARPY V-NOTCH TESTING NOT REQUIRED). HEX NUTS SHALL CONFORM TO AASHTO M 291 (ASTM A 563). WASHERS SHALL CONFORM TO AASHTO M 293 (ASTM F 436), TYPE 3. ANCHOR BOLT ASSEMBLIES SHALL BE GALVANIZED, AND ALL OTHER STEEL PARTS COMPRISING THE BEARING ASSEMBLIES SHALL BE PAINTED WITH THE IZ-E-U PAINT SYSTEM.

① ANCHOR BOLTS SHALL BE CENTERED IN SLOTS DURING SETTING OF BEAMS. DIMENSION MAY VARY AT EXPANSION BEARING DEPENDING ON TEMPERATURE AT THE TIME OF BEAM SETTING.

APPROVED BY BRIDGE ENGINEER *Robert D. Smith* DATE 9-9-2011

OKLAHOMA DEPARTMENT OF TRANSPORTATION
COUNTY BRIDGE STANDARD (ENGLISH)

BEARING DETAILS
TYPE IV AND TYPE BT-72 P.C. BEAMS

26' CLEAR ROADWAY - CONVENTIONAL - SKEWED 0° AND 30°

2009 SPECIFICATIONS CB26-C-SKO..30-BRG-PC4 01E CB-361E