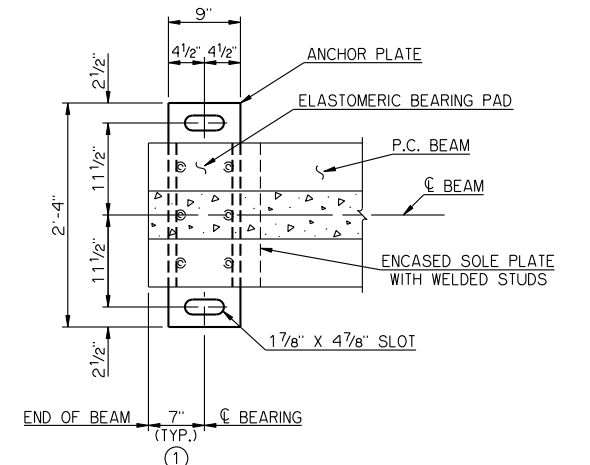
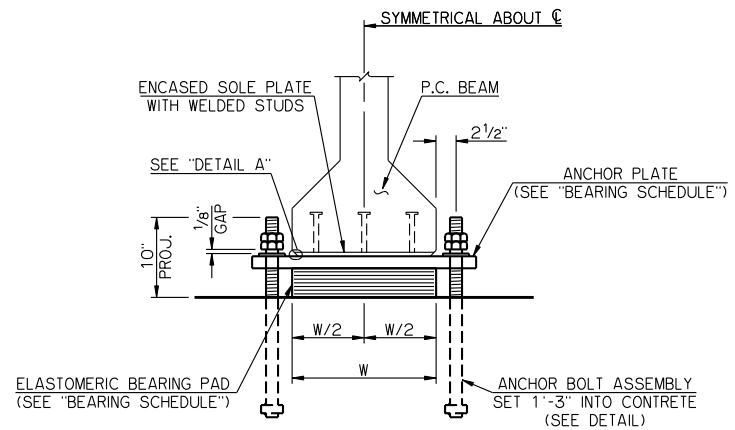


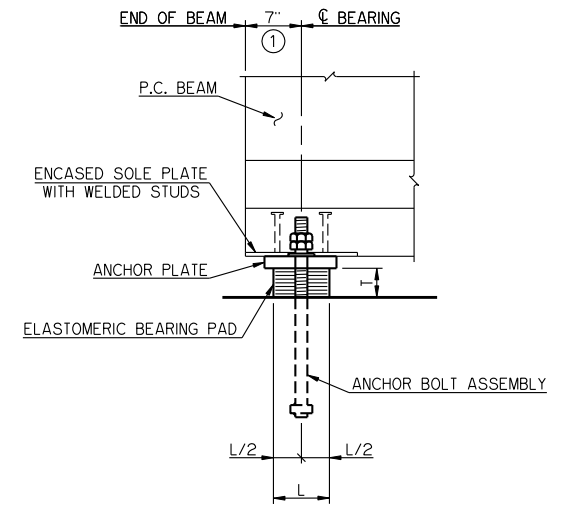
**FIXED BEARING PLAN**  
ANCHOR BOLT ASSEMBLIES NOT SHOWN



**EXPANSION BEARING PLAN**  
ANCHOR BOLT ASSEMBLIES NOT SHOWN

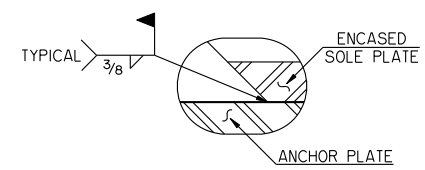


**END VIEW**

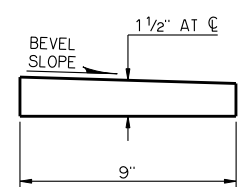


**SIDE VIEW**

**BEARING DETAILS**

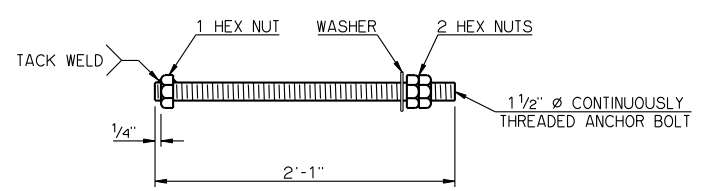


**DETAIL A**



**BEVELED ANCHOR PLATE DETAIL**

BEVELED ANCHOR PLATE IS REQUIRED WHEN ANGLE BETWEEN UNDERSIDE OF BEAM AND HORIZONTAL EXCEEDS 1.0%. BEVEL SLOPE TO MATCH ANGLE BETWEEN BEAM AND HORIZONTAL. PAINT THICKER EDGE RED.



**ANCHOR BOLT ASSEMBLY DETAIL**

SPAN	ANCHOR PLATE	60 DUROMETER ELASTOMERIC BEARING PAD			MAXIMUM EXPANSION LENGTH WITHOUT BONDING
		SIZE (T X L X W)	COVER LAYER	INNER LAYER	
30'	1 1/2" X 9" X 2'-4"	3 5/8" X 6 1/4" X 1'-6"	2-1/4"	6-3/8"	160'
35'	1 1/2" X 9" X 2'-4"	3 5/8" X 6 1/4" X 1'-6"	2-1/4"	6-3/8"	185'
40'	1 1/2" X 9" X 2'-4"	3 5/8" X 6 1/2" X 1'-6"	2-1/4"	6-3/8"	205'
45'	1 1/2" X 9" X 2'-4"	3 5/8" X 6 3/4" X 1'-6"	2-1/4"	6-3/8"	220'
50'	1 1/2" X 9" X 2'-4"	3 5/8" X 7" X 1'-6"	2-1/4"	6-3/8"	235'
55'	1 1/2" X 9" X 2'-4"	3 5/8" X 7" X 1'-6"	2-1/4"	6-3/8"	260'
60'	1 1/2" X 9" X 2'-4"	3 5/8" X 7" X 1'-6"	2-1/4"	6-3/8"	285'

**NOTES**  
STRUCTURAL STEEL FOR ANCHOR PLATES AND CONTINUOUSLY THREADED ANCHOR BOLTS SHALL CONFORM TO AASHTO M 270 (ASTM A 709), GRADE 50W, WEATHERING STEEL (CHARPY V-NOTCH TESTING NOT REQUIRED). HEX NUTS SHALL CONFORM TO AASHTO M 291 (ASTM A 563). WASHERS SHALL CONFORM TO AASHTO M 293 (ASTM F 436), TYPE 3. ANCHOR BOLT ASSEMBLIES SHALL BE GALVANIZED, AND ALL OTHER STEEL PARTS COMPRISING THE BEARING ASSEMBLIES SHALL BE PAINTED WITH THE IZ-E-U PAINT SYSTEM.

① ANCHOR BOLTS SHALL BE CENTERED IN SLOTS DURING SETTING OF BEAMS. DIMENSION MAY VARY AT EXPANSION BEARING DEPENDING ON TEMPERATURE AT THE TIME OF BEAM SETTING.

APPROVED BY BRIDGE ENGINEER *Robert D. Smith* DATE **9-9-2011**  
OKLAHOMA DEPARTMENT OF TRANSPORTATION  
COUNTY BRIDGE STANDARD (ENGLISH)  
**BEARING DETAILS**  
**TYPE II AND TYPE B P.C. BEAMS**  
**26' CLEAR ROADWAY - CONVENTIONAL - SKEWED 0° AND 30°**  
2009 SPECIFICATIONS      CB26-C-SKO..30-BRG-PC2      01E      CB-359E