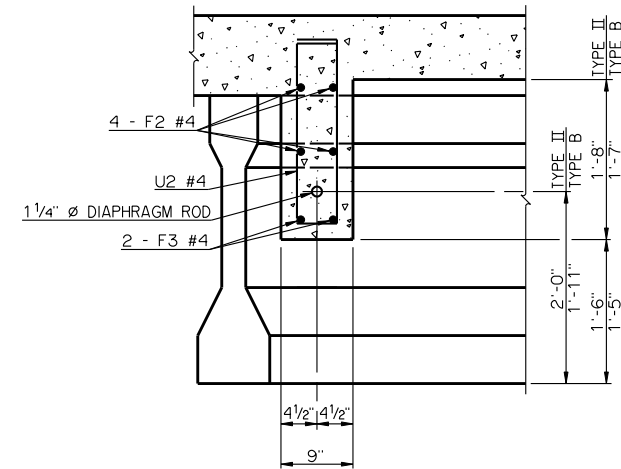
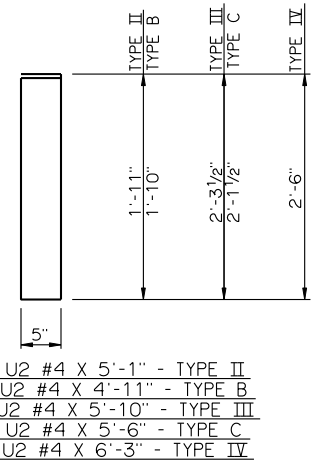


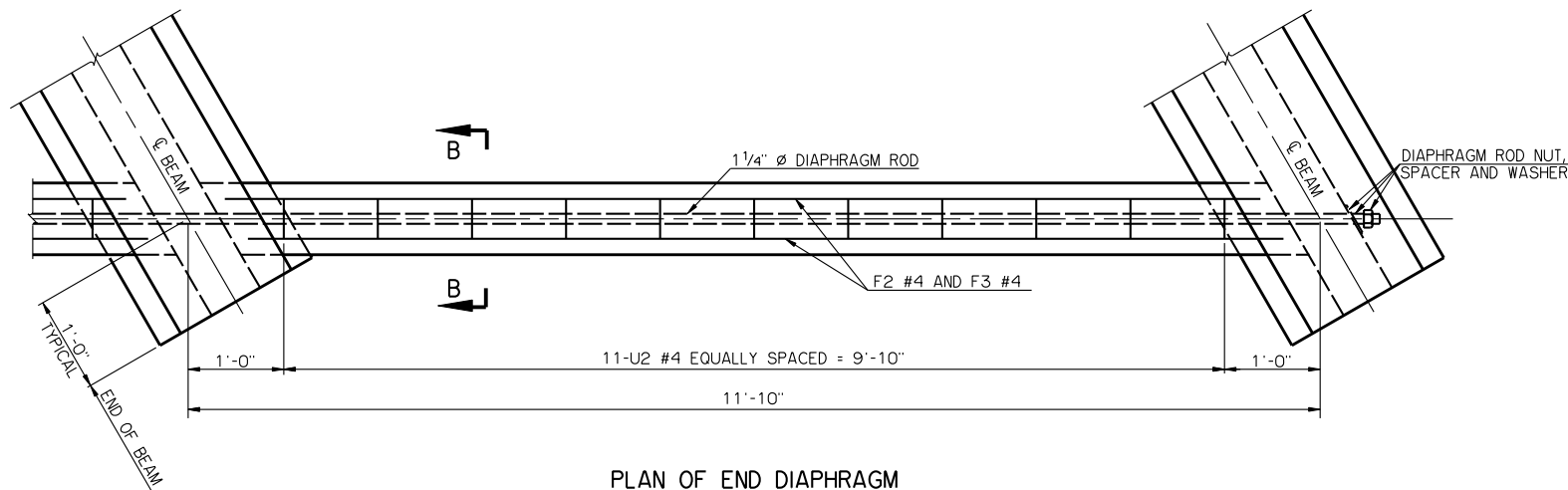
PLAN OF END DIAPHRAGM
TYPE II AND TYPE B P.C. BEAMS
 LEFT FORWARD SKEW SHOWN, RIGHT FORWARD SKEW OPPOSITE HAND



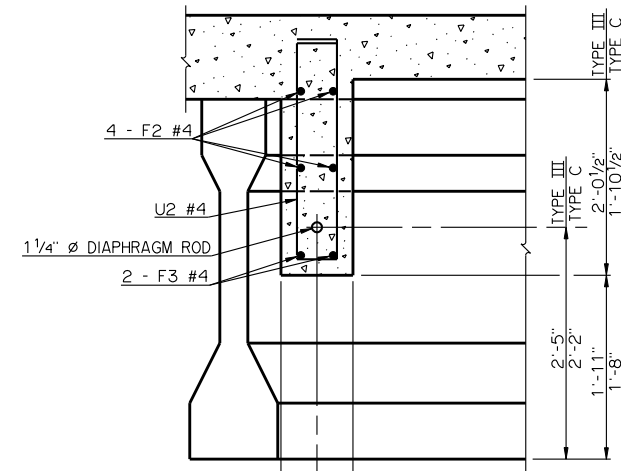
SECTION A-A



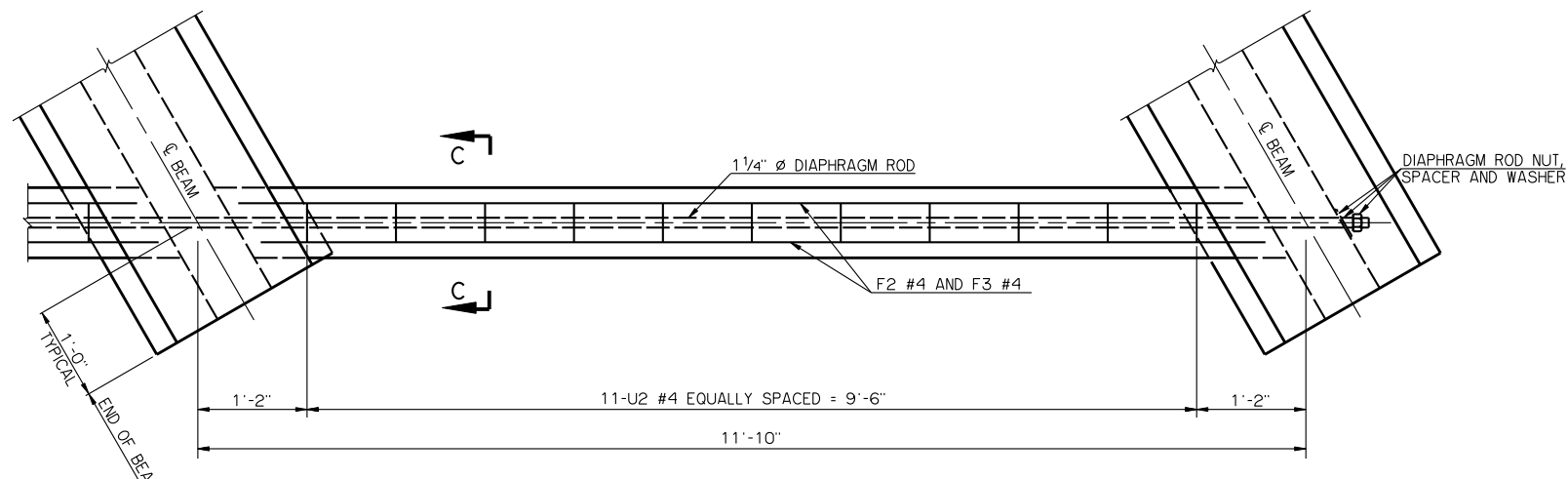
DETAILS OF BENT REINFORCING STEEL



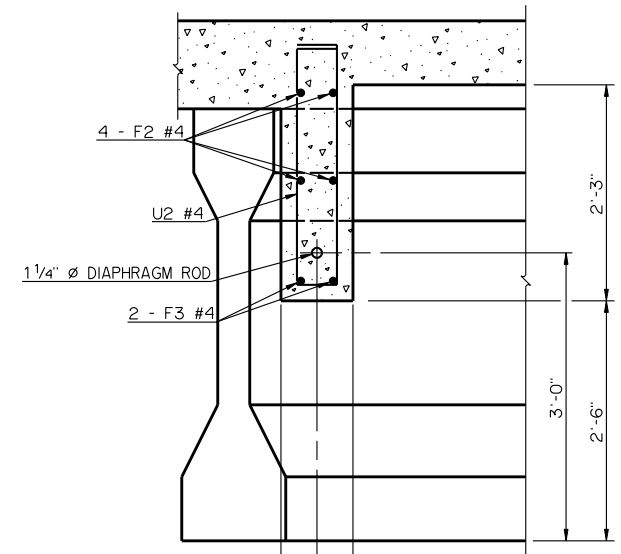
PLAN OF END DIAPHRAGM
TYPE III AND TYPE C P.C. BEAMS
 LEFT FORWARD SKEW SHOWN, RIGHT FORWARD SKEW OPPOSITE HAND



SECTION B-B



PLAN OF END DIAPHRAGM
TYPE IV P.C. BEAM
 LEFT FORWARD SKEW SHOWN, RIGHT FORWARD SKEW OPPOSITE HAND



SECTION C-C

BAR LIST - ONE END DIAPHRAGM					
P.C. BEAM	MARK	NO.	SIZE	FORM	LENGTH
TYPE II	U2	12	#4	BNT.	5'-1"
	F2	4	#4	STR.	10'-4"
	F3	2	#4	STR.	10'-11"
TYPE B	U2	12	#4	BNT.	4'-11"
	F2	4	#4	STR.	10'-4"
	F3	2	#4	STR.	10'-11"
TYPE III	U2	11	#4	BNT.	5'-10"
	F2	4	#4	STR.	10'-0"
	F3	2	#4	STR.	10'-10"
TYPE C	U2	11	#4	BNT.	5'-6"
	F2	4	#4	STR.	10'-2"
	F3	2	#4	STR.	10'-10"
TYPE IV	U2	11	#4	BNT.	6'-3"
	F2	4	#4	STR.	9'-7"
	F3	2	#4	STR.	10'-9"

APPROVED BY BRIDGE ENGINEER *Robert J. Duch* DATE 9-9-2011
 OKLAHOMA DEPARTMENT OF TRANSPORTATION
 COUNTY BRIDGE STANDARD (ENGLISH)
END DIAPHRAGM DETAILS
TYPE II, B, III, C AND IV P.C. BEAMS
 26' CLEAR ROADWAY - CONVENTIONAL - SKEWED 30°
 2009 SPECIFICATIONS CB26-C-SK30-DIA-END-PC234 01E
 CB-240E