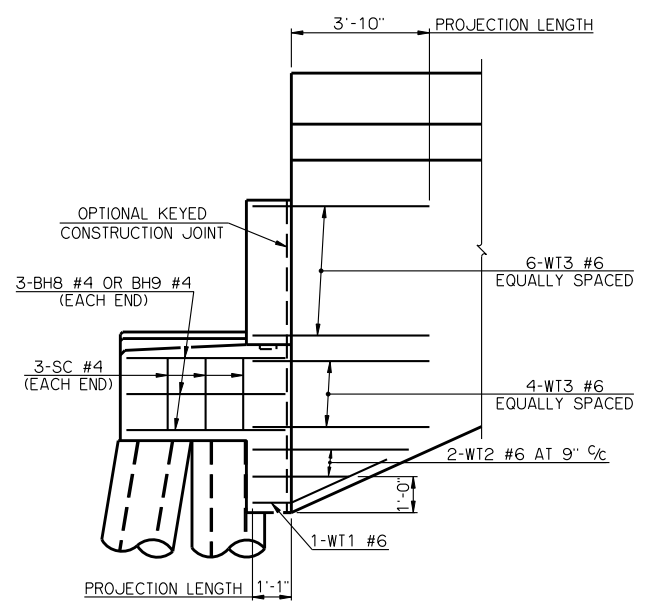
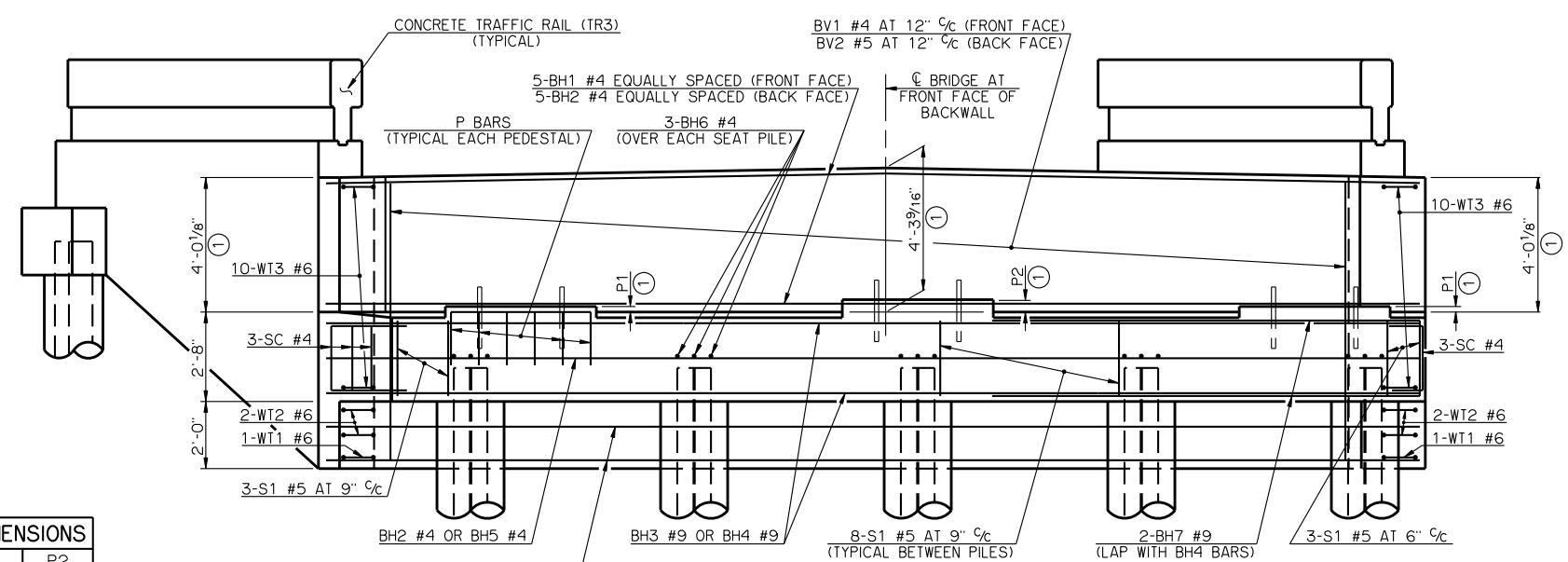


PILE SCHEDULE	
SPAN	MAXIMUM FACTORED PILE LOAD
60'	75.7 TON
65'	78.8 TON
70'	81.4 TON
75'	83.9 TON
80'	86.5 TON
85'	89.0 TON



PLAN
LEFT FORWARD SKEW SHOWN, RIGHT FORWARD SKEW OPPOSITE HAND



PEDESTAL DIMENSIONS		
BEAM TYPE	P1	P2
TYPE III	2"	4 7/16"
TYPE C	7"	9 7/16"

ELEVATION
LEFT FORWARD SKEW SHOWN, RIGHT FORWARD SKEW OPPOSITE HAND

SUMMARY OF QUANTITIES - ONE ABUTMENT ③		
ITEM	UNIT	TOTAL
SUBSTRUCTURE EXCAVATION, COMMON	CY	70.00
GRANULAR BACKFILL	CY	44.00
CLASS A CONCRETE	CY	25.50
REINFORCING STEEL	LB	3,260.00
PILES, FURNISHED (HP 12X53)	LF	-
PILES, DRIVEN (HP 12X53)	LF	-
6" PERFORATED PIPE UNDERDRAIN	LF	30.00
6" NON-PERFORATED PIPE UNDERDRAIN	LF	-

③ EXCLUDES WINGS

- ① DIMENSIONS ARE FROM TOP OF BRIDGE SEAT AT FRONT FACE OF BACKWALL.
- ② ALL WT WING REINFORCING STEEL TIED TO THE ABUTMENT BRIDGE SEAT, BACKWALL AND CURTAIN WALL REINFORCING STEEL MUST BE IN PLACE PRIOR TO POURING ABUTMENT CONCRETE. FOR ADDITIONAL INFORMATION SEE WING DETAILS.

APPROVED BY BRIDGE ENGINEER *Robert J. Duch* DATE 9-9-2011

OKLAHOMA DEPARTMENT OF TRANSPORTATION
COUNTY BRIDGE STANDARD (ENGLISH)

ABUTMENT DETAILS
TYPE III AND TYPE C P.C. BEAMS
(SHEET NO. 1 OF 2)

26' CLEAR ROADWAY - CONVENTIONAL - SKEWED 30°

2009 SPECIFICATIONS CB26-C-SK30-ABUT-PC3-1 01E CB-197E