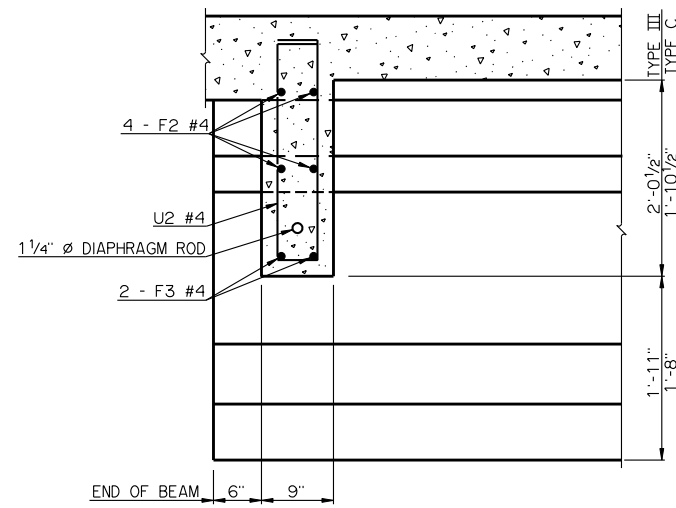
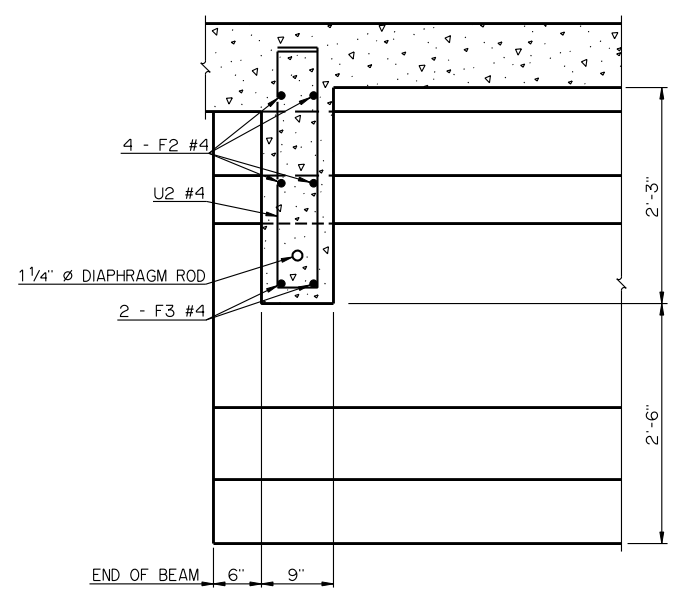


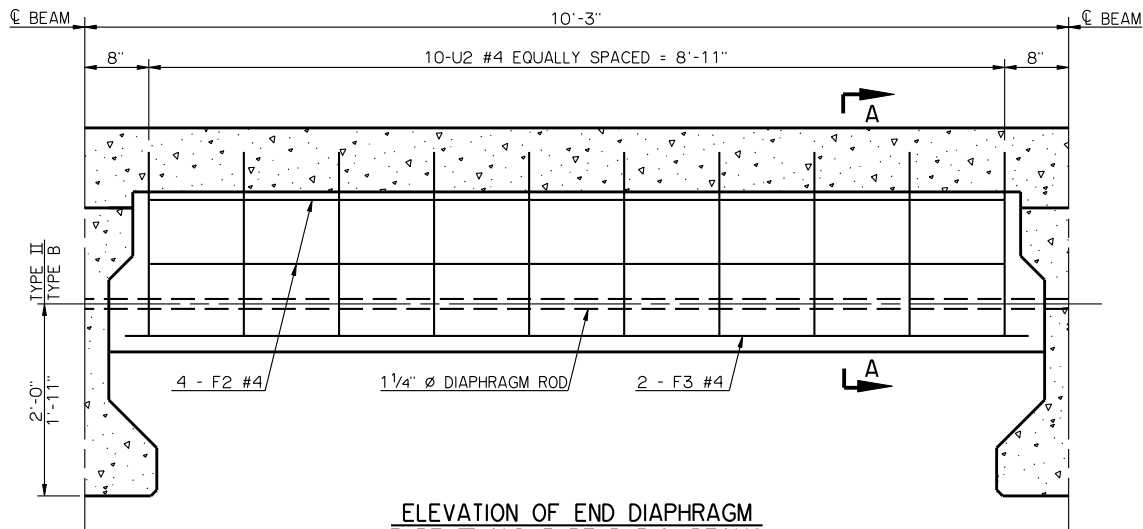
SECTION A-A



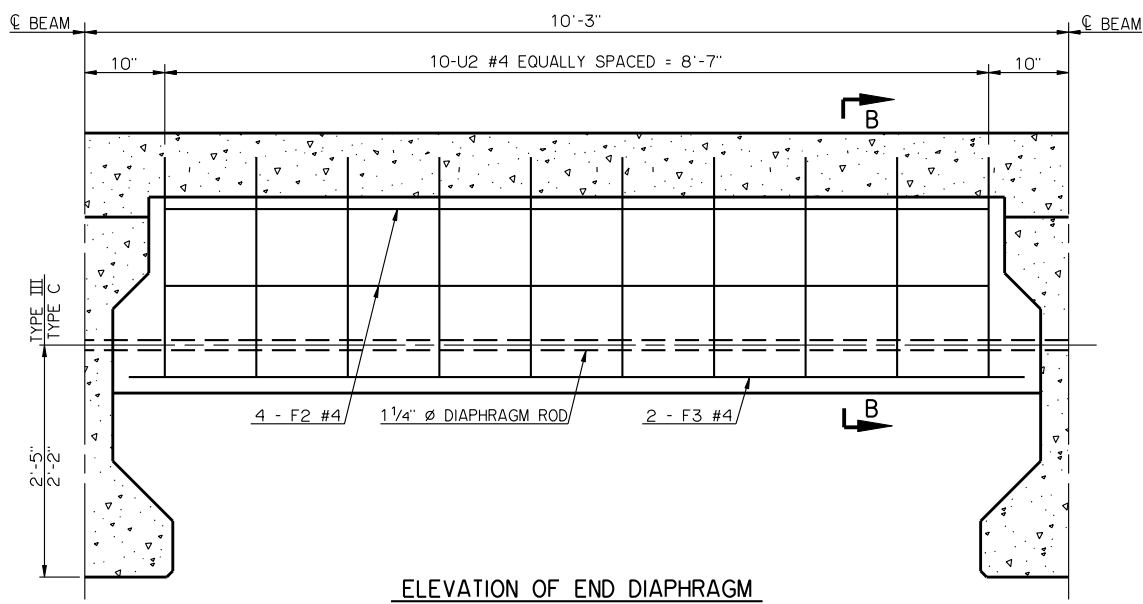
SECTION B-B



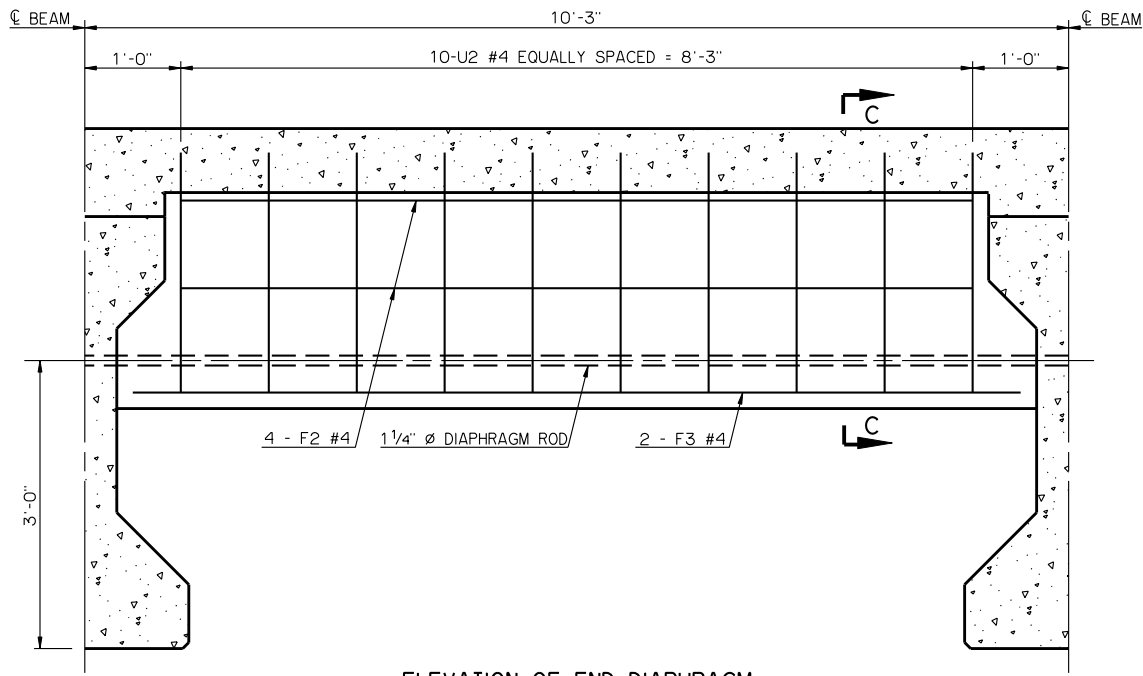
SECTION C-C



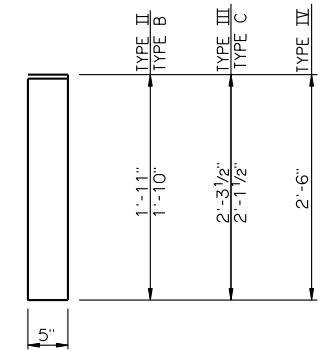
ELEVATION OF END DIAPHRAGM  
TYPE II AND TYPE B P.C. BEAMS



ELEVATION OF END DIAPHRAGM  
TYPE III AND TYPE C P.C. BEAMS



ELEVATION OF END DIAPHRAGM  
TYPE IV P.C. BEAM



- U2 #4 X 5'-1" - TYPE II
- U2 #4 X 4'-11" - TYPE B
- U2 #4 X 5'-10" - TYPE III
- U2 #4 X 5'-6" - TYPE C
- U2 #4 X 6'-3" - TYPE IV

DETAILS OF BENT REINFORCING STEEL

BAR LIST - ONE END DIAPHRAGM					
P.C. BEAM	MARK	NO.	SIZE	FORM	LENGTH
TYPE II	U2	10	#4	BNT.	5'-1"
	F2	4	#4	STR.	8'-11"
	F3	2	#4	STR.	9'-5"
TYPE B	U2	10	#4	BNT.	4'-11"
	F2	4	#4	STR.	8'-11"
	F3	2	#4	STR.	9'-5"
TYPE III	U2	10	#4	BNT.	5'-10"
	F2	4	#4	STR.	8'-7"
	F3	2	#4	STR.	9'-4"
TYPE C	U2	10	#4	BNT.	5'-6"
	F2	4	#4	STR.	8'-9"
	F3	2	#4	STR.	9'-4"
TYPE IV	U2	10	#4	BNT.	6'-3"
	F2	4	#4	STR.	8'-3"
	F3	2	#4	STR.	9'-3"

APPROVED BY BRIDGE ENGINEER *Robert D. Smith* DATE 9-9-2011  
 OKLAHOMA DEPARTMENT OF TRANSPORTATION  
 COUNTY BRIDGE STANDARD (ENGLISH)  
**END DIAPHRAGM DETAILS**  
 TYPE II, B, III, C AND IV P.C. BEAMS  
 26' CLEAR ROADWAY - CONVENTIONAL - SKEWED 0°  
 2009 SPECIFICATIONS CB26-C-SKO-DIA-END-PC234 01E  
 CB-177E