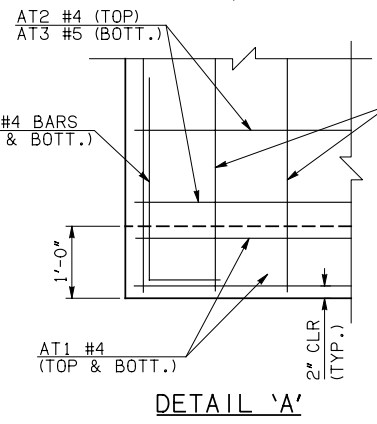
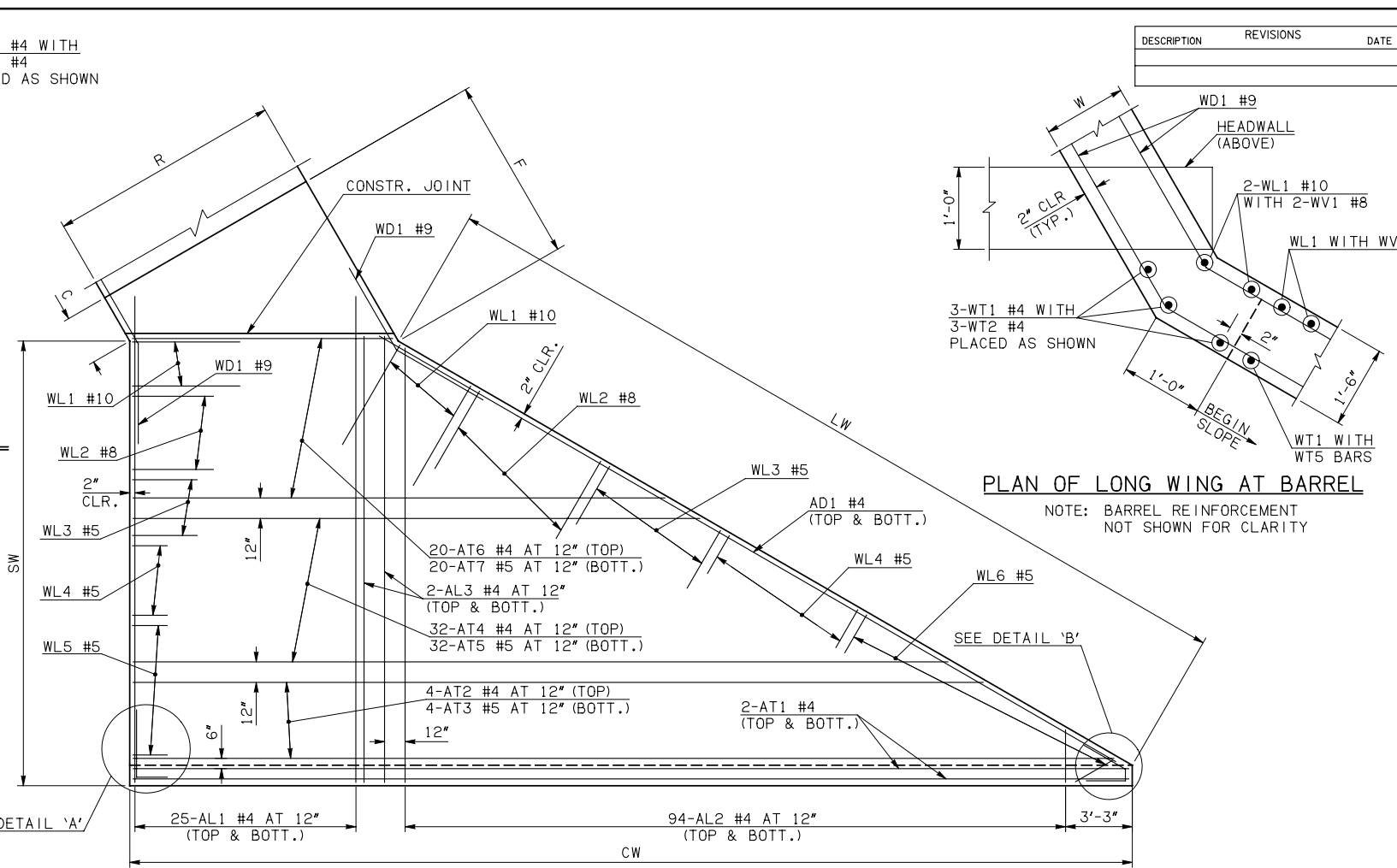
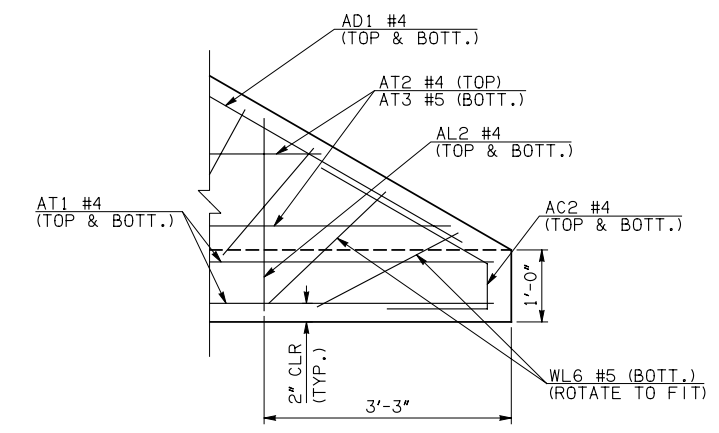


END SECTION PLAN



APRON REINFORCING



DETAIL 'B'

END SECTION VARIABLE DIMENSIONS

SPAN	W	A	B	C	CW	D	E	F	G	H	LW	R	SW
20'	17"	9'-0"	2'-5"	3'-2 1/4"	122'-8 3/4"	3'-8 3/4"	15'-7"	15'-8 3/4"	16'-3 1/4"	26'-11 1/4"	111'-7 1/2"	22'-10"	56'-3 1/4"

APRON AND HEADWALL BAR LIST

MARK	SIZE	FORM	20' SPAN		
			QTY.	LENGTH	REMARKS
AC1	#4	BNT	2	3'-8"	
AC2	#4	BNT	2	3'-8"	
① AD1	#4	STR	2	114'-0"	
AL1	#4	STR	50	58'-9"	
③ AL2	#4	STR	188	29'-4" AVG.	2'-6" TO 56'-2"
AL3	#4	STR	4	56'-9"	
② AT1	#4	STR	4	127'-4"	
② AT2	#4	STR	4	123'-11 1/2" AVG.	121'-4" TO 126'-7"
② AT3	#5	STR	4	123'-11 1/2" AVG.	121'-4" TO 126'-7"
① AT4	#4	STR	32	90'-4" AVG.	63'-6" TO 117'-2"
① AT5	#5	STR	32	90'-4" AVG.	63'-6" TO 117'-2"
AT6	#4	STR	20	42'-9 1/2" AVG.	26'-4" TO 59'-3"
AT7	#5	STR	20	42'-9 1/2" AVG.	26'-4" TO 59'-3"
CH	#4	STR	4	26'-7"	
CL1	#4	BNT	27	4'-4"	
CL2	#4	BNT	27	4'-3"	
HD	#9	STR	2	26'-7"	

- ① INCLUDES 2'-6" LAP
- ② INCLUDES TWO 2'-6" LAPS
- ③ QUANTITY SHOWN REPRESENTS TWO SETS.

APPROVED BY BRIDGE ENGINEER *Robert J. Nisch* DATE 4/09/09

OKLAHOMA DEPT. OF TRANSPORTATION
BRIDGE STANDARD (ENGLISH)
RCB CULVERTS - END SECTION DETAILS
SINGLE CELL - 17'-0" HEIGHT - 30°
SHEET NO. 1 OF 3

1999 SPECIFICATIONS	RCB-E1-H17-30-1	OOE
		B-696E