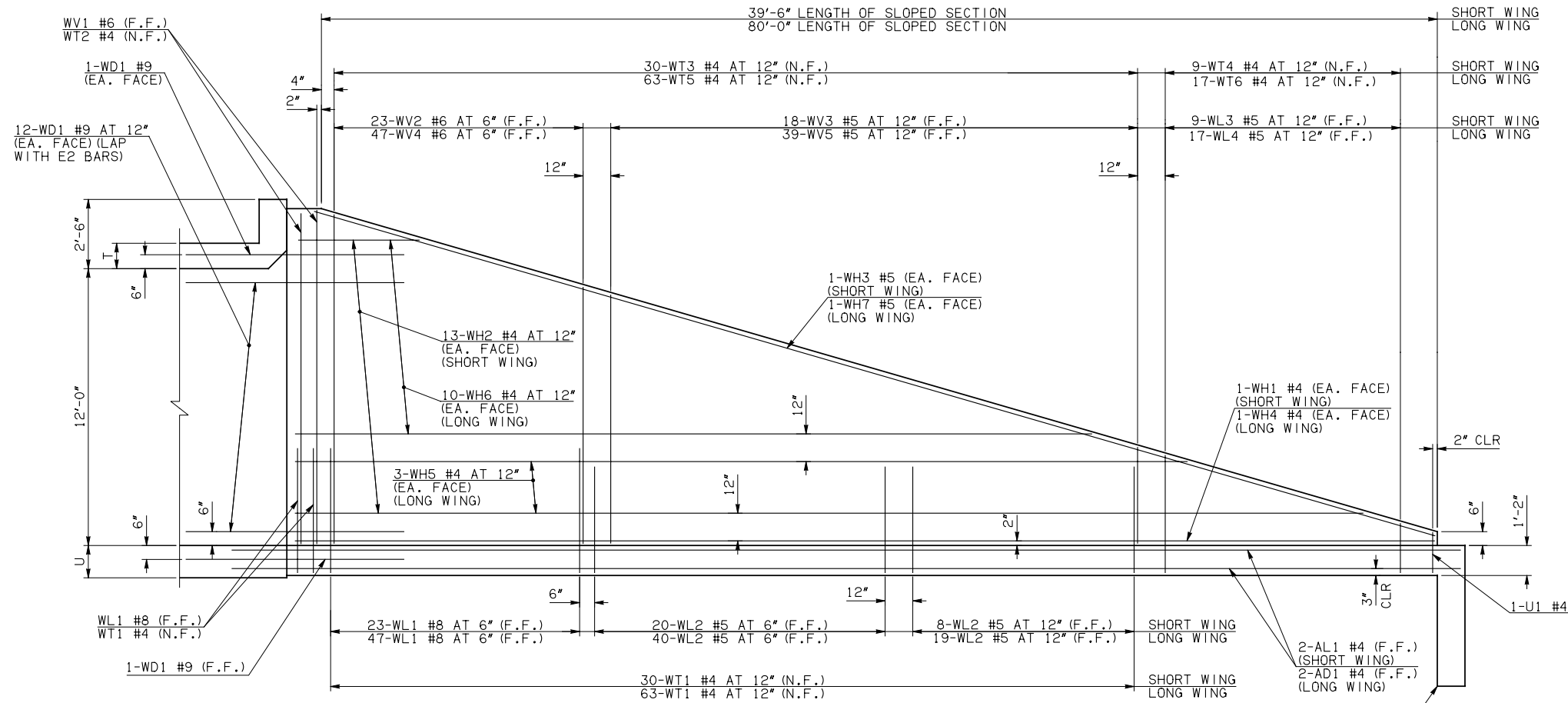
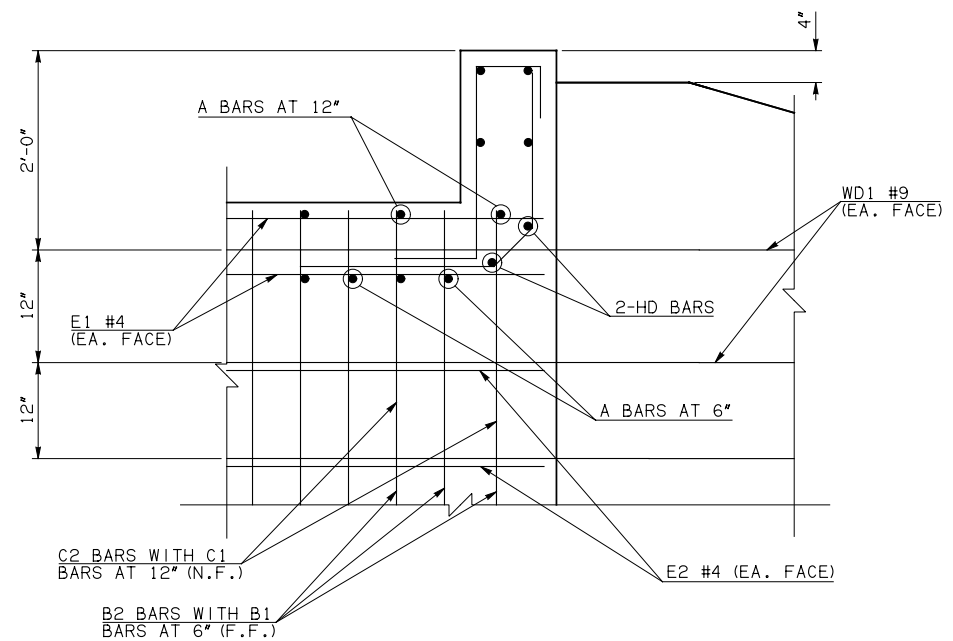


DESCRIPTION	REVISIONS	DATE



NOTE: F.F. = FAR FACE  
N.F. = NEAR FACE

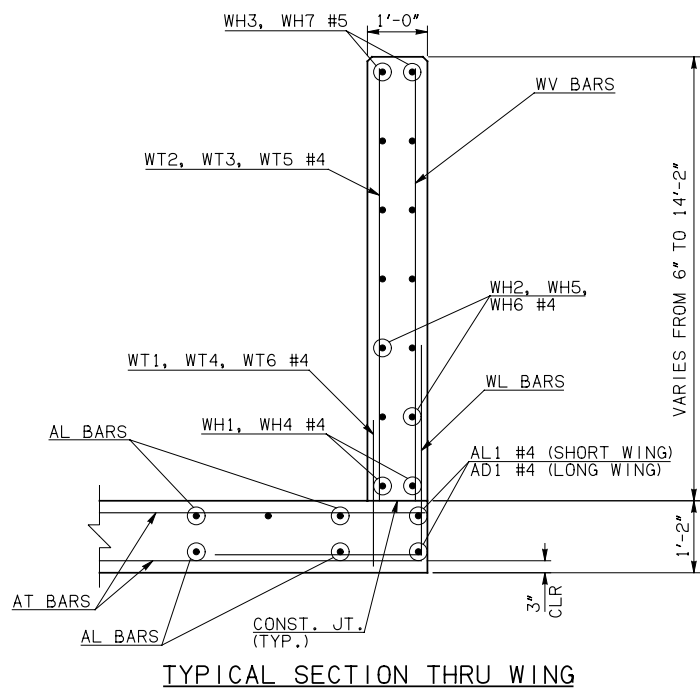
WING ELEVATION



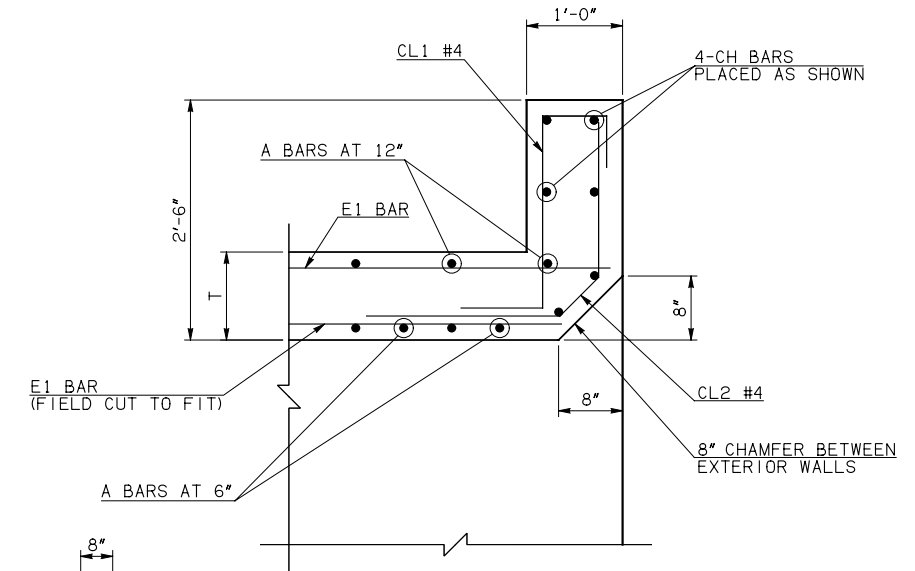
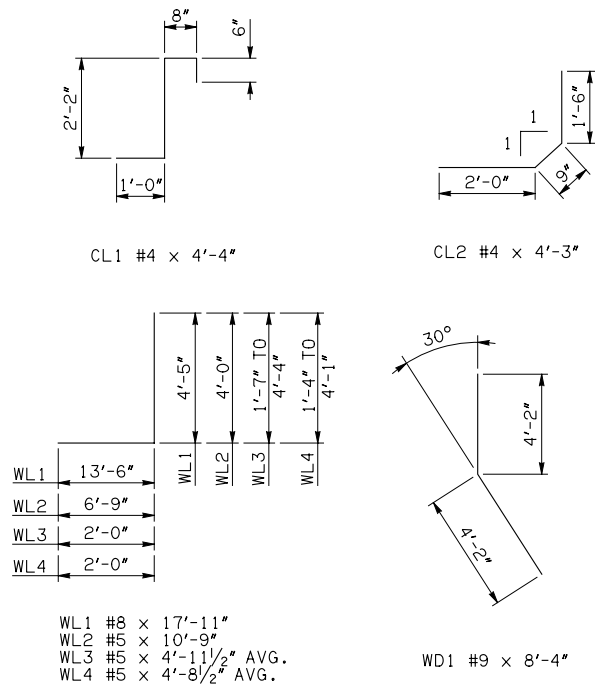
③ HEADWALL DETAIL AT EXTERIOR WALL

WINGWALL BAR LIST  
(LONG AND SHORT WING INCLUDED)

MARK	SIZE	QTY.	FORM	LENGTH	REMARKS
WD1	#9	54	BNT	8'-4"	
WH1	#4	2	STR	40'-4"	
② WH2	#4	26	STR	20'-7 1/2" AVG.	3'-3" TO 38'-0"
WH3	#5	2	STR	41'-7"	
WH4	#4	2	STR	83'-4"	
① WH5	#4	6	STR	72'-8 1/2" AVG.	66'-10" TO 78'-7"
② WH6	#4	20	STR	32'-2" AVG.	5'-10" TO 58'-6"
① WH7	#5	2	STR	83'-5"	
WL1	#8	74	BNT	17'-11"	
WL2	#5	87	BNT	10'-9"	
WL3	#5	9	BNT	4'-11 1/2" AVG.	3'-7" TO 6'-4"
WL4	#5	17	BNT	4'-8 1/2" AVG.	3'-4" TO 6'-1"
WT1	#4	98	STR	2'-10"	
WT2	#4	5	STR	14'-0"	
WT3	#4	30	STR	8'-10" AVG.	3'-10" TO 13'-10"
WT4	#4	9	STR	2'-11 1/2" AVG.	1'-7" TO 4'-4"
WT5	#4	63	STR	8'-7 1/2" AVG.	3'-4" TO 13'-11"
WT6	#4	17	STR	2'-8 1/2" AVG.	1'-4" TO 4'-1"
WV1	#6	4	STR	14'-0"	
WV2	#6	23	STR	11'-11" AVG.	10'-0" TO 13'-10"
WV3	#5	18	STR	6'-9" AVG.	3'-10" TO 9'-8"
WV4	#6	47	STR	11'-11 1/2" AVG.	10'-0" TO 13'-11"
WV5	#5	39	STR	6'-7" AVG.	3'-4" TO 9'-10"
U1	#4	2	BNT	3'-2"	



TYPICAL SECTION THRU WING



③ HEADWALL DETAIL AT MIDSPAN

DIMENSION SHOWN NORMAL TO HEADWALL  
NOTES:  
① INCLUDES 2'-6" LAP  
② QUANTITY SHOWN REPRESENTS TWO SETS.  
③ FOR FURTHER INFORMATION REGARDING END SECTION BARS A, B, C, E1, AND E2, REFER TO RCB CULVERT - BARREL DETAILS.

HEADWALL BAR LIST

MARK	FORM	12' SPAN			14' SPAN			16' SPAN			18' SPAN			20' SPAN		
		SIZE	QTY.	LENGTH	SIZE	QTY.	LENGTH	SIZE	QTY.	LENGTH	SIZE	QTY.	LENGTH	SIZE	QTY.	LENGTH
CH	STR	#4	4	16'-4"	#4	4	18'-10"	#5	4	21'-9"	#5	4	23'-10"	#5	4	26'-2"
CL1	BNT	#4	17	4'-4"	#4	19	4'-4"	#4	22	4'-4"	#4	24	4'-4"	#4	26	4'-4"
CL2	BNT	#4	17	4'-3"	#4	19	4'-3"	#4	22	4'-3"	#4	24	4'-3"	#4	26	4'-3"
HD	STR	#8	2	16'-4"	#8	2	18'-10"	#9	2	21'-9"	#9	2	23'-10"	#9	2	26'-2"

APPROVED BY BRIDGE ENGINEER *Robert J. Nusch* DATE 4/09/09

**OKLAHOMA DEPT. OF TRANSPORTATION**  
**BRIDGE STANDARD (ENGLISH)**  
RCB CULVERTS - END SECTION DETAILS  
SINGLE CELL - 12'-0" HEIGHT - 30°  
SHEET NO. 3 OF 3

1999 SPECIFICATIONS      RCB-E1-H12-30-3      OOE      B-692E