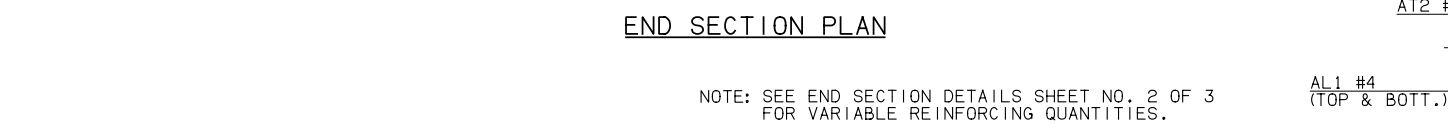
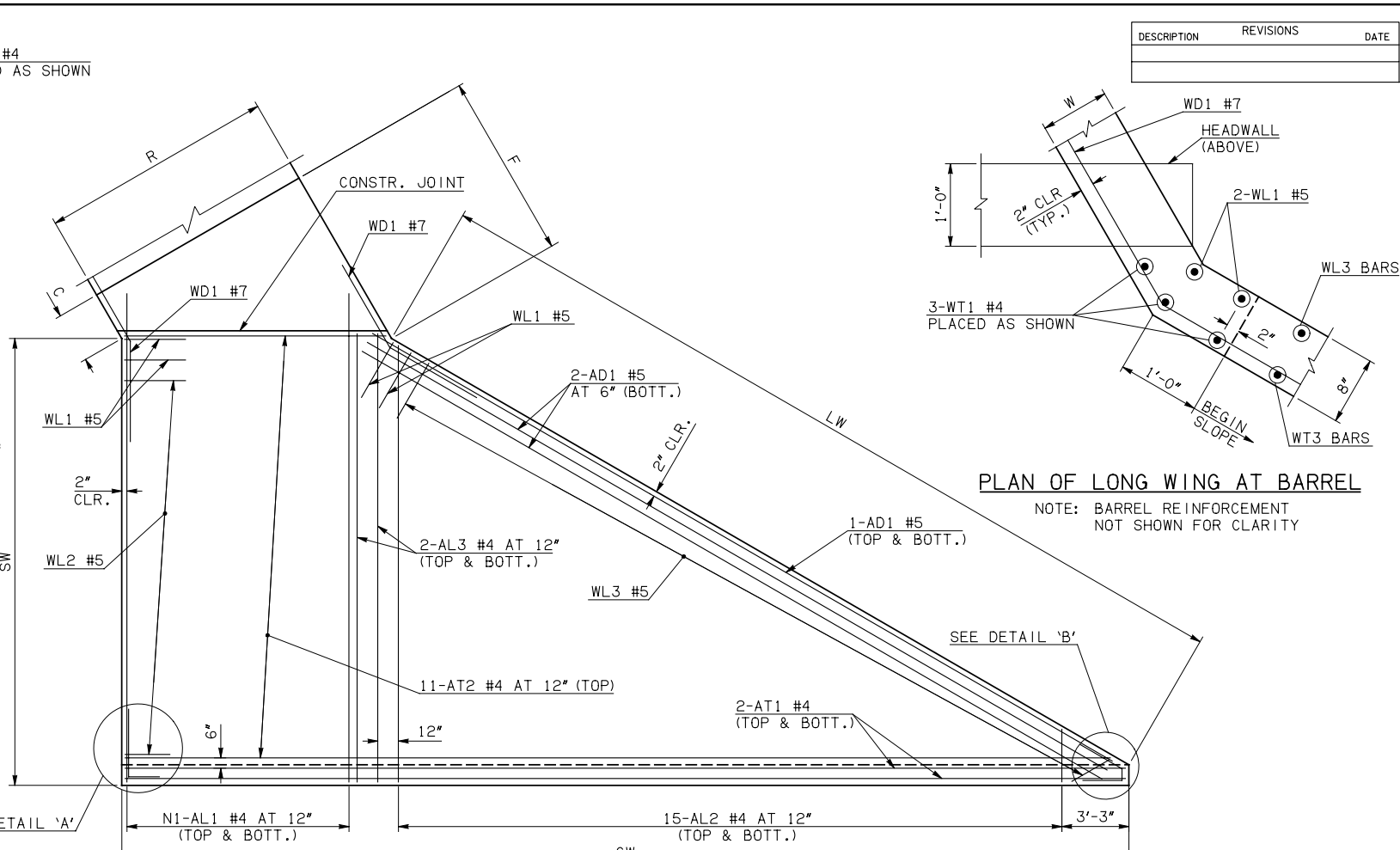
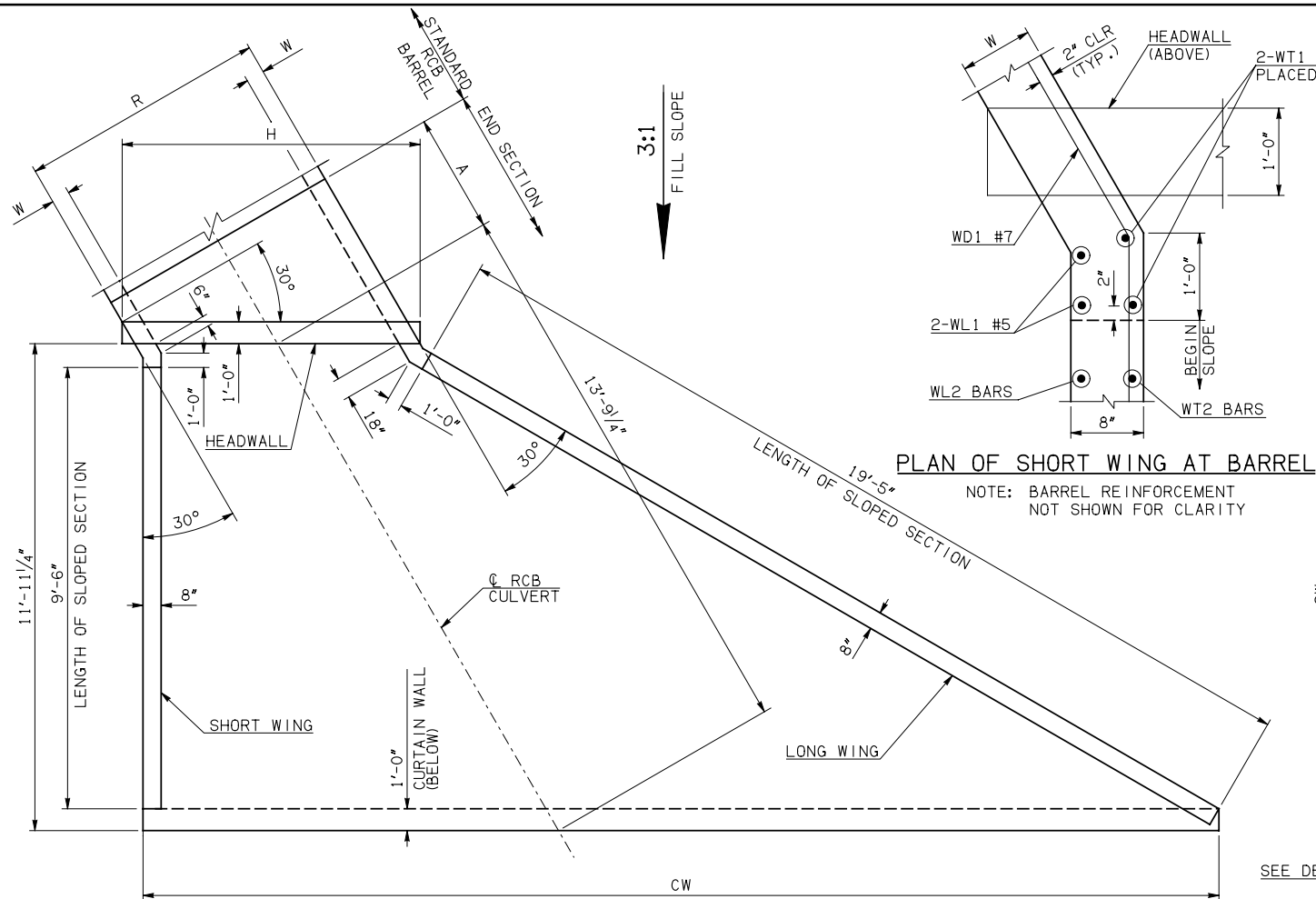
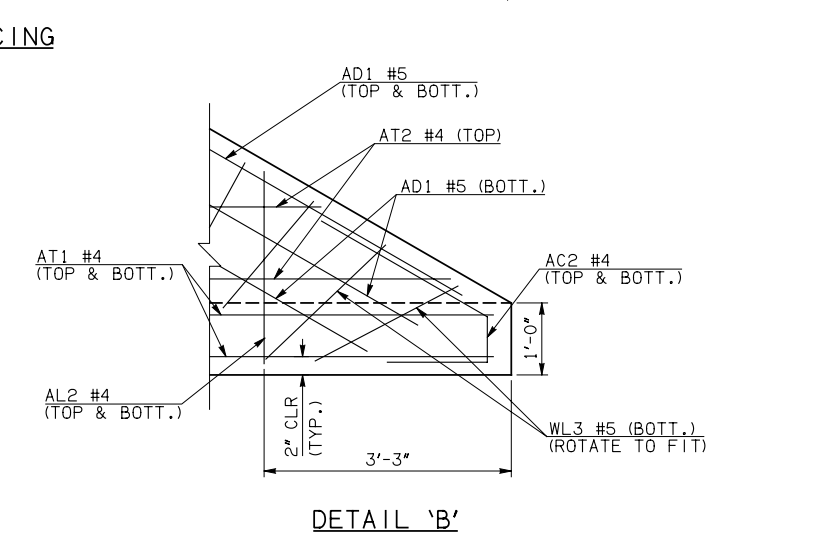
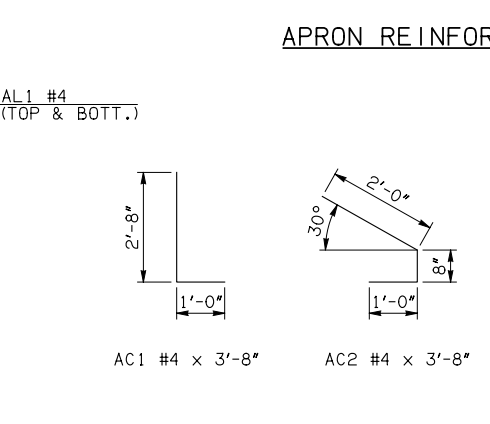
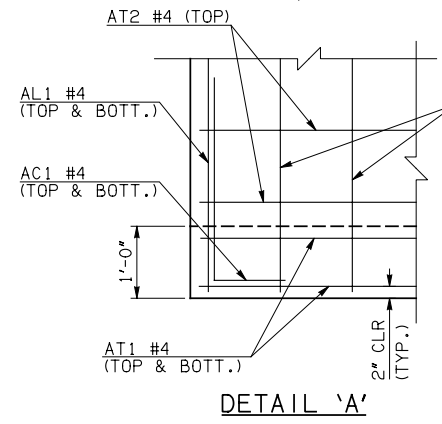


DESCRIPTION	REVISIONS	DATE



END SECTION VARIABLE DIMENSIONS													
SPAN	W	A	B	C	CW	D	E	F	G	H	LW	R	SW
3'	6"	4'-0"	2'-10 1/4"	3'-2"	22'-7 3/4"	3'-7 1/2"	5'-1 3/4"	5'-10 3/4"	6'-4 1/2"	5'-2 1/4"	20'-7"	4'-0"	11'-7 3/4"
4'	7"	4'-0"	2'-6"	3'-0 1/4"	23'-9 3/4"	3'-4 1/4"	5'-6"	6'-4"	6'-7 3/4"	6'-6 1/2"	20'-5"	5'-2"	11'-5 3/4"
5'	6"	4'-0"	2'-3 1/4"	2'-7"	24'-11 1/2"	3'-0 3/4"	5'-8 3/4"	6'-5 3/4"	6'-11 1/4"	7'-6"	20'-7"	6'-0"	11'-7 3/4"

APRON AND HEADWALL BAR LIST														
ONE APRON AND ONE HEADWALL SHOWN														
MARK	SIZE	FORM	3' SPAN				4' SPAN				5' SPAN			
			QTY.	LENGTH	REMARKS	QTY.	LENGTH	REMARKS	QTY.	LENGTH	REMARKS			
AC1	#4	BNT	2	3'-8"		2	3'-8"		2	3'-8"				
AC2	#4	BNT	2	3'-8"		2	3'-8"		2	3'-8"				
AD1	#5	STR	4	21'-6"		4	21'-6"		4	21'-6"				
AL1	#4	STR	6	13'-9"		10	13'-9"		12	13'-9"				
AL2	#4	STR	30	6'-6 1/2" AVG.	2'-6" TO 10'-7"	30	6'-6 1/2" AVG.	2'-6" TO 10'-7"	30	6'-6 1/2" AVG.	2'-6" TO 10'-7"			
AT1	#4	STR	4	22'-3"		4	23'-5"		4	24'-7"				
AT2	#4	STR	11	12'-10 1/2" AVG.	4'-3" TO 21'-6"	11	14'-0" AVG.	5'-4" TO 22'-8"	11	15'-2" AVG.	6'-6" TO 23'-10"			
CH	#4	STR	4	4'-10"		4	6'-2"		4	7'-2"				
CL1	#4	BNT	5	4'-4"		7	4'-4"		8	4'-4"				
CL2	#4	BNT	5	4'-3"		7	4'-3"		8	4'-3"				
HD	#6	STR	2	4'-10"		2	6'-2"		2	7'-2"				



① QUANTITY SHOWN REPRESENTS TWO SETS.

APPROVED BY BRIDGE ENGINEER *Debra J. Nuss* DATE 4/09/09

OKLAHOMA DEPT. OF TRANSPORTATION
BRIDGE STANDARD (ENGLISH)
 RCB CULVERTS - END SECTION DETAILS
 SINGLE CELL - 2'-0" HEIGHT - 30°
 SHEET NO. 1 OF 3

1999 SPECIFICATIONS	RCB-E1-H2-30-1	OOE
		B-660E