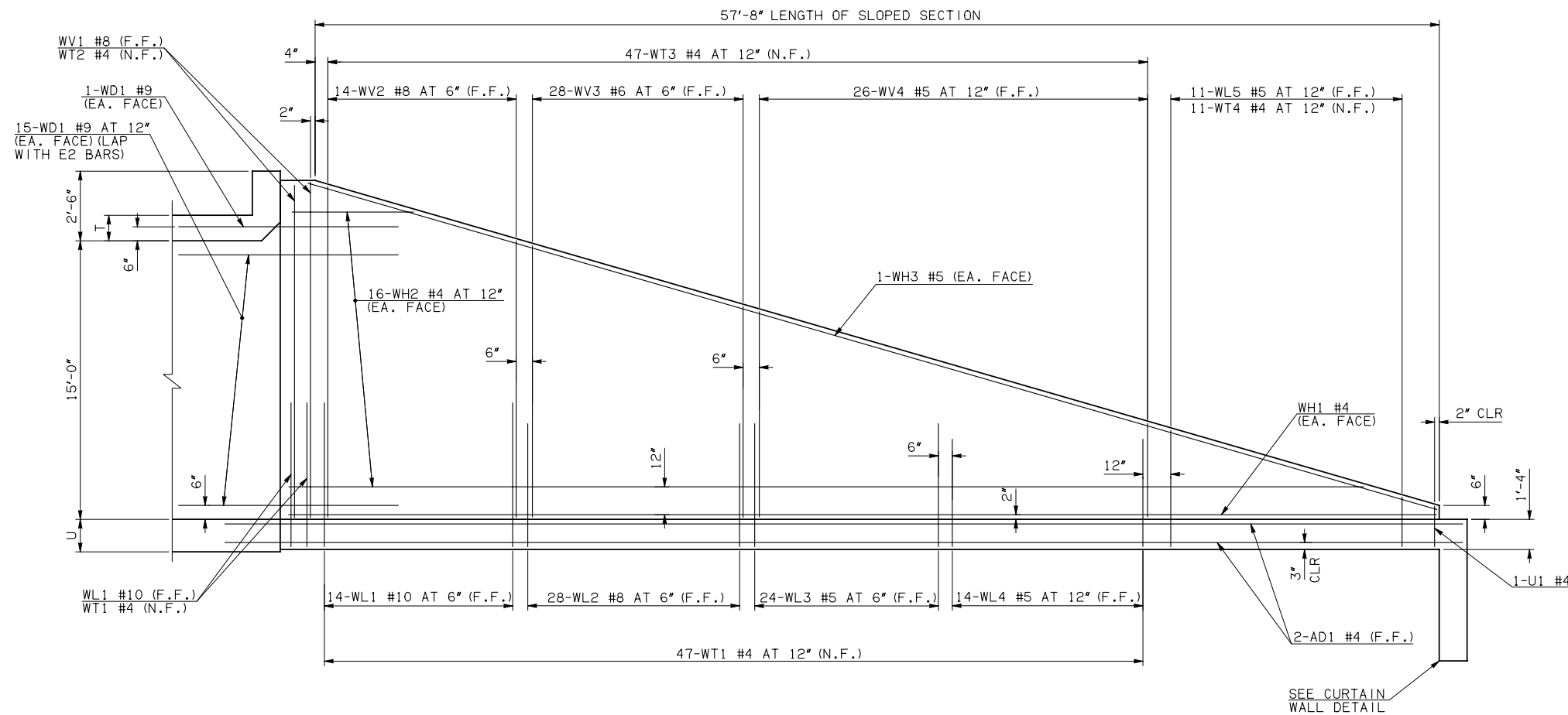
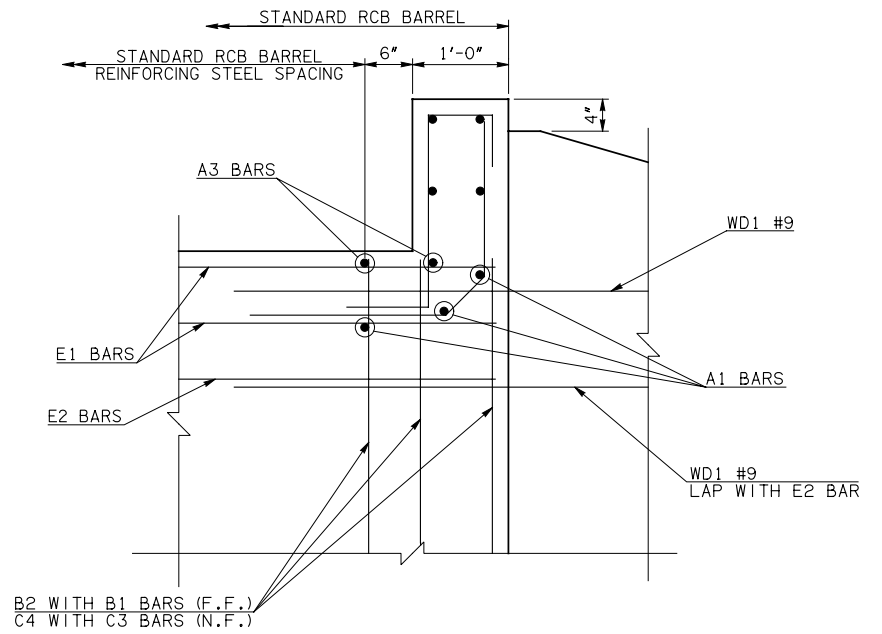


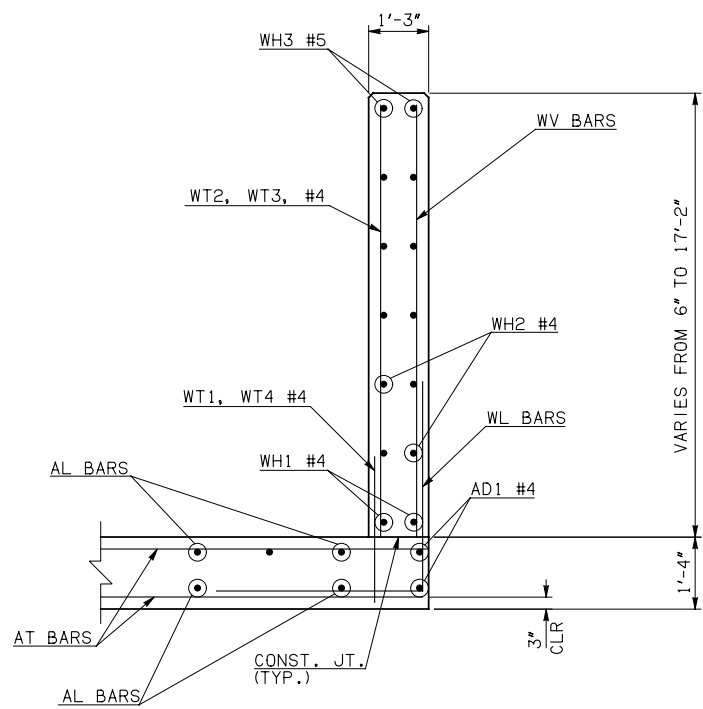
DESCRIPTION	REVISIONS	DATE



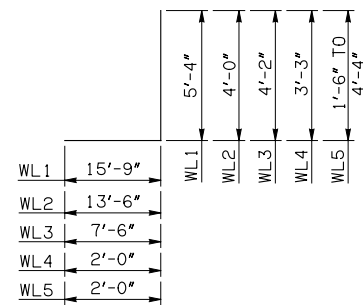
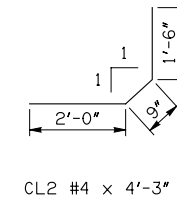
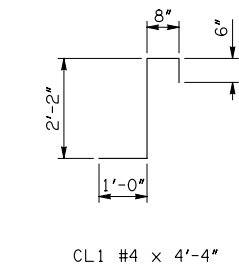
WING ELEVATION



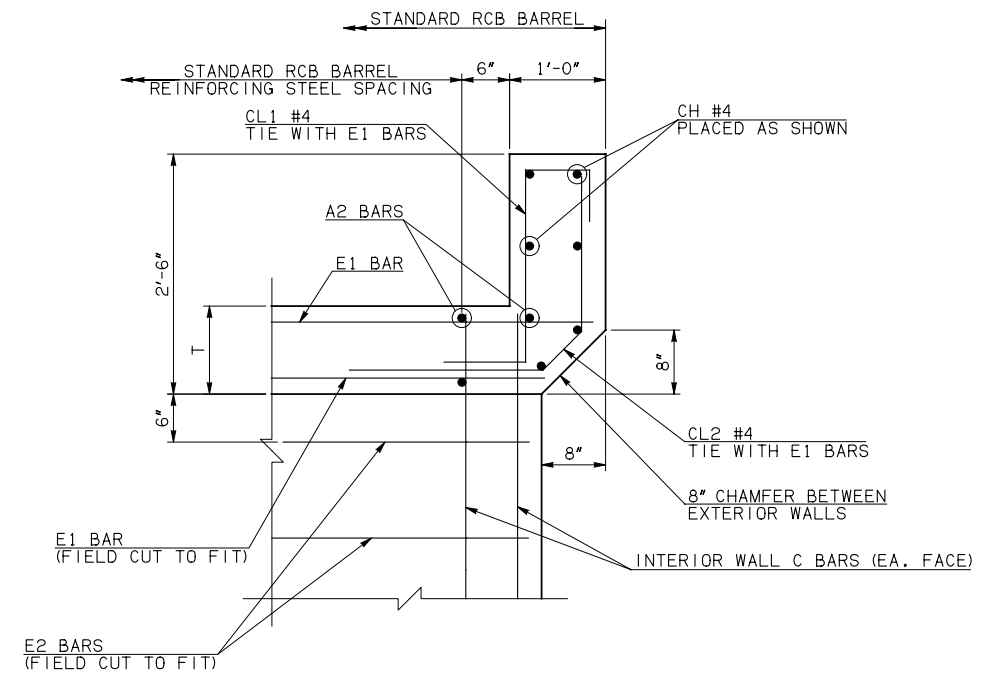
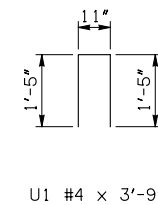
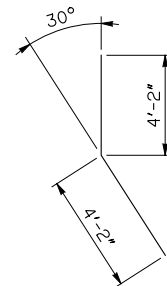
HEADWALL DETAIL AT EXTERIOR WALL



TYPICAL SECTION THRU WING



WL1 #10 x 21'-1"  
WL2 #8 x 17'-6"  
WL3 #5 x 11'-8"  
WL4 #5 x 5'-3"  
WL5 #5 x 4'-11" AVG.



HEADWALL DETAIL AT INTERIOR WALL

APPROVED BY BRIDGE ENGINEER *Robert J. Nisch* DATE 4/09/09

OKLAHOMA DEPT. OF TRANSPORTATION  
BRIDGE STANDARD (ENGLISH)  
RCB CULVERTS - END SECTION DETAILS  
TRIPLE CELL - 15'-0" HEIGHT - 0°  
SHEET NO. 2 OF 2