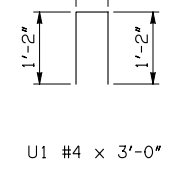
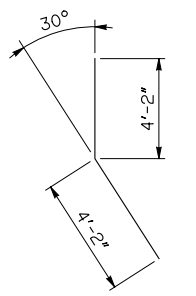
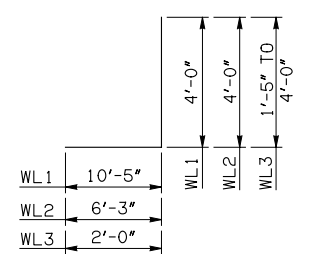
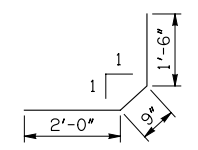
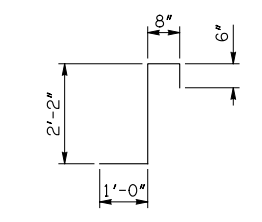
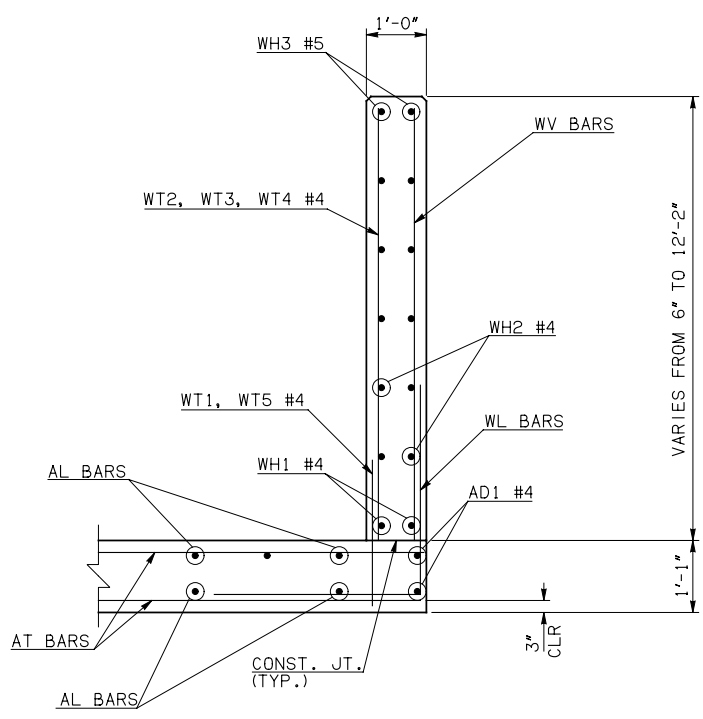
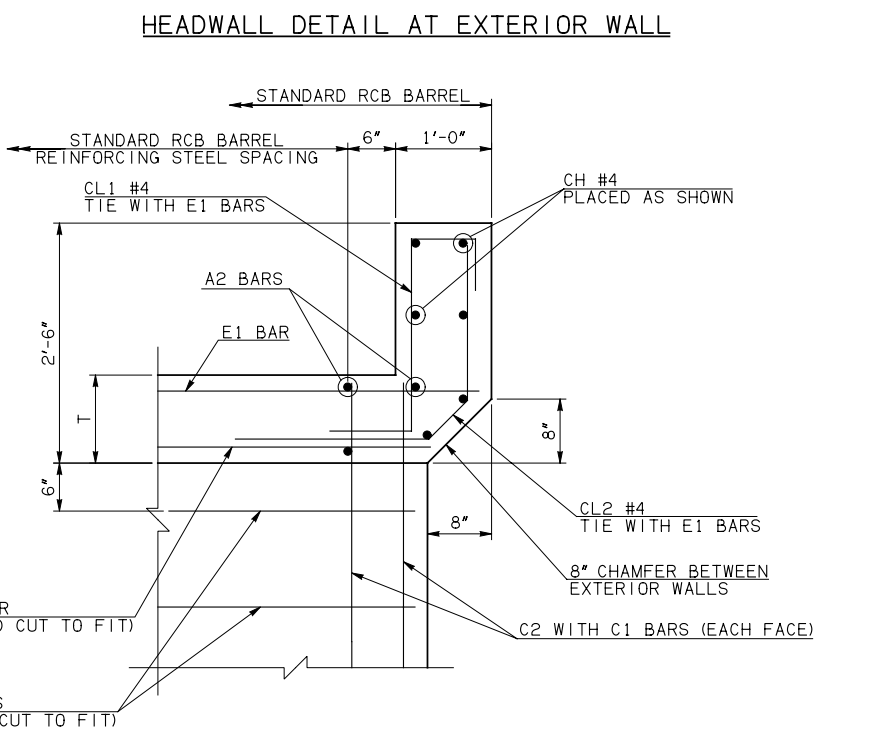
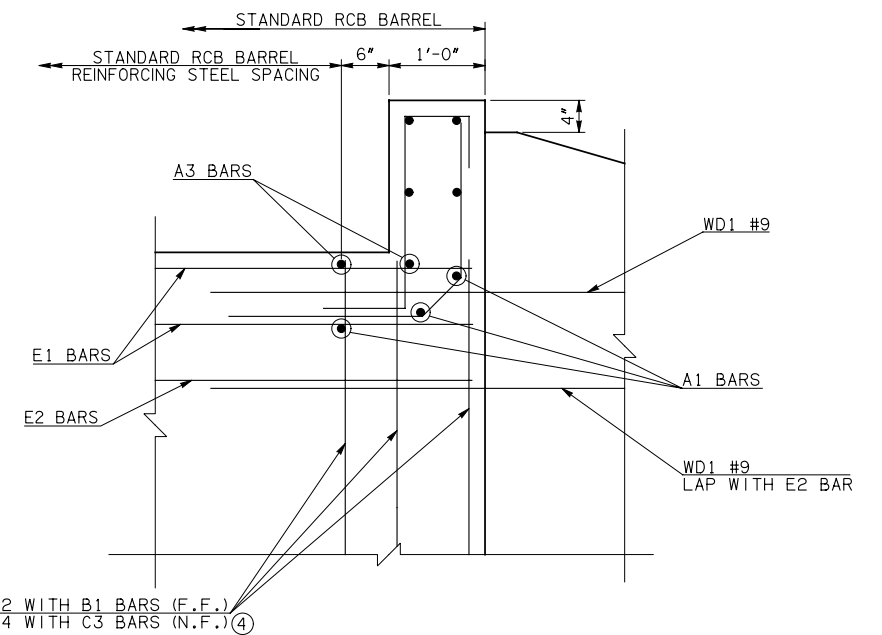
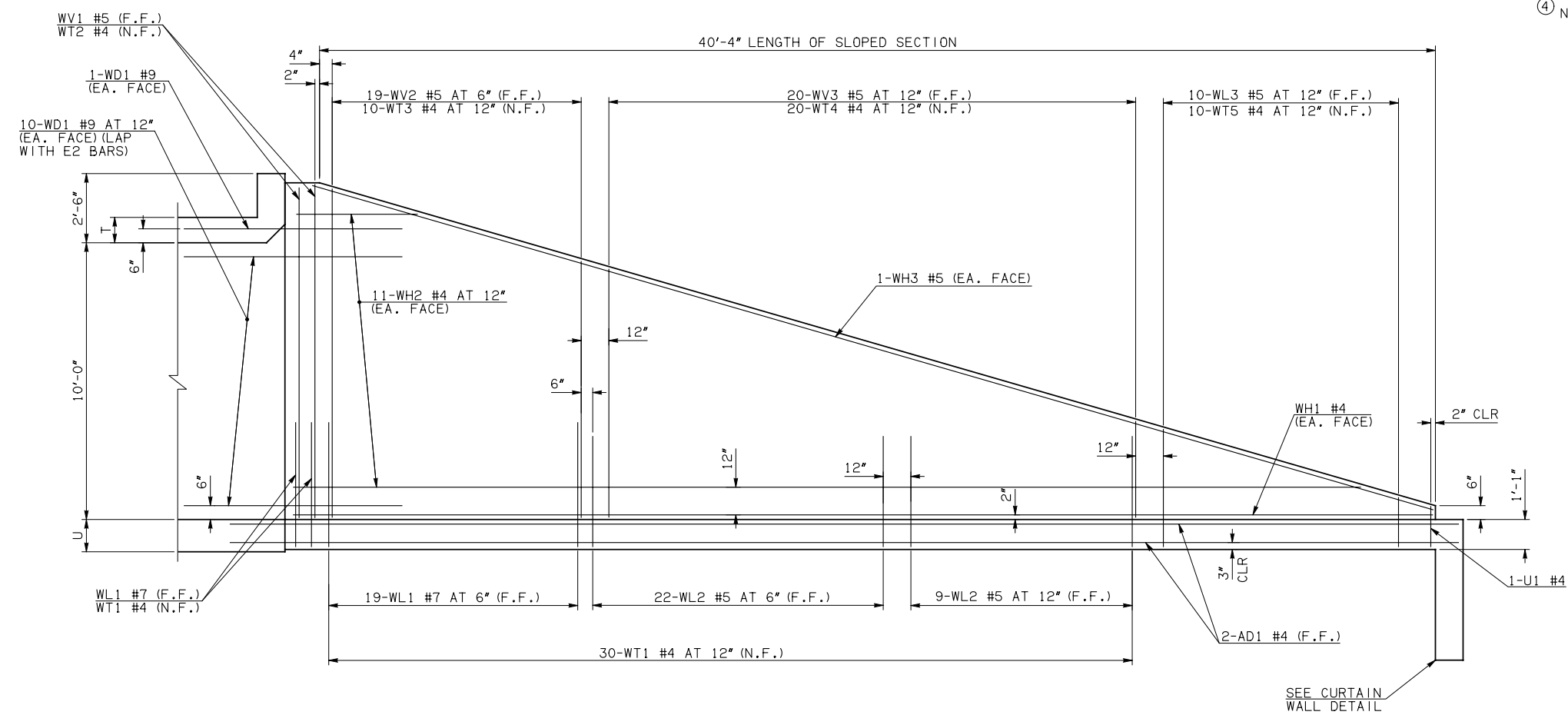


DESCRIPTION	REVISIONS	DATE

④ NOTE: TO CONSTRUCT ONE END SECTION AS SHOWN, THE FOLLOWING BARS ARE REQUIRED IN ADDITION TO THOSE CALLED IN THE RCB BARREL STANDARD:

2-C3 BARS  
2-C4 BARS  
ADDITIONAL WEIGHT IS INCLUDED IN QUANTITIES.



APPROVED BY BRIDGE ENGINEER *Robert J. Muech* DATE 4/09/09

**OKLAHOMA DEPT. OF TRANSPORTATION**  
**BRIDGE STANDARD (ENGLISH)**  
**RCB CULVERTS - END SECTION DETAILS**  
**TRIPLE CELL - 10'-0" HEIGHT - 0°**  
SHEET NO. 2 OF 2

1999 SPECIFICATIONS	RCB-E3-H10-0-2	OOE
---------------------	----------------	-----

B-643E