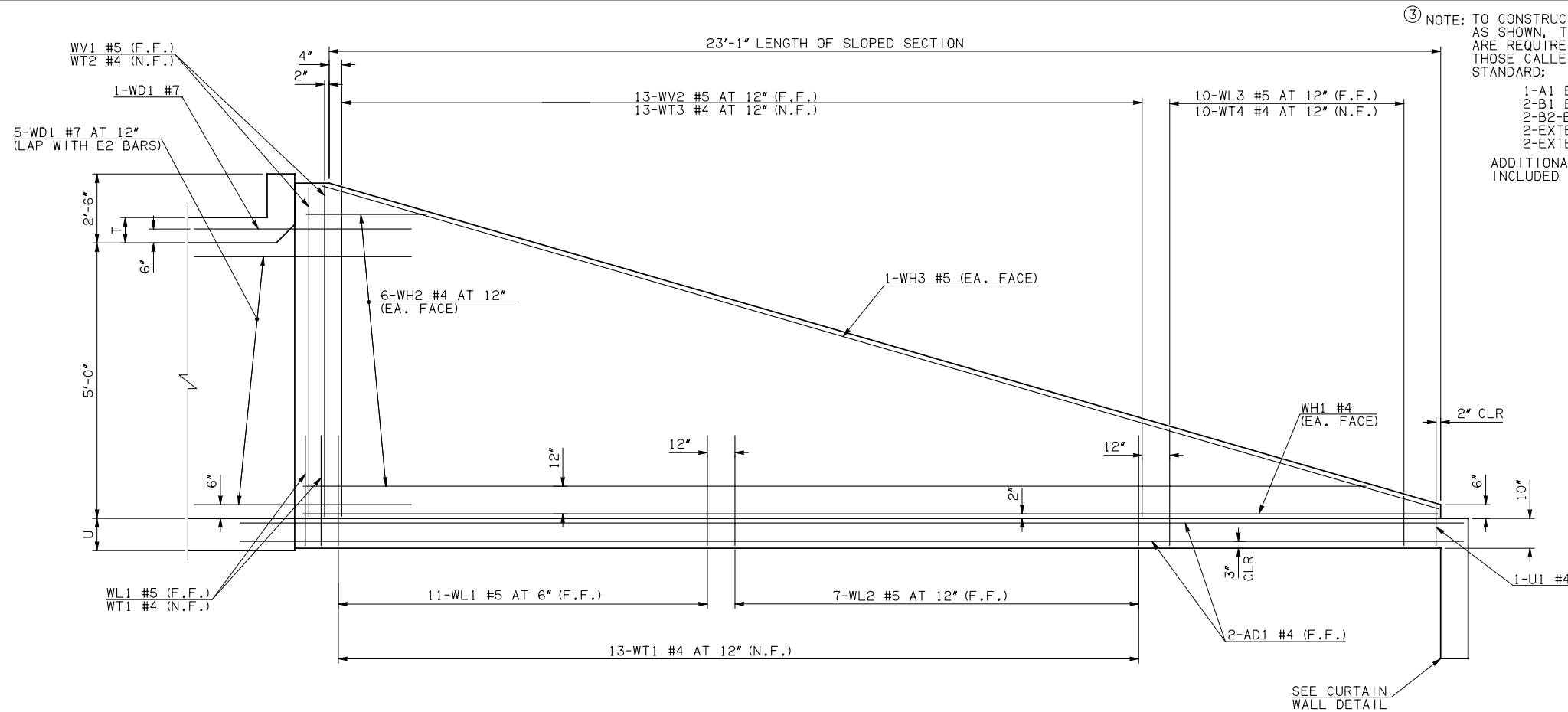
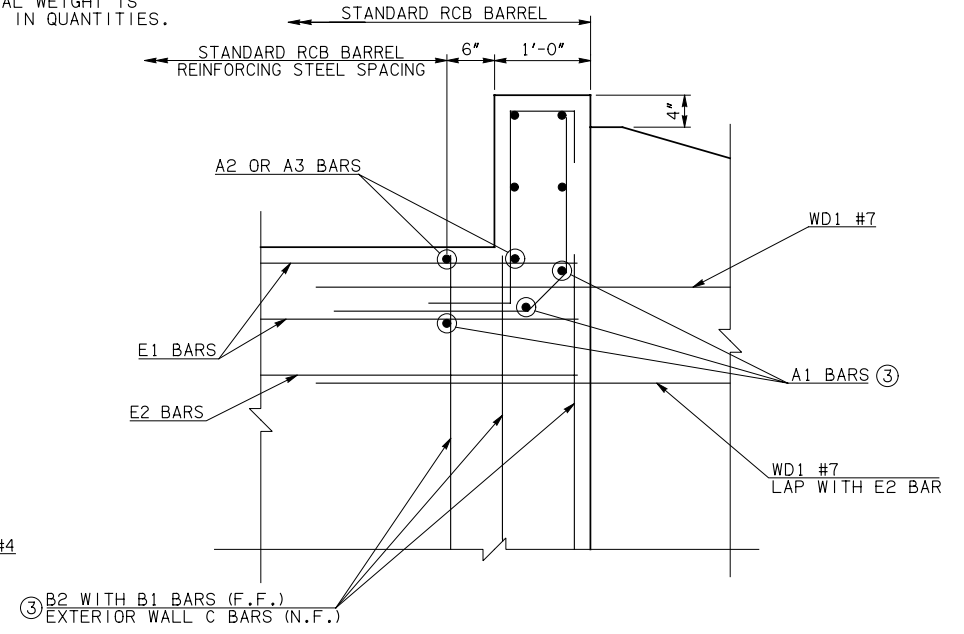


DESCRIPTION	REVISIONS	DATE



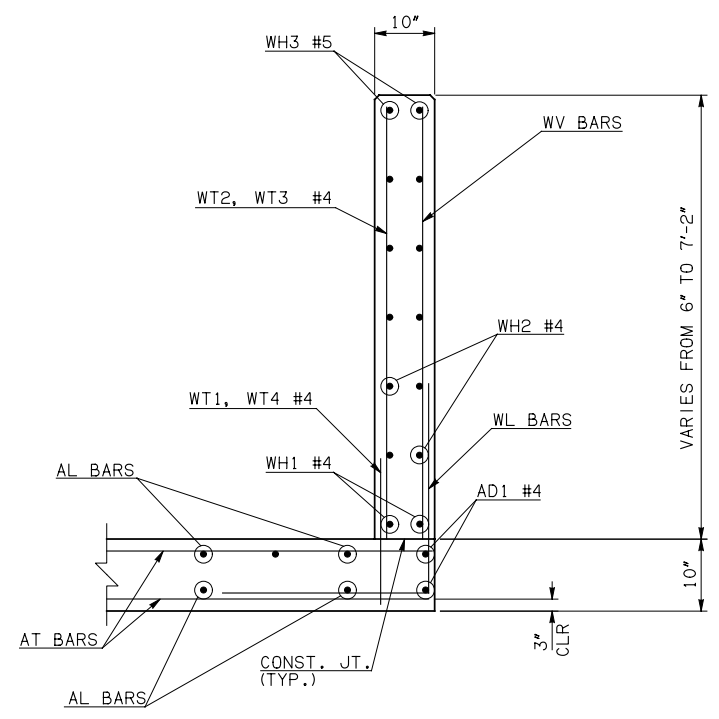
③ NOTE: TO CONSTRUCT ONE END SECTION AS SHOWN, THE FOLLOWING BARS ARE REQUIRED IN ADDITION TO THOSE CALLED IN THE RCB BARREL STANDARD:
 1-A1 BARS
 2-B1 BARS
 2-B2 BARS
 2-EXTERIOR WALL C BARS
 2-EXTERIOR WALL C DOWEL BARS
 ADDITIONAL WEIGHT IS INCLUDED IN QUANTITIES.



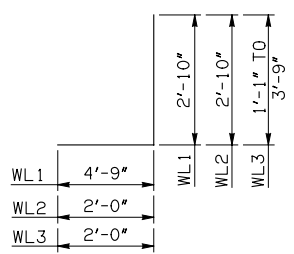
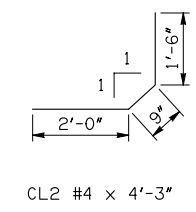
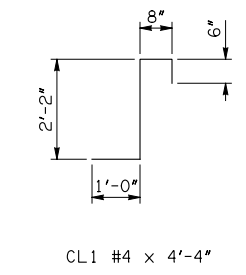
HEADWALL DETAIL AT EXTERIOR WALL

NOTE: F.F. = FAR FACE
 N.F. = NEAR FACE

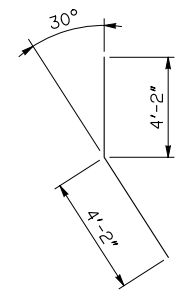
WING ELEVATION



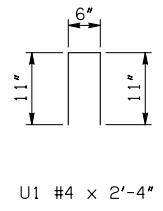
TYPICAL SECTION THRU WING



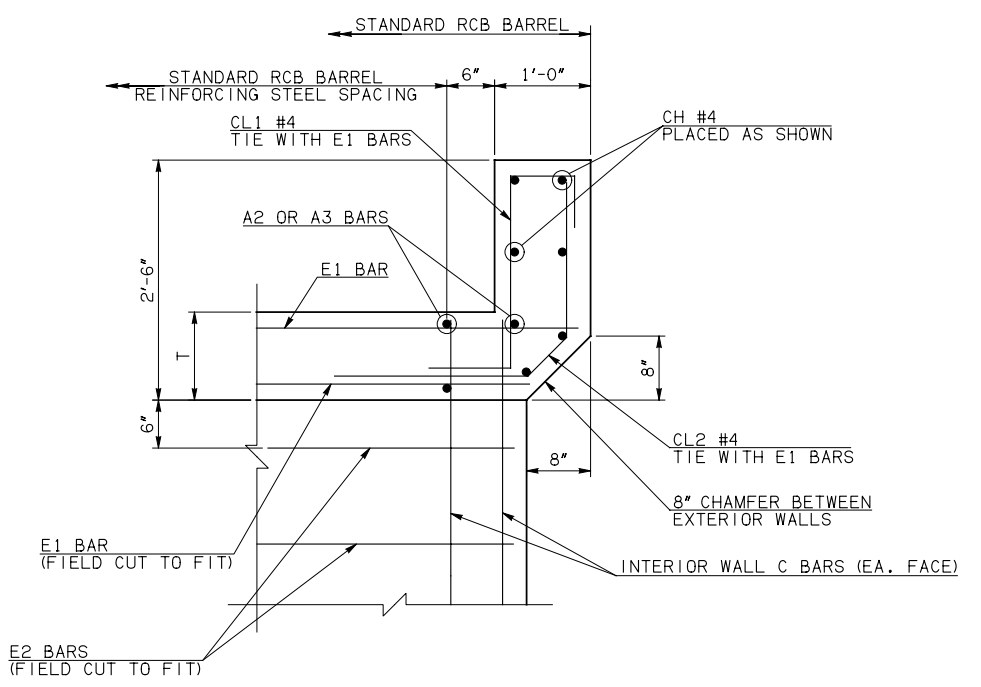
WL1 #5 x 7'-7"
 WL2 #5 x 4'-10"
 WL3 #5 x 4'-5" AVG.



WD1 #7 x 8'-4"



U1 #4 x 2'-4"



HEADWALL DETAIL AT INTERIOR WALL

APPROVED BY BRIDGE ENGINEER *Robert J. Nuss* DATE 4/09/09

OKLAHOMA DEPT. OF TRANSPORTATION
 BRIDGE STANDARD (ENGLISH)
 RCB CULVERTS - END SECTION DETAILS
 TRIPLE CELL - 5'-0" HEIGHT - 0°
 SHEET NO. 2 OF 2

1999 SPECIFICATIONS	RCB-E3-H5-0-2	OOE
---------------------	---------------	-----