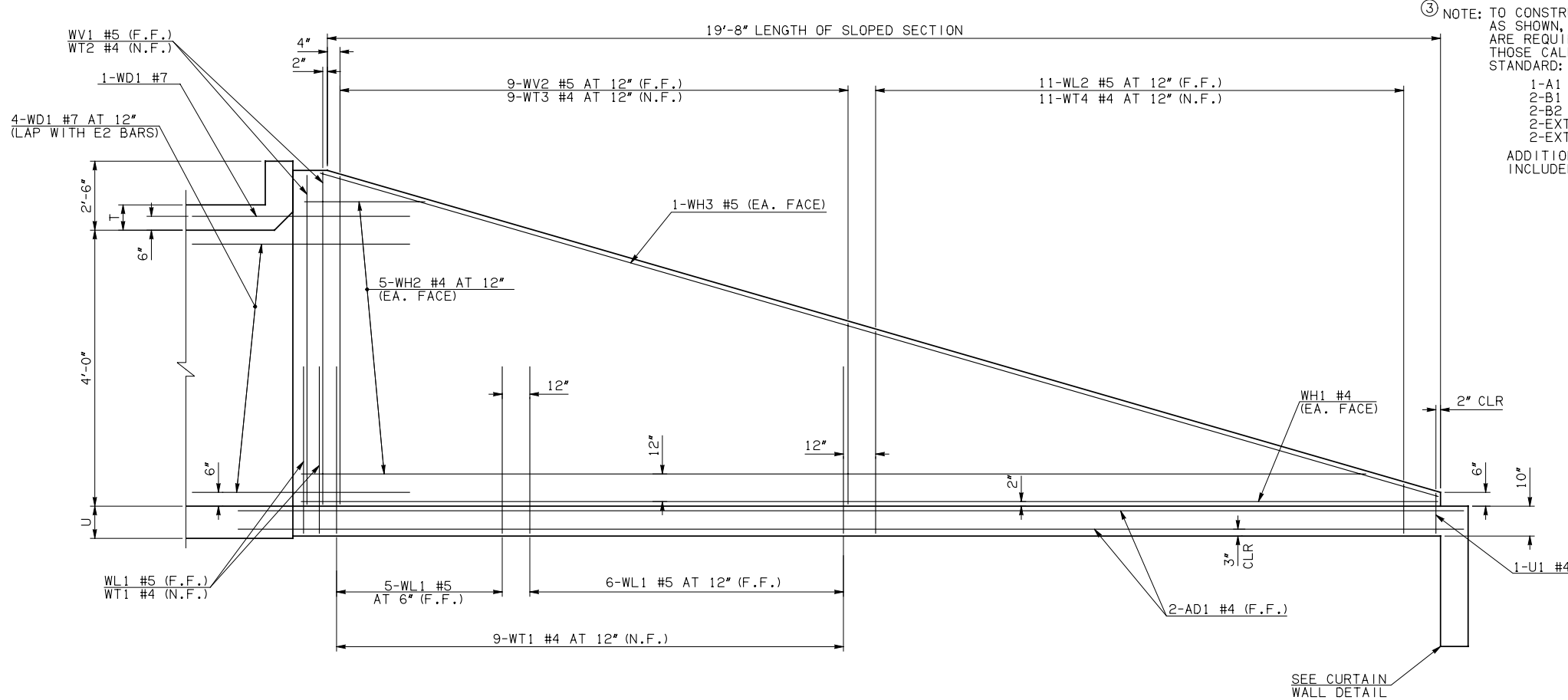
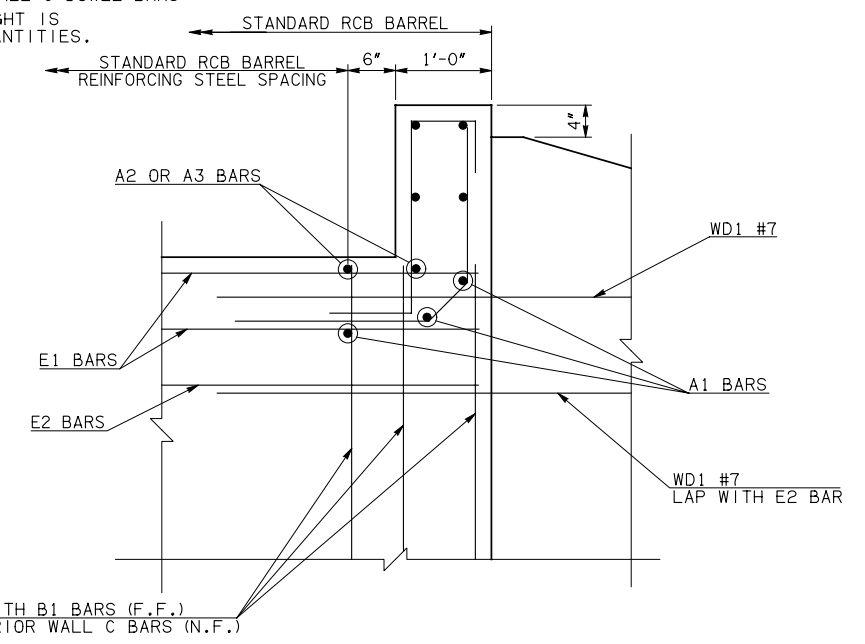


DESCRIPTION	REVISIONS	DATE

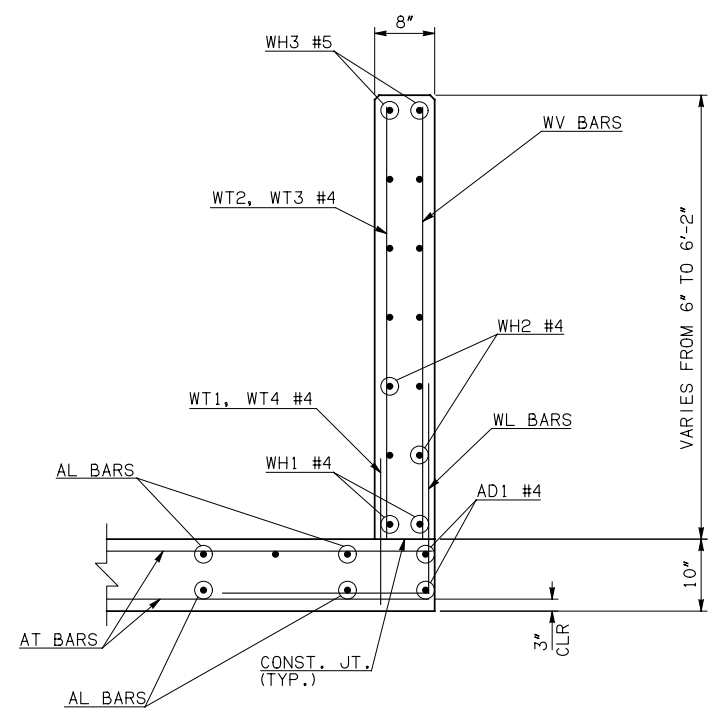


NOTE: F.F. = FAR FACE
 N.F. = NEAR FACE

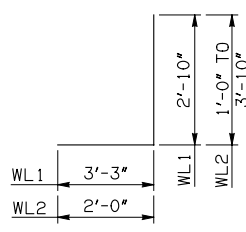
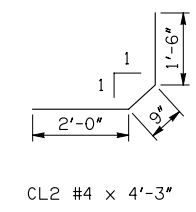
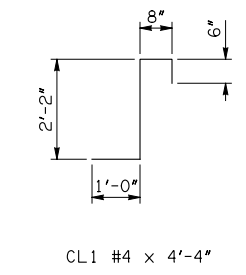
WING ELEVATION



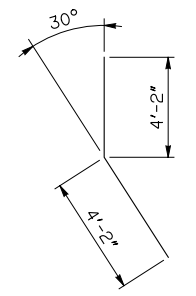
HEADWALL DETAIL AT EXTERIOR WALL



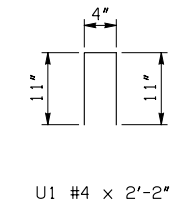
TYPICAL SECTION THRU WING



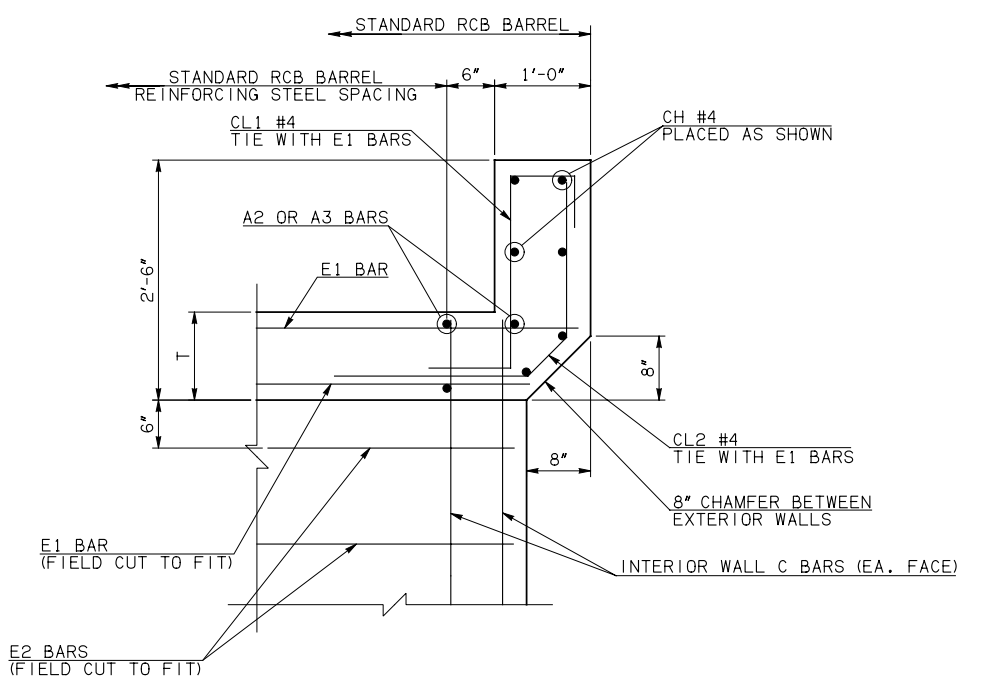
WL1 #5 x 6'-1"
 WL2 #5 x 4'-5" AVG.



WD1 #7 x 8'-4"



U1 #4 x 2'-2"



HEADWALL DETAIL AT INTERIOR WALL

APPROVED BY BRIDGE ENGINEER *Robert J. Muech* DATE 4/09/09

OKLAHOMA DEPT. OF TRANSPORTATION
BRIDGE STANDARD (ENGLISH)
RCB CULVERTS - END SECTION DETAILS
TRIPLE CELL - 4'-0" HEIGHT - 0°
 SHEET NO. 2 OF 2

1999 SPECIFICATIONS	RCB-E3-H4-0-2	OOE
---------------------	---------------	-----

B-631E