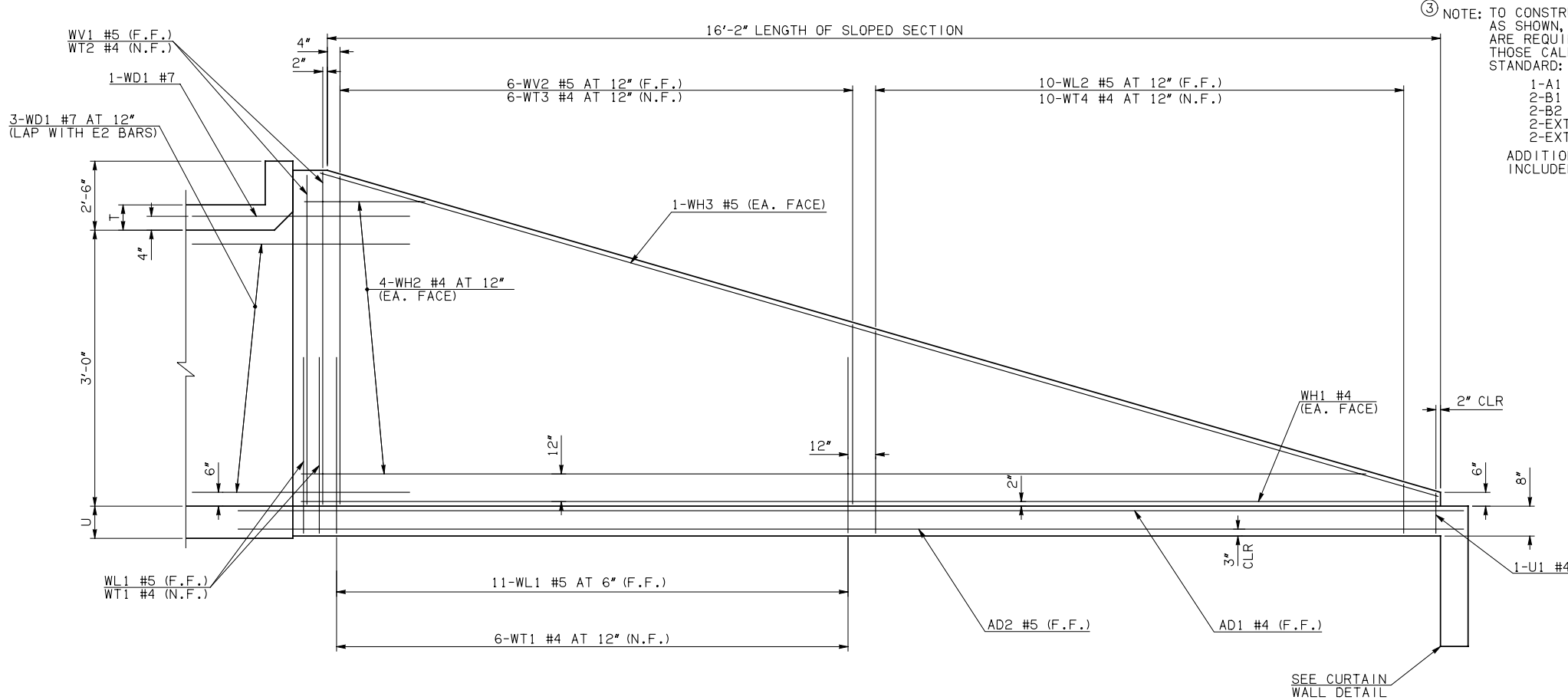
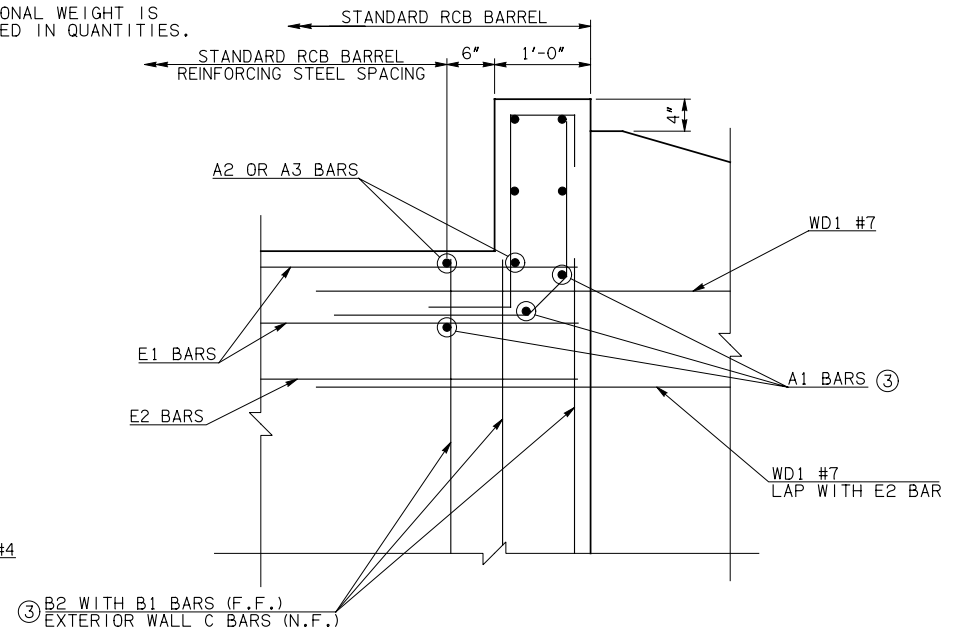


DESCRIPTION	REVISIONS	DATE

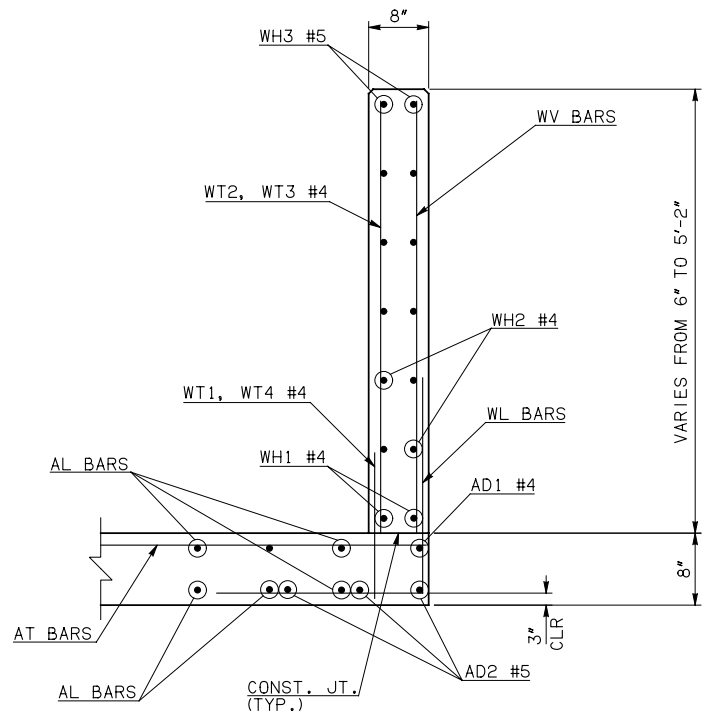


NOTE: F.F. = FAR FACE
N.F. = NEAR FACE

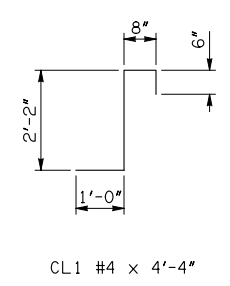
WING ELEVATION



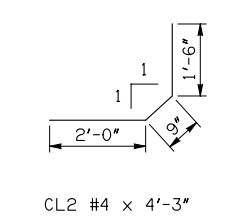
HEADWALL DETAIL AT EXTERIOR WALL



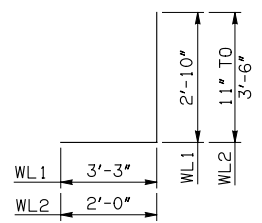
TYPICAL SECTION THRU WING



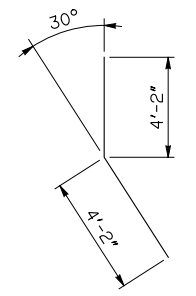
CL1 #4 x 4'-4"



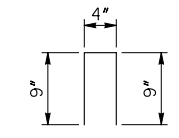
CL2 #4 x 4'-3"



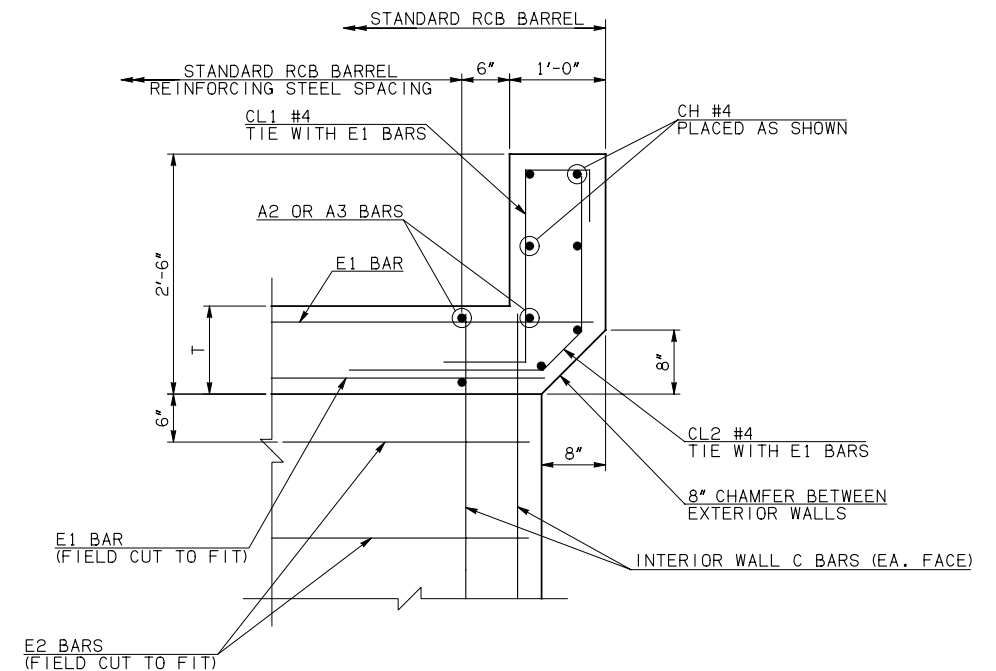
WL1 #5 x 6'-1"
WL2 #5 x 4'-2 1/2" AVG.



WD1 #7 x 8'-4"



U1 #4 x 1'-10"



HEADWALL DETAIL AT INTERIOR WALL

APPROVED BY BRIDGE ENGINEER *Debra J. Nusch* DATE 4/09/09

OKLAHOMA DEPT. OF TRANSPORTATION
BRIDGE STANDARD (ENGLISH)
RCB CULVERTS - END SECTION DETAILS
TRIPLE CELL - 3'-0" HEIGHT - 0°
SHEET NO. 2 OF 2

1999 SPECIFICATIONS	RCB-E3-H3-0-2	OOE
---------------------	---------------	-----