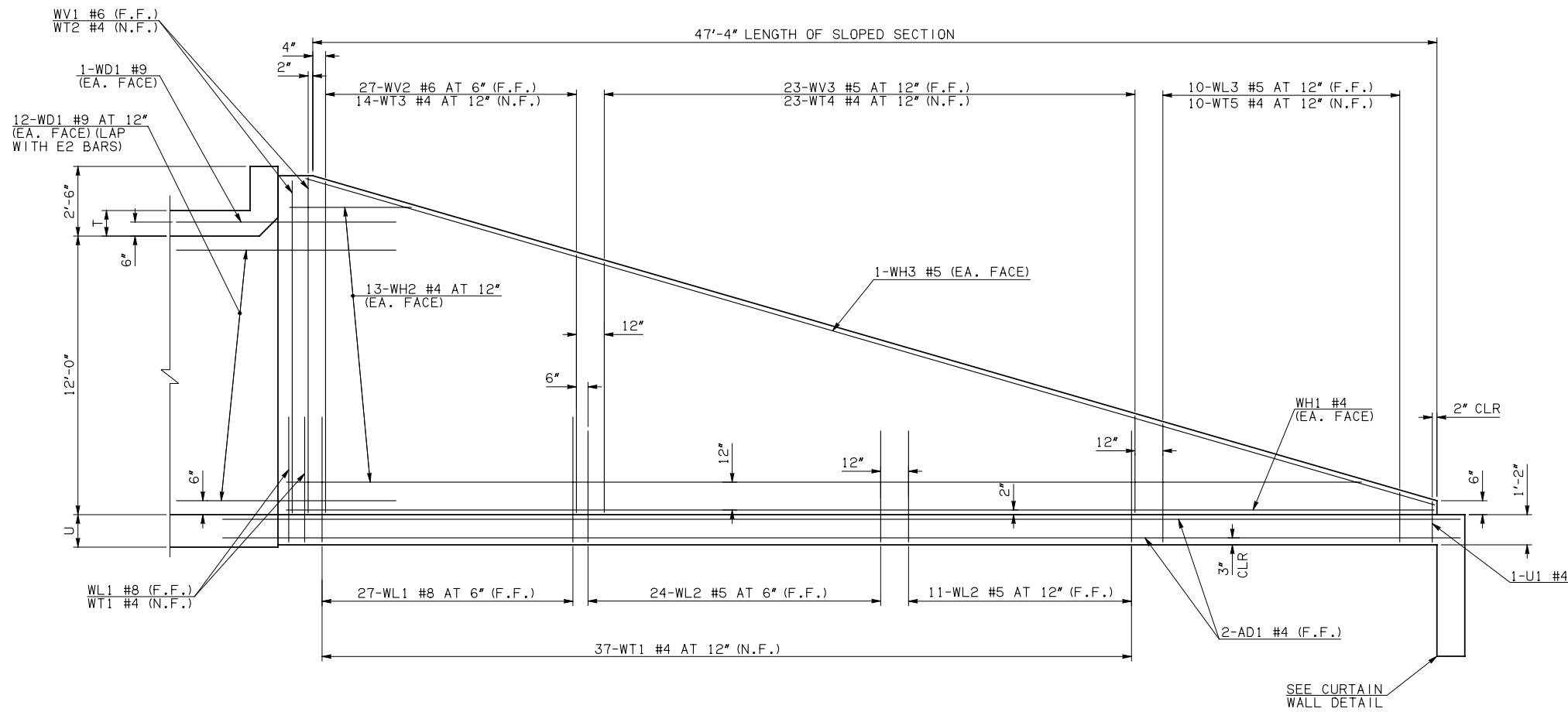


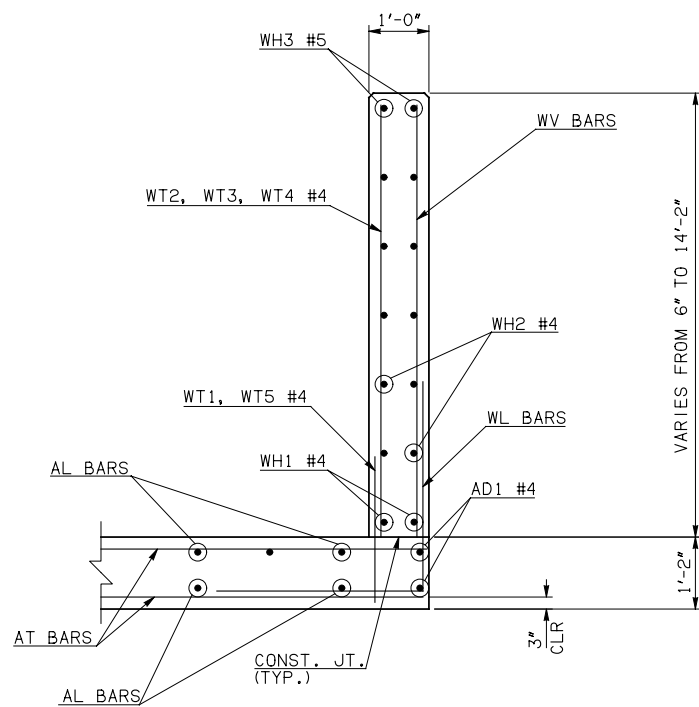
DESCRIPTION	REVISIONS	DATE

④ NOTE: TO CONSTRUCT ONE END SECTION AS SHOWN, THE FOLLOWING BARS ARE REQUIRED IN ADDITION TO THOSE CALLED IN THE RCB BARREL STANDARD:
 2-C3 BARS
 2-C4 BARS
 ADDITIONAL WEIGHT IS INCLUDED IN QUANTITIES.

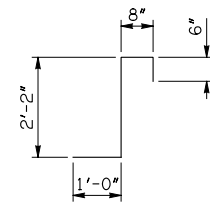


NOTE: F.F. = FAR FACE
 N.F. = NEAR FACE

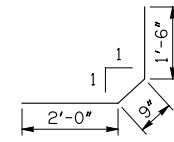
WING ELEVATION



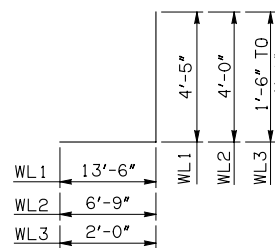
TYPICAL SECTION THRU WING



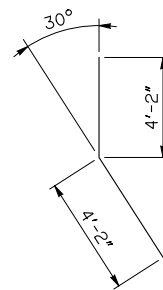
CL1 #4 x 4'-4"



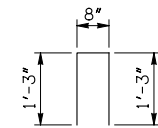
CL2 #4 x 4'-3"



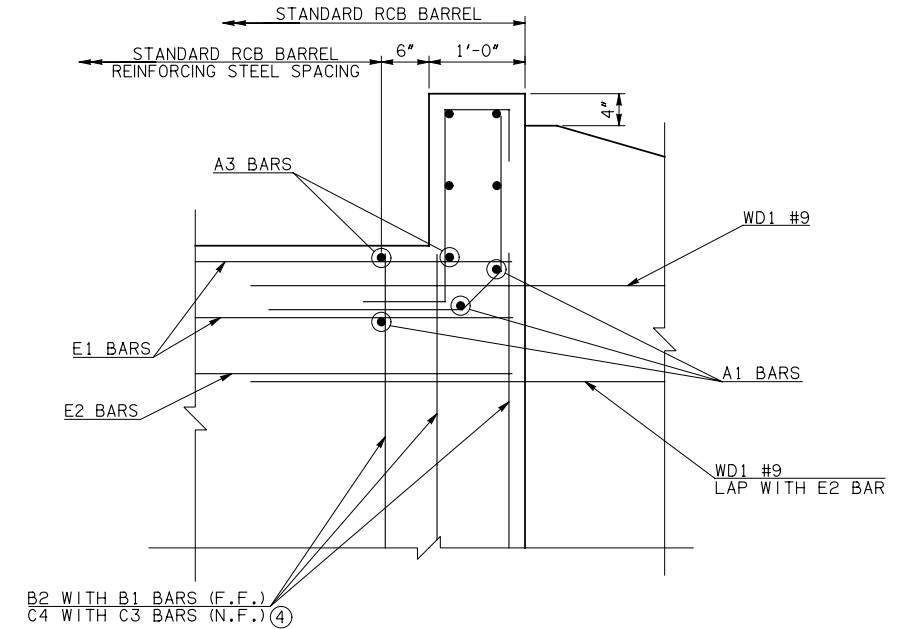
WL1 #8 x 17'-11"
 WL2 #5 x 10'-9"
 WL3 #5 x 4'-9 1/2" AVG.



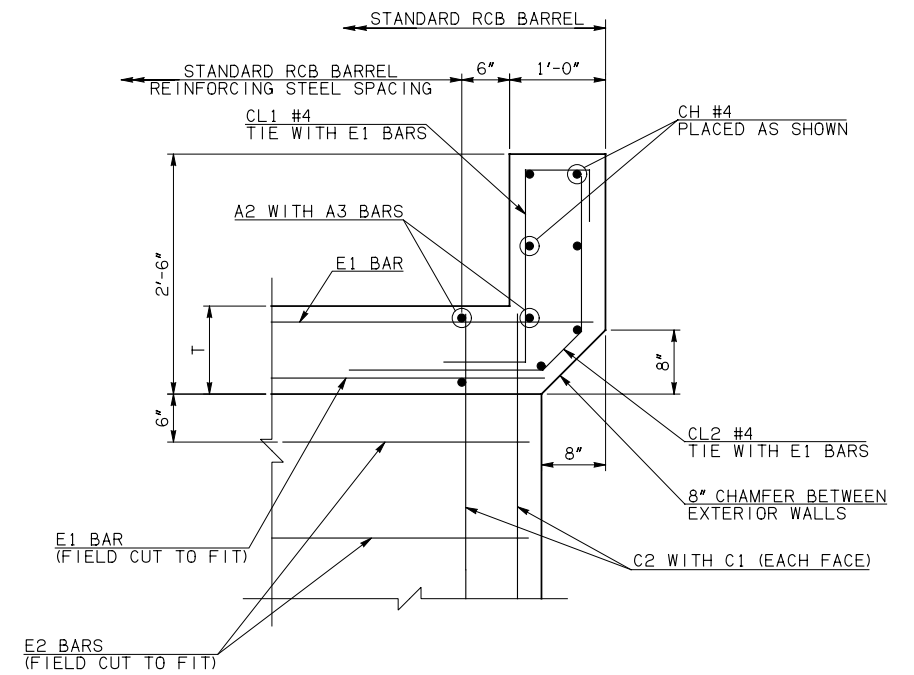
WD1 #9 x 8'-4"



U1 #4 x 3'-2"



HEADWALL DETAIL AT EXTERIOR WALL



HEADWALL DETAIL AT INTERIOR WALL

APPROVED BY BRIDGE ENGINEER *Robert J. Nisch* DATE 4/09/09

OKLAHOMA DEPT. OF TRANSPORTATION
 BRIDGE STANDARD (ENGLISH)
 RCB CULVERTS - END SECTION DETAILS
 DOUBLE CELL - 12'-0" HEIGHT - 0°
 SHEET NO. 2 OF 2