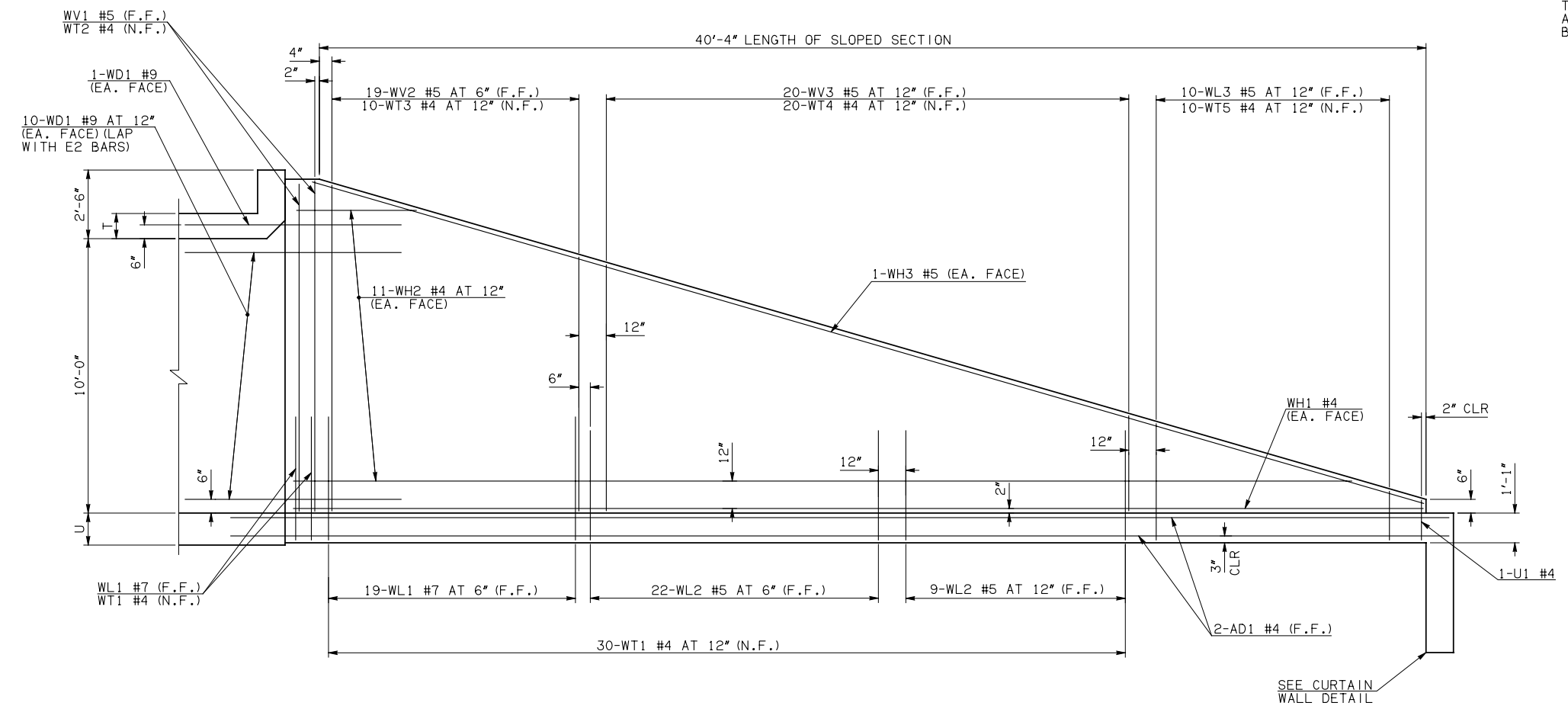


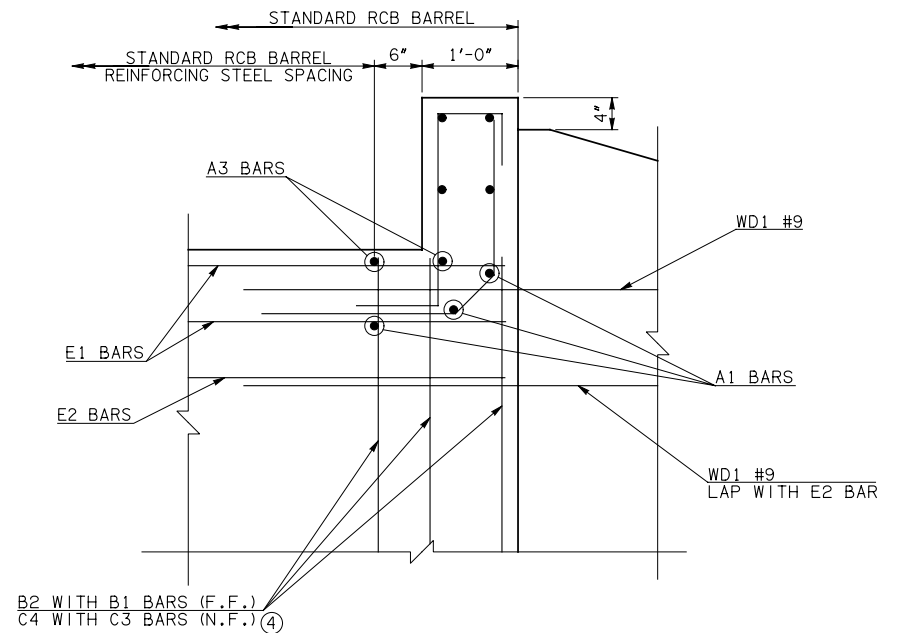
DESCRIPTION	REVISIONS	DATE

④ NOTE: TO CONSTRUCT ONE END SECTION AS SHOWN, THE FOLLOWING BARS ARE REQUIRED IN ADDITION TO THOSE CALLED IN THE RCB BARREL STANDARD:
 2-C3 BARS
 2-C4 BARS
 ADDITIONAL WEIGHT IS INCLUDED IN QUANTITIES.

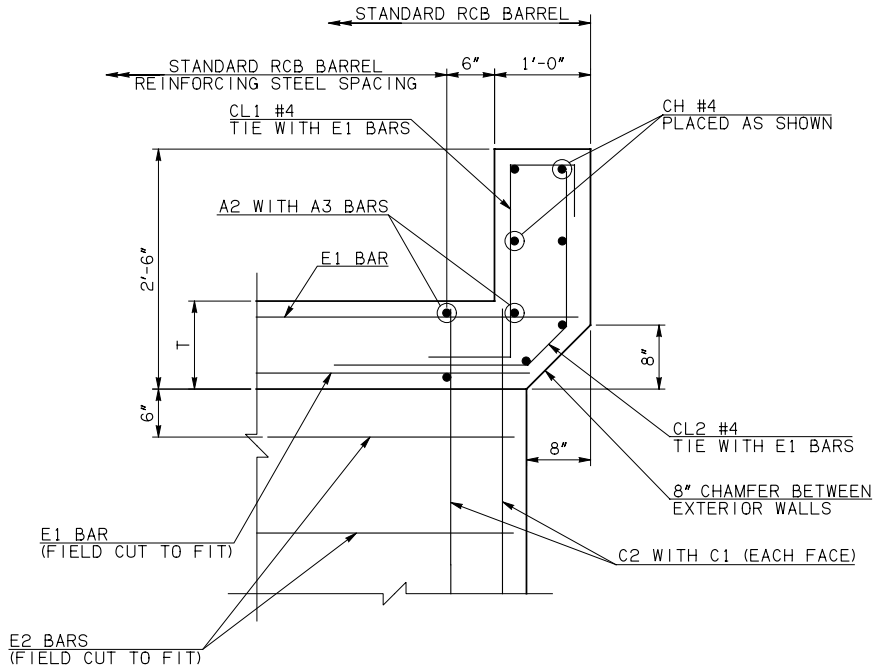


NOTE: F.F. = FAR FACE
 N.F. = NEAR FACE

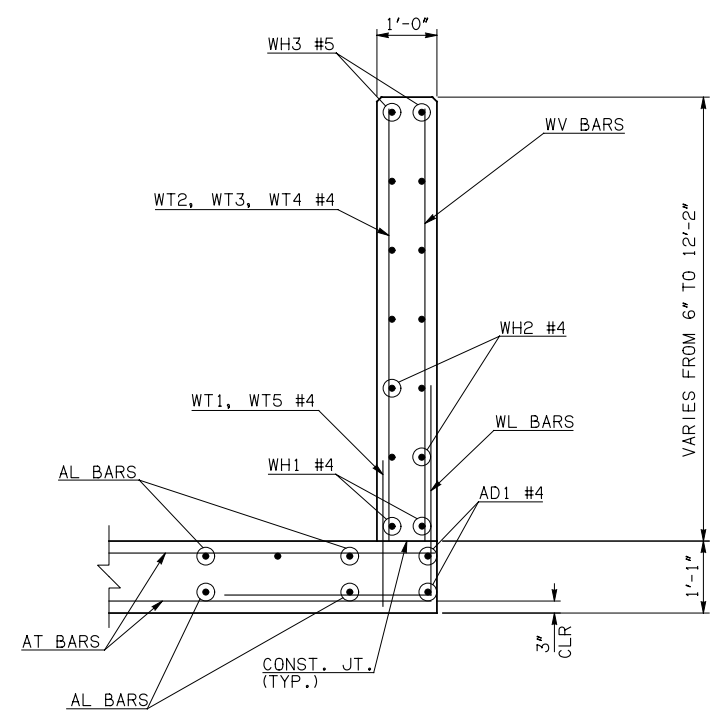
WING ELEVATION



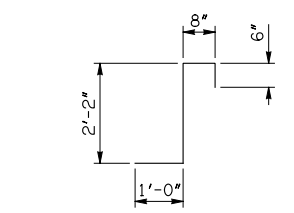
HEADWALL DETAIL AT EXTERIOR WALL



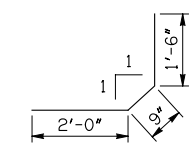
HEADWALL DETAIL AT INTERIOR WALL



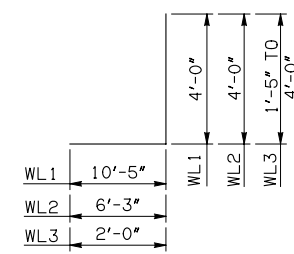
TYPICAL SECTION THRU WING



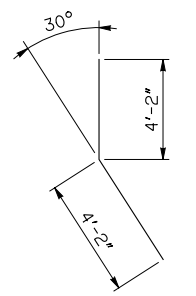
CL1 #4 x 4'-4"



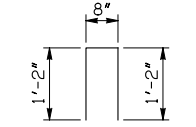
CL2 #4 x 4'-3"



WL1 #7 x 14'-5"
 WL2 #5 x 10'-3"
 WL3 #5 x 4'-8 1/2" AVG.



WD1 #9 x 8'-4"



U1 #4 x 3'-0"

APPROVED BY BRIDGE ENGINEER *Debra J. Nisch* DATE 4/09/09

OKLAHOMA DEPT. OF TRANSPORTATION
BRIDGE STANDARD (ENGLISH)
 RCB CULVERTS - END SECTION DETAILS
 DOUBLE CELL - 10'-0" HEIGHT - 0°
 SHEET NO. 2 OF 2

1999 SPECIFICATIONS	RCB-E2-H10-0-2	OOE
---------------------	----------------	-----