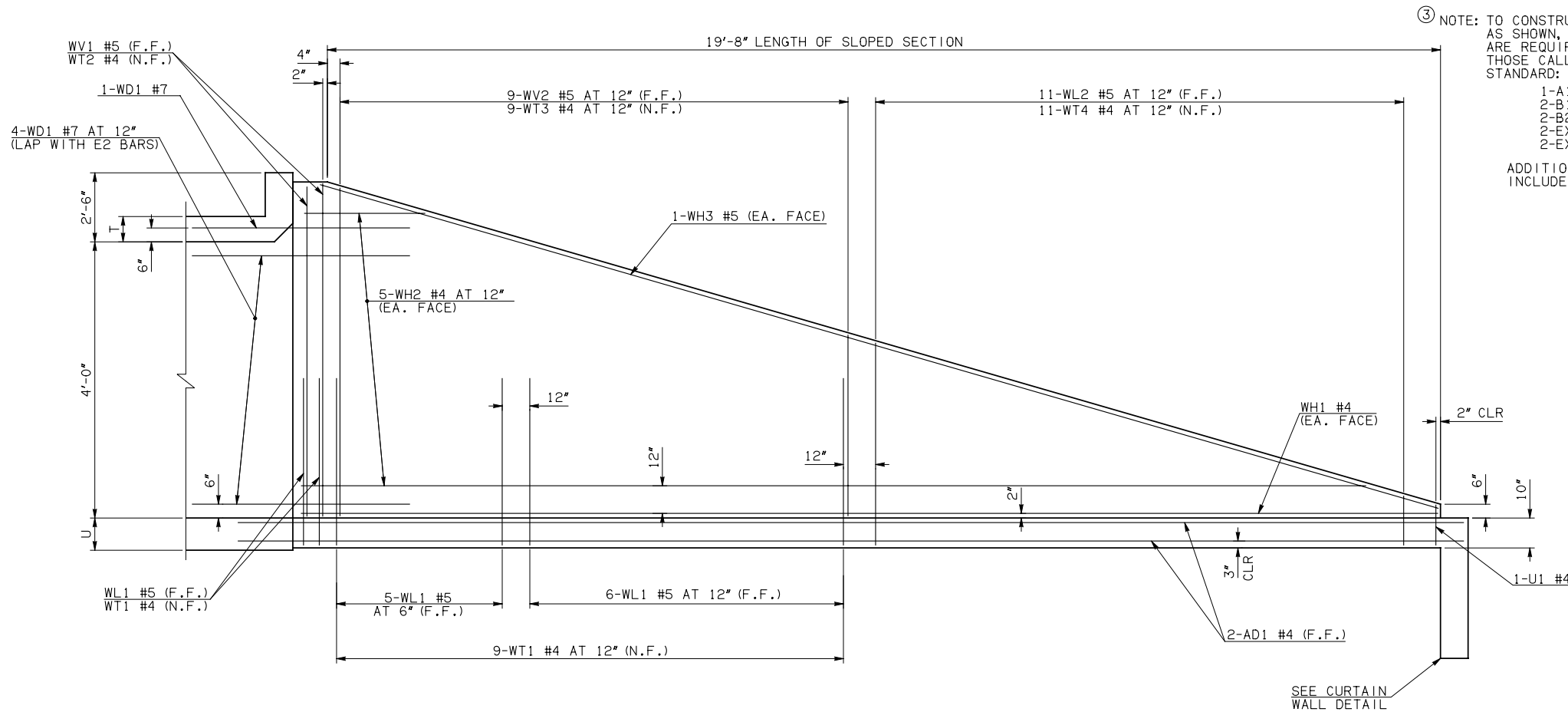


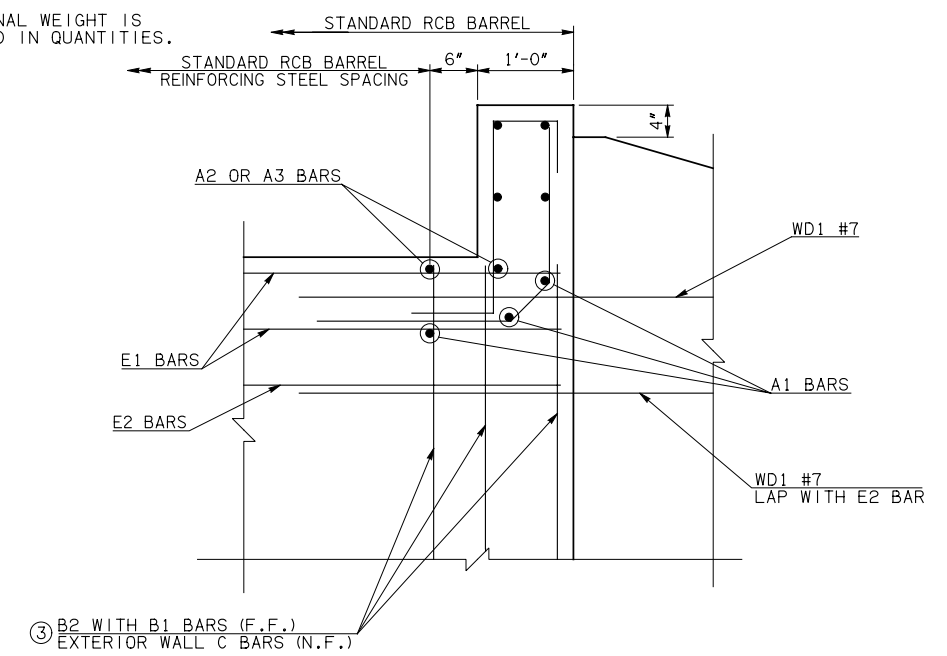
DESCRIPTION	REVISIONS	DATE



③ NOTE: TO CONSTRUCT ONE END SECTION AS SHOWN, THE FOLLOWING BARS ARE REQUIRED IN ADDITION TO THOSE CALLED IN THE RCB BARREL STANDARD:

- 1-A1 BAR
- 2-B1 BARS
- 2-B2 BARS
- 2-EXTERIOR WALL C BARS
- 2-EXTERIOR WALL C DOWEL BARS

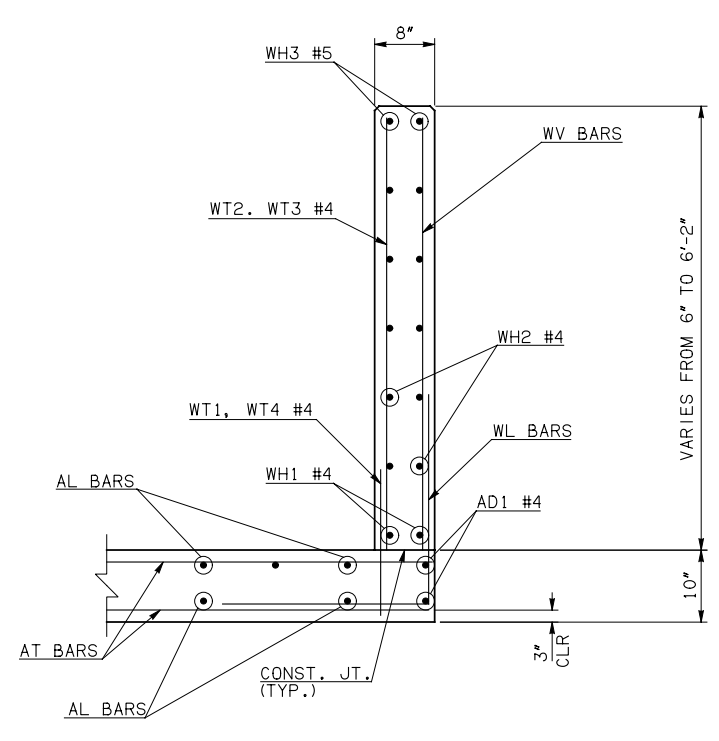
ADDITIONAL WEIGHT IS INCLUDED IN QUANTITIES.



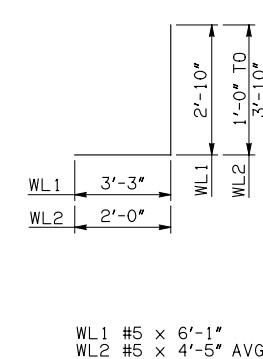
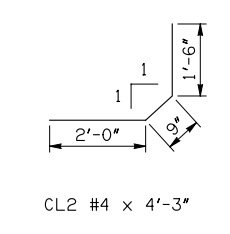
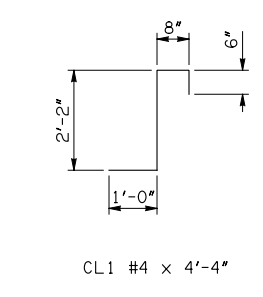
HEADWALL DETAIL AT EXTERIOR WALL

NOTE: F.F. = FAR FACE  
N.F. = NEAR FACE

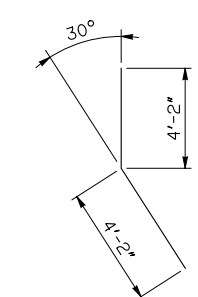
WING ELEVATION



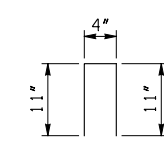
TYPICAL SECTION THRU WING



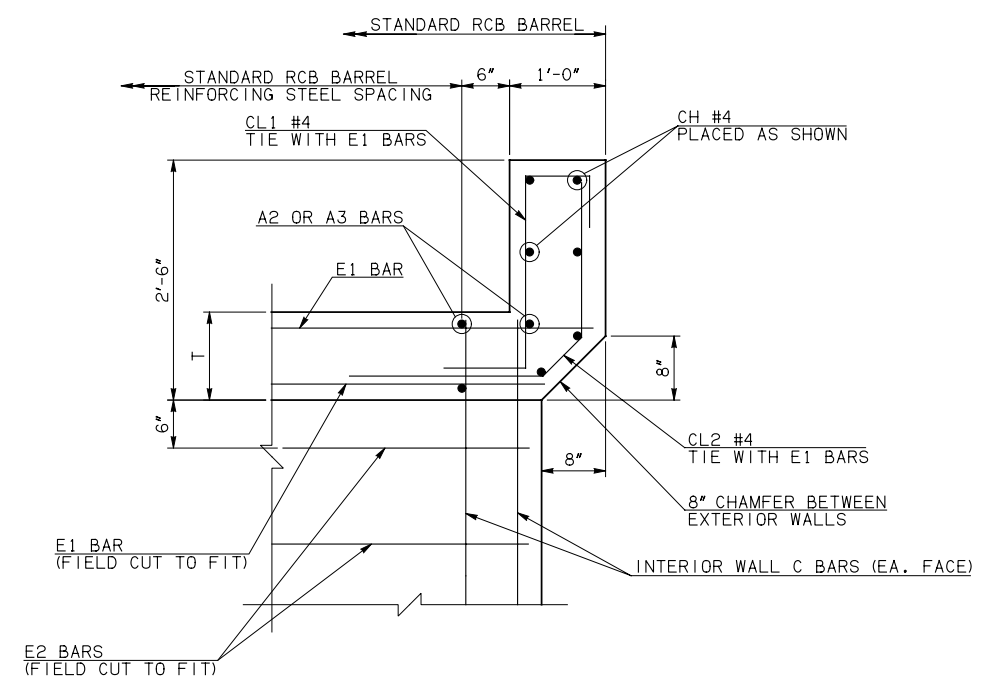
WL1 #5 x 6'-1"  
WL2 #5 x 4'-5" AVG.



WD1 #7 x 8'-4"



U1 #4 x 2'-2"



HEADWALL DETAIL AT INTERIOR WALL

APPROVED BY BRIDGE ENGINEER *Robert J. Muech* DATE 4/09/09

OKLAHOMA DEPT. OF TRANSPORTATION  
BRIDGE STANDARD (ENGLISH)  
RCB CULVERTS - END SECTION DETAILS  
DOUBLE CELL - 4'-0" HEIGHT - 0°  
SHEET NO. 2 OF 2

1999 SPECIFICATIONS	RCB-E2-H4-0-2	OOE
		B-603E